



A10 User Manual

V1.20

2012.4.9



Revision History

Version	Date	Section/ Page	Changes compared to previous issue
V1.00	2011-8-22		Initial version
V1.01	2011-11-17		Format changes
V1.10	2012-3-29	Audio Codec	Revise some description
V1.20	2012-4-9	USB	Revise some description



Technical Items

NO.	Abbreviation	Full Name	Description
1	ARM Cortex™-A8	ARM Cortex™-A8	A processor core designed by ARM Holdings implementing the ARM v7 instruction set architecture
2	Mali-400	Mali-400	A 2D/3D graphic processor unit designed by ARM Holdings
3	SDRAM	Synchronous Dynamic Random Access Memory	Dynamic random access memory (DRAM) that is synchronized with the system bus
4	PWM	Pulse Width Modulator	A commonly used technique for controlling power to inertial electrical devices, made practical by modern electronic power switches
5	SPI	Serial Peripheral Interface	A synchronous serial data link standard named by Motorola that operates in full duplex mode. Devices communicate in master/slave mode where the master device initiates the data frame
6	UART	Universal Asynchronous Receiver/Transmitter	Used for serial communication with a peripheral, modem (data carrier equipment, DCE) or data set
7	DMA	Dynamic-Memory-Allocation	The allocation of memory storage for use in a computer program during the run-time of that program
8	I2S	IIS	An electrical serial bus interface standard used for connecting digital audio devices together
9	PCM	Pulse Code Modulation	Method used to digitally represent sampled analog signals
10	AC97	Audio Codec 97	Intel Corporation's Audio Codec standard developed by the Intel Architecture Labs in 1997, and used mainly in motherboards, modems, and sound cards.
11	Audio Codec	Audio Codec	A computer program implementing an algorithm that compresses and decompresses digital audio data according to a given audio file format or streaming media audio format.
12	SD	Security Digital3.0	A non-volatile memory card format developed by the SD Card Association for use in portable devices.
		USB On-The-Go	Dual-role controller, which supports both Host



13	USB OTG		and device functions and is full compliant with the On-The-Go Supplement to the USB 2.0 Specification, Revision 1.0a
14	EHCI	Enhanced Host Controller Interface	A high-speed controller standard that is publicly specified
15	LRADC	Low Resolution Analog to Digital Converter	A module which can transfer analog signal to digital signal
16	TP	Touch Panel Controller	A Human-Machine Interactive Interface
17	TS	Transport Stream	A data stream defined by ISO13818-1, which consists of one or more programs with video and audio data.
18	CAN	Controller-area network	A vehicle bus standard designed to allow microcontrollers and devices to communicate with each other within a vehicle without a host computer
19	PATA	Parallel Advanced Technology Attachment	An old computer bus interface for connecting hard disk drivers, optical drivers, and compact flash card
20	SATA	Serial Advanced Technology Attachment	A computer bus interface for connecting host bus adapters to mass storage devices such as hard disk drives and optical drives.
21	CSI	Camera Sensor Interface	The hardware block that interfaces with different image sensor interfaces and provides a standard output that can be used for subsequent image processing.
22	HDMI	High-Definition Multimedia Interface	A compact audio/video interface for transmitting uncompressed digital data



Table of Contents

Revision History	1
Technical Items	2
1. Introduction	24
1.1. Feature	24
1.1.1. CPU	24
1.1.2. GPU	25
1.1.3. VPU	25
1.1.4. Display Processing Ability	25
1.1.5. Display Output Ability	25
1.1.6. Image Input Ability	26
1.1.7. Memory	26
1.1.8. Peripheral	26
1.1.9. System	27
1.1.10. Security	27
1.1.11. Package	27
2. Pin Description	27
2.1. Pin Placement Table	27
2.2. Pin Detail Description	27
3. Architecture	28
3.1. General Block Diagram	28
3.2. Memory Mapping	29
4. Boot Mode	32
4.1. Overview	32
4.2. Boot Diagram	33
5. System Mode	34
5.1. Overview	34
6. Clock Control Module	35
6.1. Overview	35
6.2. Clock Tree Diagram	35
6.3. CCM Register List	35
6.4. CCM Register Description	37
6.4.1. PLL1-Core(Default: 0x21005000)	37
6.4.2. PLL2-Audio (Default: 0x08100010)	38



6.4.3.	PLL2-Tuning (Default: 0x00000000)	39
6.4.4.	PLL3-Video 0(Default: 0x0010D063)	40
6.4.5.	PLL4-VE(Default: 0x21081000)	40
6.4.6.	PLL5-DDR(Default: 0x11049280)	41
6.4.7.	PLL6-NC(Default: 0x21009911)	42
6.4.8.	PLL6-Tuning (Default:)	43
6.4.9.	PLL7-Video 1(Default: 0x0010D063)	43
6.4.10.	PLL1-Tuning2 (Default: 0x00000000)	44
6.4.11.	PLL5-Tuning2(Default: 0x00000000)	44
6.4.12.	OSC24M (Default: 0x00138013).....	45
6.4.13.	CPU/AHB/APB0 Clock Ratio(Default: 0x00010010).....	45
6.4.14.	APB1 Clock Divide Ratio(Default: 0x00000000)	46
6.4.15.	AXI Module Clock Gating(Default: 0x00000000)	47
6.4.16.	AHB Module Clock Gating Register 0(Default: 0x00000000).....	47
6.4.17.	AHB Module Clock Gating Register 1(Default: 0x00000000).....	48
6.4.18.	APB0 Module Clock Gating(Default: 0x00000000).....	49
6.4.19.	APB1 Module Clock Gating(Default: 0x00000000).....	50
6.4.20.	NAND Clock(Default: 0x00000000).....	51
6.4.21.	SD/MMC 0 Clock(Default: 0x00000000).....	51
6.4.22.	SD/MMC 1 Clock(Default: 0x00000000).....	52
6.4.23.	SD/MMC 2 Clock(Default: 0x00000000).....	53
6.4.24.	SD/MMC 3 Clock(Default: 0x00000000).....	53
6.4.25.	TS Clock(Default: 0x00000000).....	54
6.4.26.	SS Clock(Default: 0x00000000)	55
6.4.27.	SPI0 Clock(Default: 0x00000000).....	55
6.4.28.	SPI1 Clock(Default: 0x00000000).....	56
6.4.29.	SPI2 Clock(Default: 0x00000000).....	57
6.4.30.	IR 0 Clock(Default: 0x00000000).....	57
6.4.31.	IR 1 Clock(Default: 0x00000000).....	58
6.4.32.	IIS Clock(Default: 0x00000000).....	59
6.4.33.	AC97 Clock(Default: 0x00030000)	59
6.4.34.	Keypad Clock(Default: 0x0000001F)	60
6.4.35.	NC Clock(Default: 0x00000000)	60
6.4.36.	USB Clock(Default: 0x00000000).....	61
6.4.37.	SPI3 Clock(Default: 0x00000000).....	61
6.4.38.	DRAM CLK(Default: 0x00000000)	62
6.4.39.	DE-BE 0 Clock(Default: 0x00000000).....	63
6.4.40.	DE-BE 1 Clock(Default: 0x00000000).....	64
6.4.41.	DE-FE 0 Clock(Default: 0x00000000)	64
6.4.42.	DE-FE 1 Clock(Default: 0x00000000)	65
6.4.43.	DE-MP Clock(Default: 0x00000000)	66
6.4.44.	LCD 0 CH0 Clock(Default: 0x00000000)	66
6.4.45.	LCD 1 CH0 Clock(Default: 0x00000000)	67
6.4.46.	CSI-ISP(Default: 0x00000000).....	67



- 6.4.47. TVD Clock(Default: 0x00000000) 68
- 6.4.48. LCD 0 CH1 Clock(Default: 0x00000000) 68
- 6.4.49. LCD 1 CH1 Clock(Default: 0x00000000) 69
- 6.4.50. CSI 0 Clock(Default: 0x00000000) 70
- 6.4.51. CSI 1 Clock(Default: 0x00000000) 71
- 6.4.52. VE Clock(Default: 0x00000000) 72
- 6.4.53. Audio Codec Clock(Default: 0x00000000) 72
- 6.4.54. AVS Clock(Default: 0x00000000) 73
- 6.4.55. ACE Clock(Default: 0x00000000)..... 73
- 6.4.56. LVDS Clock(Default: 0x00000000) 74
- 6.4.57. HDMI Clock(Default: 0x00000000)..... 74
- 6.4.58. Mali400 Clock(Default: 0x00000000)..... 74
- 7. System Control 75**
 - 7.1. Overview 75
 - 7.2. System Control Register List 76
 - 7.3. System Control Register 76
 - 7.3.1. SRAM Control Register 0(Default: 0x7FFFFFFF) 76
 - 7.3.2. SRAM Control Register 1(Default: 0x00001300) 76
- 8. TrustZone Protection Controller Unit..... 78**
 - 8.1. Overview 78
 - 8.2. TZPC Configuration 78
 - 8.3. TZPC Register List 78
 - 8.4. TZPC Register..... 79
 - 8.4.1. TZPC R0SIZE Register(Default : 0x00000010) 79
 - 8.4.2. TZPC DECPORT0Status Register(Default : 0x00000000)..... 79
 - 8.4.3. TZPC DECPORT0Set Register(Default : 0x00000000) 79
 - 8.4.4. TZPC DECPORT0Clear Register(Default : 0x00000000)..... 80
 - 8.4.5. CPU Control Register(Default :0x00000002)..... 80
- 9. Pulse Width Modulator 81**
 - 9.1. Overview 81
 - 9.2. PWM Register List..... 81
 - 9.3. PWM Register Description 81
 - 9.3.1. PWM Control Register (Default: 0x00000000) 81
 - 9.3.2. PWM Channel 0 Period Register 83
 - 9.3.3. PWM Channel 1 Period Register 84
- 10. Timer Controller 85**
 - 10.1. Overview 85



10.2.	Timer Register List.....	85
10.3.	Timer Programmable Register	86
10.3.1.	Timer IRQ Enable Register(Default: 0x00000000)	86
10.3.2.	Timer IRQ Status Register(Default: 0x00000000).....	87
10.3.3.	Timer 0 Control Register(Default: 0x00000004)	88
10.3.4.	Timer 0 Interval Value Register	89
10.3.5.	Timer 0 Current Value Register.....	89
10.3.6.	Timer 1 Control Register(Default: 0x00000004)	90
10.3.7.	Timer 1 Interval Value Register	91
10.3.8.	Timer 1 Current Value Register.....	91
10.3.9.	Timer 2 Control Register(Default: 0x00000004)	91
10.3.10.	Timer 2 Interval Value Register	92
10.3.11.	Timer 2 Current Value Register.....	93
10.3.12.	Timer 3 Control Register(Default: 0x00000000)	93
10.3.13.	Timer 3 Interval Value.....	93
10.3.14.	Timer 4 Control Register(Default: 0x00000004)	94
10.3.15.	Timer 4 Interval Value Register	95
10.3.16.	Timer 4 Current Value Register.....	95
10.3.17.	Timer 5 Control Register(Default: 0x00000004)	95
10.3.18.	Timer 5 Interval Value Register	96
10.3.19.	Timer 5 Current Value Register.....	97
10.3.20.	AVS Counter Control Register(Default: 0x00000000)	97
10.3.21.	AVS Counter 0 Register(Default: 0x00000000).....	98
10.3.22.	AVS Counter 1 Register(Default: 0x00000000).....	98
10.3.23.	AVS Counter Divisor Register(Default: 0x05DB05DB).....	98
10.3.24.	Watch Dog Control Register	99
10.3.25.	Watch-Dog Mode Register(Default: 0x00000000)	99
10.3.26.	64-bit Counter Low Register(Default: 0x00000000)	100
10.3.27.	64-bit Counter High Register(Default: 0x00000000).....	100
10.3.28.	64-bit Counter Control Register(Default: 0x00000000)	101
10.3.29.	LOSC Control(Default: 0x00004000).....	101
10.3.30.	RTC YY-MM-DD(Default: 0x00000000).....	102
10.3.31.	RTC HH-MM-SS	103
10.3.32.	Alarm Counter DD-HH-MM-SS.....	103
10.3.33.	Alarm Week HH-MM-SS.....	104
10.3.34.	Alarm Enable	104
10.3.35.	Alarm IRQ Enable.....	106
10.3.36.	Alarm IRQ Status Register.....	106
10.3.37.	Timer General Purpose Register 0	106
10.3.38.	Timer General Purpose Register 1	107
10.3.39.	Timer General Purpose Register 2	107
10.3.40.	Timer General Purpose Register 3	107
10.3.41.	CPU Config Register(Default: 0x000000C0)	107



11. Interrupt Controller..... 109

- 11.1. Overview 109
- 11.2. Interrupt Source..... 109
- 11.3. Interrupt Register List 111
- 11.4. Interrupt Programmable Register 112
 - 11.4.1. Interrupt Vector Register(Default: 0x00000000)..... 112
 - 11.4.2. Interrupt Base Address Register(Default: 0x00000000) 113
 - 11.4.3. Interrupt Protection Register(Default: 0x00000000)..... 113
 - 11.4.4. NMI Interrupt Control Register(Default: 0x00000000) 113
 - 11.4.5. Interrupt IRQ Pending Register 0(Default: 0x00000000) 114
 - 11.4.6. Interrupt IRQ Pending Register 1(Default: 0x00000000) 114
 - 11.4.7. Interrupt IRQ Pending Register 2(Default: 0x00000000) 114
 - 11.4.8. Interrupt FIQ Pending/Clear Register 0 (Default: 0x00000000)..... 114
 - 11.4.9. Interrupt FIQ Pending/Clear Register 1(Default: 0x00000000)..... 115
 - 11.4.10. Interrupt FIQ Pending/Clear Register 2(Default: 0x00000000)..... 115
 - 11.4.11. Interrupt Select Register 0(Default: 0x00000000) 115
 - 11.4.12. Interrupt Select Register 1(Default: 0x00000000) 116
 - 11.4.13. Interrupt Select Register 2(Default: 0x00000000) 116
 - 11.4.14. Interrupt Enable Register 0(Default: 0x00000000) 116
 - 11.4.15. Interrupt Enable Register 1(Default: 0x00000000) 116
 - 11.4.16. Interrupt Enable Register 2(Default: 0x00000000) 117
 - 11.4.17. Interrupt Mask Register 0(Default: 0x00000000) 117
 - 11.4.18. Interrupt Mask Register 1(Default: 0x00000000) 117
 - 11.4.19. Interrupt Mask Register 2(Default: 0x00000000) 117
 - 11.4.20. Interrupt Response Register 0(Default: 0x00000000)..... 118
 - 11.4.21. Interrupt Response Register 1(Default: 0x00000000)..... 118
 - 11.4.22. Interrupt Response Register 2(Default: 0x00000000)..... 118
 - 11.4.23. Interrupt Fast Forcing Register 0(Default: 0x00000000)..... 118
 - 11.4.24. Interrupt Fast Forcing Register 1(Default: 0x00000000)..... 119
 - 11.4.25. Interrupt Fast Forcing Register 2(Default: 0x00000000)..... 119
 - 11.4.26. Interrupt Source Priority 0 Register(Default: 0x00000000)..... 119
 - 11.4.27. Interrupt Source Priority 1 Register (Default: 0x00000000)..... 122
 - 11.4.28. Interrupt Source Priority 2 Register(Default: 0x00000000)..... 124
 - 11.4.29. Interrupt Source Priority 3 Register(Default: 0x00000000)..... 127
 - 11.4.30. Interrupt Source Priority 4 Register(Default: 0x00000000)..... 130

12. DMA Controller 134

- 12.1. Overview 134
- 12.2. DMA Register List 134
- 12.3. DMA Programmable Register 135
 - 12.3.1. DMA IRQ Enable Register(Default: 0x00000000)..... 135
 - 12.3.2. DMA IRQ Pending Status Register(Default: 0x00000000) 137



12.3.3.	NDMA Auto Gating Register(Default: 0x00000000)	140
12.3.4.	Normal DMA Configuration Register(Default: 0x00000000)	141
12.3.5.	Normal DMA Source Address Register (Default: 0x00000000).....	144
12.3.6.	Normal DMA Destination Address Register (Default: 0x00000000)	144
12.3.7.	Normal DMA Byte Counter Register (Default: 0x00000000)	144
12.3.8.	Dedicated DMA Configuration Register (Default: 0x00000000)	145
12.3.9.	Dedicated DMA Source Start Address Register(N=0:7)	148
12.3.10.	Dedicated DMA Destination Start Address Register.....	148
12.3.11.	Dedicated DMA Byte Counter Register.....	149
12.3.12.	Dedicated DMA Parameter Register	149
13.	SDRAM Controller	150
13.1.	Overview	150
14.	NAND Flash Controller	151
14.1.	Overview	151
15.	SD3.0 Controller.....	152
15.1.	Overview	152
15.2.	SD3.0 Timing Diagram	152
16.	Two Wire Interface	153
16.1.	Overview	153
16.2.	TWI Controller Timing Diagram	153
16.3.	TWI Controller Register List	154
16.4.	TWI Controller Register Description	154
16.4.1.	TWI Slave Address Register	154
16.4.2.	TWI Extend Address Register.....	155
16.4.3.	TWI Data Register	155
16.4.4.	TWI Control Register.....	155
16.4.5.	TWI Status Register	158
16.4.6.	TWI Clock Register	159
16.4.7.	TWI Soft Reset Register	159
16.4.8.	TWI Enhance Feature Register	160
16.4.9.	TWI Line Control Register	160
16.4.10.	TWI DVFS Control Register	161
16.5.	TWI Controller Special Requirement	161
16.5.1.	TWI Pin List.....	161
16.5.2.	TWI Controller Operation.....	162
17.	SPI Interface.....	163
17.1.	Overview	163



17.2. SPI Timing Diagram 163

17.3. SPI Register List 164

17.4. SPI Register Description 165

 17.4.1. SPI RX Data Register..... 165

 17.4.2. SPI TX Data Register..... 165

 17.4.3. SPI Control Register 165

 17.4.4. SPI Interrupt Control Register..... 168

 17.4.5. SPI Interrupt Status Register 170

 17.4.6. SPI DMA Control Register 172

 17.4.7. SPI Wait Clock Register..... 174

 17.4.8. SPI Clock Control Register..... 174

 17.4.9. SPI Burst Counter Register 175

 17.4.10. SPI Transmit Counter Register..... 175

 17.4.11. SPI FIFO Status Register 175

 17.4.12. SPI Special Requirement..... 176

 17.4.13. SPI Pin List 176

 17.4.14. SPI Module Clock Source and Frequency 176

18. UART Interface..... 178

 18.1. Overview 178

 18.2. UART Timing Diagram..... 179

 18.3. UART Register List..... 179

 18.4. UART Register Description 180

 18.4.1. UART Receiver Buffer Register 180

 18.4.2. UART Transmit Holding Register..... 180

 18.4.3. UART Divisor Latch Low Register..... 181

 18.4.4. UART Divisor Latch High Register..... 181

 18.4.5. UART Interrupt Enable Register..... 182

 18.4.6. UART Interrupt Identity Register..... 183

 18.4.7. UART FIFO Control Register 185

 18.4.8. UART Line Control Register 186

 18.4.9. UART Modem Control Register 188

 18.4.10. UART Line Status Register..... 189

 18.4.11. UART Modem Status Register..... 192

 18.4.12. UART Scratch Register..... 194

 18.4.13. UART Status Register 195

 18.4.14. UART Transmit FIFO Level Register 196

 18.4.15. UART Receive FIFO Level Register 196

 18.4.16. UART Halt TX Register..... 196

 18.5. UART Special Requirement..... 197

 18.5.1. UART Pin List..... 197



19. IR Interface..... 199

- 19.1. Overview 199
- 19.2. IR Timing Diagram 201
- 19.3. IR Register List 201
- 19.4. IR Register Description..... 202
 - 19.4.1. IR Control Register 202
 - 19.4.2. IR Transmitter Configure Register..... 203
 - 19.4.3. IR Transmitter Address Register 204
 - 19.4.4. IR Transmitter Counter Register 204
 - 19.4.5. IR Receiver Configure Register 205
 - 19.4.6. IR Receiver Address Register 205
 - 19.4.7. IR Receiver Counter Register 206
 - 19.4.8. IR Transmitter FIFO Register 206
 - 19.4.9. IR Receiver FIFO Register..... 206
 - 19.4.10. IR Transmitter Interrupt Control Register..... 207
 - 19.4.11. IR Transmitter Status Register 208
 - 19.4.12. IR Receiver Interrupt Control Register 209
 - 19.4.13. IR Receiver Status Register..... 210
 - 19.4.14. CIR Configure Register..... 211

20. USB_OTG Controller 215

- 20.1. Overview 215
- 20.2. USB_OTG Timing Diagram 215

21. USB Host Controller 216

- 21.1. Overview 216
- 21.2. USB Host Timing Diagram..... 217

22. Digital Audio Interface 218

- 22.1. Overview 218
- 22.2. Digital Audio Interface Timing Diagram 219
- 22.3. Digital Audio Interface Register List 220
- 22.4. Digital Audio Interface Register Description..... 221
 - 22.4.1. Digital Audio Control Register 221
 - 22.4.2. Digital Audio Format Register 0 222
 - 22.4.3. Digital Audio Format Register 1 223
 - 22.4.4. Digital Audio TX FIFO Register..... 225
 - 22.4.5. Digital Audio RX FIFO register..... 225
 - 22.4.6. Digital Audio FIFO Control Register..... 225
 - 22.4.7. Digital Audio FIFO Status Register 226
 - 22.4.8. Digital Audio DMA & Interrupt Control Register 227



22.4.9.	Digital Audio Interrupt Status Register	228
22.4.10.	Digital Audio Clock Divide Register	229
22.4.11.	Digital Audio TX Counter register	230
22.4.12.	Digital Audio RX Counter register.....	230
22.4.13.	Digital Audio TX Channel Select register.....	230
22.4.14.	Digital Audio TX Channel Mapping Register.....	231
22.4.15.	Digital Audio RX Channel Select register	233
22.4.16.	Digital Audio RX Channel Mapping Register	233
22.5.	Digital Audio Interface Special Requirement	234
22.5.1.	Digital Audio Interface Pin List	234
22.5.2.	Digital Audio Interface MCLK and BCLK.....	235
22.5.3.	Digital Audio Interface Clock Source andFrequency.....	236
23.	AC97 Interface	237
23.1.	Overview	237
23.2.	AC97 Block diagram	238
23.3.	AC97 Interface clock tree	239
23.4.	AC Link frame Format.....	239
23.5.	AC97 Interface Timing Diagram	240
23.5.1.	Cold Reset timing diagram.....	240
23.5.2.	Warm Reset timing diagram.....	241
23.5.3.	Power Down timing diagram	241
23.5.4.	AC-link Clock	242
23.5.5.	Data transmission timing diagram.....	243
23.6.	AC97 Interface Register List	245
23.7.	AC97 Interface Register Description	245
23.7.1.	AC97 Control Register.....	245
23.7.2.	AC97 Format Register	246
23.7.3.	AC97 Codec Command Register	247
23.7.4.	AC97 Codec Status Register.....	248
23.7.5.	AC97 TX FIFO Register	248
23.7.6.	AC97 RX FIFO Register.....	248
23.7.7.	AC97 FIFO Control Register	248
23.7.8.	AC97 FIFO Status Register.....	250
23.7.9.	AC97 Interrupt Control Register.....	250
23.7.10.	AC97 Interrupt status Register.....	251
23.7.11.	AC97 TX Counter register	252
23.7.12.	AC97 RX Counter register.....	253
23.7.13.	AC97 Interface Pin list.....	253
23.8.	AC97 Clock Requirement	253



24. Audio Codec	254
24.1. Overview	254
24.2. Audio Codec Register List	255
24.2.1. DAC Digital Part Control Register	255
24.2.2. DAC FIFO Control Register	255
24.2.3. DAC FIFO Status Register.....	257
24.2.4. DAC TX DATA register	258
24.2.5. DAC Analog Control Register	258
24.2.6. ADC FIFO Status Register.....	260
24.2.7. ADC RX DATA register.....	261
24.2.8. ADC Analog Control Register	261
24.2.9. DAC TX Counter register	264
24.2.10. ADC RX Counter register.....	264
25. LRADC	265
25.1. Overview	265
25.2. Principle of operation.....	265
25.2.1. Block Diagram	265
25.2.2. Key Function Introduction	265
25.3. LRADC Register List.....	266
25.3.1. LRADC Control Register.....	266
25.3.2. LRADC Interrupt Control Register.....	267
25.3.3. LRADC Interrupt Status Register	268
25.3.4. LRADC Data 0 Register	270
25.3.5. LRADC Data 1 Register	271
26. TP Controller.....	272
26.1. Overview.....	272
26.2. Typical Application Circuit	273
26.3. TP Register List.....	273
26.3.1. TP Control Register 0.....	273
26.3.2. TP control Register 1.....	274
26.3.3. TP control Register 2.....	275
26.4. Median filter Control Register	276
26.4.1. TP Interrupt& FIFO Control Register	276
26.4.2. TP Interrupt& FIFO Status Register.....	277
26.4.3. Common Data Register	278
27. Keypad Interface.....	280
27.1. Overview	280
27.2. Keypad Interface Register List.....	280



27.3. Keypad Interface Register Description	280
27.3.1. Keypad Control Register	280
27.3.2. Keypad Timing Register	281
27.3.3. Keypad Interrupt Configure Register	281
27.3.4. Keypad Interrupt Status Register	282
27.3.5. Keypad Input Data Register 0	282
27.3.6. Keypad Input Data Register 1	282
27.4. Keypad Interface Pin List.....	282
28. Security System	284
28.1. Overview	284
29. Security ID	285
29.1. Overview	285
29.2. Security ID Register List.....	285
29.3. SID Register Description	285
29.3.1. SID Root Key 0 Register.....	285
29.3.2. SID Root Key 1 Register.....	285
29.3.3. SID Root Key 2 Register.....	286
29.3.4. SID Root Key 3 Register.....	286
30. Port Controller	287
30.1. Overview	287
30.2. Port Register List	287
30.3. Port Register Description	288
30.3.1. PA Configure Register 0.....	288
30.3.2. PA Configure Register 1	289
30.3.3. PA Configure Register 2.....	291
30.3.4. PA Configure Register 3.....	291
30.3.5. PA Data Register	291
30.3.6. PA Multi-Driving Register 0	292
30.3.7. PA Multi-Driving Register 1	292
30.3.8. PA Pull Register 0	292
30.3.9. PA Pull Register 1	292
30.3.10. PB Configure Register 0	293
30.3.11. PB Configure Register 1	294
30.3.12. PB Configure Register 2	295
30.3.13. PB Configure Register 3	296
30.3.14. PB Data Register.....	297
30.3.15. PB Multi-Driving Register 0.....	297
30.3.16. PB Multi-Driving Register 1	297
30.3.17. PB Pull Register 0	298



30.3.18. PB Pull Register 1	298
30.3.19. PC Configure Register 0	298
30.3.20. PC Configure Register 1	299
30.3.21. PC Configure Register 2	301
30.3.22. PC Configure Register 3	302
30.3.23. PC Data Register	302
30.3.24. PC Multi-Driving Register 0	303
30.3.25. PC Multi-Driving Register 1	303
30.3.26. PC Pull Register 0	303
30.3.27. PC Pull Register 1	303
30.3.28. PD Configure Register 0	304
30.3.29. PD Configure Register 1	305
30.3.30. PD Configure Register 2	306
30.3.31. PD Configure Register 3	307
30.3.32. PD Data Register	308
30.3.33. PD Multi-Driving Register 0	309
30.3.34. PD Multi-Driving Register 1	309
30.3.35. PD Pull Register 0	309
30.3.36. PD Pull Register 1	309
30.3.37. PE Configure Register 0	310
30.3.38. PE Configure Register 1	311
30.3.39. PE Configure Register 2	312
30.3.40. PE Configure Register 3	312
30.3.41. PE Data Register	312
30.3.42. PE Multi-Driving Register 0	312
30.3.43. PE Multi-Driving Register 1	313
30.3.44. PE Pull Register 0	313
30.3.45. PE Pull Register 1	313
30.3.46. PF Configure Register 0	313
30.3.47. PF Configure Register 1	314
30.3.48. PF Configure Register 2	314
30.3.49. PF Configure Register 3	315
30.3.50. PF Data Register	315
30.3.51. PF Multi-Driving Register 0	315
30.3.52. PF Multi-Driving Register 1	315
30.3.53. PF Pull Register 0	316
30.3.54. PF Pull Register 1	316
30.3.55. PG Configure Register 0	316
30.3.56. PG Configure Register 1	317
30.3.57. PG Configure Register 2	318
30.3.58. PG Configure Register 3	318
30.3.59. PG Data Register	318
30.3.60. PG Multi-Driving Register 0	319
30.3.61. PG Multi-Driving Register 1	319



30.3.62.	PG Pull Register 0.....	319
30.3.63.	PG Pull Register 1.....	319
30.3.64.	PH Configure Register 0.....	320
30.3.65.	PH Configure Register 1.....	321
30.3.66.	PH Configure Register 2.....	322
30.3.67.	PH Configure Register 3.....	323
30.3.68.	PH Data Register.....	324
30.3.69.	PH Multi-Driving Register 0.....	325
30.3.70.	PH Multi-Driving Register 1.....	325
30.3.71.	PH Pull Register 0.....	325
30.3.72.	PH Pull Register 1.....	325
30.3.73.	PI Configure Register 0.....	326
30.3.74.	PI Configure Register 1.....	327
30.3.75.	PI Configure Register 2.....	328
30.3.76.	PI Configure Register 3.....	329
30.3.77.	PI Data Register.....	329
30.3.78.	PI Multi-Driving Register 0.....	330
30.3.79.	PI Multi-Driving Register 1.....	330
30.3.80.	PI Pull Register 0.....	330
30.3.81.	PI Pull Register 1.....	330
30.3.82.	PIO Interrupt Configure Register 0.....	331
30.3.83.	PIO Interrupt Configure Register 1.....	331
30.3.84.	PIO Interrupt Configure Register 2.....	331
30.3.85.	PIO Interrupt Configure Register 3.....	332
30.3.86.	PIO Interrupt Control Register.....	332
30.3.87.	PIO Interrupt Status Register.....	332
30.3.88.	PIO Interrupt Debounce Register.....	333
31.	CSI0 with ISP FE.....	334
31.1.	Overview.....	334
31.2.	Feature.....	334
31.2.1.	CSI.....	334
31.2.2.	ISP FE.....	334
31.3.	Block diagram.....	335
31.3.1.	CSI data ports.....	335
31.4.	Timing.....	335
31.4.1.	CSI timing.....	335
31.4.2.	16bit YUV422 Timing.....	336
31.4.3.	CCIR656 2 channel Timing.....	336
31.4.4.	CCIR656 4 channel Timing.....	337
31.4.5.	CCIR656 Header Code.....	337
31.5.	CSI0 Register List.....	338



31.6. CSI0 Register Description.....	343
31.6.1. CSI Enable Register	343
31.6.2. CSI configuration register	343
31.6.3. CSI capture control register	345
31.6.4. CSI horizontal scale register	346
31.6.5. CSI Channel_0 FIFO 0 output buffer-A address register	346
31.6.6. CSI Channel_0 FIFO 0 output buffer-B address register	346
31.6.7. CSI Channel_0 FIFO 1 output buffer-A address register	347
31.6.8. CSI Channel_0 FIFO 1 output buffer-B address register	347
31.6.9. CSI Channel_0 FIFO 2 output buffer-A address register	347
31.6.10. CSI Channel_0 FIFO 2 output buffer-B address register	347
31.6.11. CSI Channel_0 output buffer control register	347
31.6.12. CSI Channel_0 status register	348
31.6.13. CSI Channel_0 interrupt enable register	349
31.6.14. CSI Channel_0 interrupt status register	350
31.6.15. CSI Channel_0 horizontal size register	350
31.6.16. CSI Channel_0 vertical size register	350
31.6.17. CSI Channel_0 buffer length register	351
31.6.18. CSI Channel_1 FIFO 0 output buffer-A address register	351
31.6.19. CSI Channel_1 FIFO 0 output buffer-B address register	351
31.6.20. CSI Channel_1 FIFO 1 output buffer-A address register	351
31.6.21. CSI Channel_1 FIFO 1 output buffer-B address register	352
31.6.22. CSI Channel_1 FIFO 2 output buffer-A address register	352
31.6.23. CSI Channel_1 FIFO 2 output buffer-B address register	352
31.6.24. CSI Channel_1 output buffer control register	352
31.6.25. CSI Channel_1 status register	353
31.6.26. CSI Channel_1 interrupt enable register	353
31.6.27. CSI Channel_1 interrupt status register	354
31.6.28. CSI Channel_1 horizontal size register	355
31.6.29. CSI Channel_1 vertical size register	355
31.6.30. CSI Channel_1 buffer length register	356
31.6.31. CSI Channel_2 FIFO 0 output buffer-A address register	356
31.6.32. CSI Channel_2 FIFO 0 output buffer-B address register	356
31.6.33. CSI Channel_2 FIFO 1 output buffer-A address register	356
31.6.34. CSI Channel_2 FIFO 1 output buffer-B address register	356
31.6.35. CSI Channel_2 FIFO 2 output buffer-A address register	357
31.6.36. CSI Channel_2 FIFO 2 output buffer-B address register	357
31.6.37. CSI Channel_2 output buffer control register	357
31.6.38. CSI Channel_2 status register	358
31.6.39. CSI Channel_2 interrupt enable register	358
31.6.40. CSI Channel_2 interrupt status register	359
31.6.41. CSI Channel_2 horizontal size register	360
31.6.42. CSI Channel_2 vertical size register	360
31.6.43. CSI Channel_2 buffer length register	360



31.6.44.	CSI Channel_3 FIFO 0 output buffer-A address register	361
31.6.45.	CSI Channel_3 FIFO 0 output buffer-B address register	361
31.6.46.	CSI Channel_3 FIFO 1 output buffer-A address register	361
31.6.47.	CSI Channel_3 FIFO 1 output buffer-B address register	361
31.6.48.	CSI Channel_3 FIFO 2 output buffer-A address register	361
31.6.49.	CSI Channel_3 FIFO 2 output buffer-B address register	362
31.6.50.	CSI Channel_3 output buffer control register	362
31.6.51.	CSI Channel_3 status register	362
31.6.52.	CSI Channel_3 interrupt enable register	363
31.6.53.	CSI Channel_3 interrupt status register	364
31.6.54.	CSI Channel_3 horizontal size register	364
31.6.55.	CSI Channel_3 vertical size register	365
31.6.56.	CSI Channel_3 buffer length register	365
31.6.57.	ISP Enable register	365
31.6.58.	ISP Mode register	366
31.6.59.	ISP OBC Image Black size register	367
31.6.60.	ISP OBC Image Valid size register	367
31.6.61.	ISP OBC Image Start register	367
31.6.62.	ISP OBC configuration register	368
31.6.63.	ISP Horizontal OBC window start register	368
31.6.64.	ISP Vertical OBC window start register	369
31.6.65.	ISP Vertical OBC parameter register	369
31.6.66.	ISP OBC fixed value register	369
31.6.67.	ISP OBC offset register	370
31.6.68.	ISP OBC clamp value register	370
31.6.69.	ISP LSC configuration register	370
31.6.70.	ISP LSC gain factor address register	371
31.6.71.	ISP LSC gain factor address length register	371
31.6.72.	ISP Offset register	371
31.6.73.	ISP Gain Factor register	371
31.6.74.	ISP Dark Frame Enable register	372
31.6.75.	ISP Dark Frame buffer address register	372
31.6.76.	ISP Dark Frame buffer address length register	372
31.6.77.	ISP luma DC subtraction value register	373
31.6.78.	ISP H3A Median filter threshold register	373
31.6.79.	ISP AF window number register	373
31.6.80.	ISP AF window size register	374
31.6.81.	ISP AF window start register	374
31.6.82.	ISP AF configuration register	374
31.6.83.	ISP AF filter parameter 0 register	375
31.6.84.	ISP AF filter parameter 1 register	375
31.6.85.	ISP AF filter parameter 2 register	375
31.6.86.	ISP AWBE window number register	376
31.6.87.	ISP AWBE window size register	376



31.6.88.	ISP AWBE window start register	376
31.6.89.	ISP AWBE configuration register	377
31.6.90.	ISP Histogram region 0 window size register	377
31.6.91.	ISP Histogram region 0 window start register	377
31.6.92.	ISP Histogram region 1 window size register	378
31.6.93.	ISP Histogram region 1 window start register	378
31.6.94.	ISP Histogram region 2 window size register	378
31.6.95.	ISP Histogram region 2 window start register	379
31.6.96.	ISP Histogram region 3 window size register	379
31.6.97.	ISP Histogram region 3 window start register	379
31.6.98.	ISP 3A Statistics output address register	380
31.6.99.	ISP LUT Defect Correction configuration register	380
31.6.100.	ISP LUT Defect Correction address register	380
31.6.101.	ISP FE Y/Raw Output address length register	381
31.6.102.	SP FE Y/Raw Output address register	381
31.6.103.	ISP interrupt enable register	381
31.6.104.	ISP interrupt status register	382
31.6.105.	ISP FE CbCr Output address length register	382
31.6.106.	ISP FE CbCr Output address register	383
32.	CSI1	384
32.1.	Overview	384
32.2.	Block diagram	384
32.3.	CSI data ports	385
32.4.	Timing	385
32.4.1.	CSI timing	385
32.5.	CSI1 Registers List	385
32.6.	CSI1 Register Description	386
32.6.1.	CSI Enable Register	386
32.6.2.	CSI configuration register	387
32.6.3.	CSI capture control register	389
32.6.4.	CSI horizontal scale register	389
32.6.5.	CSI Channel_0 FIFO 0 output buffer-A address register	390
32.6.6.	CSI Channel_0 FIFO 0 output buffer-B address register	390
32.6.7.	CSI Channel_0 FIFO 1 output buffer-A address register	390
32.6.8.	CSI Channel_0 FIFO 1 output buffer-B address register	391
32.6.9.	CSI Channel_0 FIFO 2 output buffer-A address register	391
32.6.10.	CSI Channel_0 FIFO 2 output buffer-B address register	391
32.6.11.	CSI Channel_0 output buffer control register	391
32.6.12.	CSI Channel_0 status register	392
32.6.13.	CSI Channel_0 interrupt enable register	393
32.6.14.	CSI Channel_0 interrupt status register	394



32.6.15. CSI Channel_0 horizontal size register 394

32.6.16. CSI Channel_0 vertical size register 394

32.6.17. CSI Channel_0 buffer length register 395

33. LCD/TV Timing Controller 396

33.1. Overview 396

33.2. Block Diagram 396

33.3. LCD/TV Timing Controller Register List 396

33.4. LCD/TV Timing Controller registers definition 398

33.4.1. TCON global control register 398

33.4.2. TCON global interrupt register0 399

33.4.3. TCON global interrupt register1 400

33.4.4. TCON FRM control register 400

33.4.5. TCON FRM seed register 401

33.4.6. TCON FRM table register 402

33.4.7. TCON0 control register 402

33.4.8. TCON0 data clock register 403

33.4.9. TCON0 basic timing register0 404

33.4.10. TCON0 basic timing register1 404

33.4.11. TCON0 basic timing register2 405

33.4.12. TCON0 basic timing register3 405

33.4.13. TCON0 hv panel interface register 405

33.4.14. TCON0 cpu panel interface register 406

33.4.15. TCON0 cpu panel write data register 407

33.4.16. TCON0 cpu panel read data register0 407

33.4.17. TCON0 cpu panel read data register1 408

33.4.18. TCON0 ttl panel timing register 0 408

33.4.19. TCON0 ttl panel timing register 1 408

33.4.20. TCON0 ttl panel timing register 2 409

33.4.21. TCON0 ttl panel timing register3 409

33.4.22. TCON0 ttl panel timing register3 409

33.4.23. TCON0 lvds panel interface register 410

33.4.24. TCON0 IO polarity register 411

33.4.25. TCON1 control register 412

33.4.26. TCON1 basic timing register0 413

33.4.27. TCON1 basic timing register1 413

33.4.28. TCON1 basic timing register2 413

33.4.29. TCON1 basic timing register3 414

33.4.30. TCON1 basic timing register4 414

33.4.31. TCON1 basic timing register5 414

33.4.32. TCON1 IO polarity register 415

33.4.33. TCON1 IO control register 415

33.4.34. TCON ECC FIFO register 416



33.4.35.	TCON CEU control register.....	416
33.4.36.	TCON CEU coefficient register	416
33.4.37.	TCON0 lvds panel analog register0	419
33.4.38.	TCON0 lvds panel analog register1	420
33.4.39.	TCON1 fill data control register	420
33.4.40.	TCON1 fill data begin register.....	420
33.4.41.	TCON1 fill data end register.....	421
33.4.42.	TCON1 fill data value register	421
33.4.43.	TCON1 fill data begin register.....	421
33.4.44.	TCON1 fill data end register.....	421
33.4.45.	TCON1 fill data value register	421
33.4.46.	TCON1 fill data begin register.....	422
33.4.47.	TCON1 fill data end register.....	422
33.4.48.	TCON1 fill data value register	422
34.	TV Encoder.....	422
34.1	Overview	422
34.2	TV Encoder Register List.....	422
34.3	TV Encoder Register Description	424
34.4	TV Encoder Enable Register.....	424
34.4.1	TV Encoder Configuration Register.....	425
34.4.2	TV Encoder DAC Register1	427
34.4.3	TV Encoder Notch and DAC Delay Register.....	429
34.4.4	TV Encoder chroma frequency Register	431
34.4.5	TV Encoder Front/Back Porch Register.....	431
34.4.6	TV Encoder HD mode VSYNC Register	432
34.4.7	TV Encoder Line Number Register.....	432
34.4.8	TV Encoder Level Register.....	433
34.4.9	TV Encoder DAC Register2	433
34.4.10	TV Encoder Auto Detection Enable Register.....	434
34.4.11	TV Encoder Auto Detection Interrupt Status Register	434
34.4.12	TV Encoder Auto Detection Status Register	435
34.4.13	TV Encoder Notch Filter Frequency Register.....	435
34.4.14	TV Encoder Cb/Cr Level/Gain Register	436
34.4.15	TV Encoder Tint and Color Burst Phase Register.....	436
34.4.16	TV Encoder Burst Width Register.....	437
34.4.17	TV Encoder Cb/Cr Gain Register	437
34.4.18	TV Encoder Sync and VBI Level Register	438
34.4.19	TV Encoder White Level Register	438
34.4.20	TV Encoder Video Active Line Register.....	438
34.4.21	TV Encoder Video Chroma BW and CompGain Register	439
34.4.22	TV Encoder Register.....	439
34.4.23	TV Encoder Re-sync parameters Register	440



34.4.24	TV Encoder Slave Parameter Register	440
34.4.25	TV Encoder Configuration Register.....	441
34.4.26	TV Encoder Configuration Register.....	441
34.4.27	TV Encoder MacroVision Control Register	442
34.4.28	TV Encoder MacroVision N0~N3 Register	442
34.4.29	TV Encoder MacroVision N4~N7 Register	443
34.4.30	TV Encoder MacroVision N8~N10 Register	443
34.4.31	TV Encoder MacroVision N11~N12 Register	443
34.4.32	TV Encoder MacroVision N13~N16 Register	443
34.4.33	TV Encoder MacroVision N17~N20 Register	444
35.	Mixer Processor (MP)	445
35.1.	Overview	445
35.2.	Block Diagram	446
35.3.	MP Description	446
35.3.1.	Data Mode.....	446
35.3.2.	Rotation and mirroring control.....	446
35.3.3.	Memory scan order	447
35.3.4.	Color space converter.....	447
35.3.5.	Formatter.....	448
35.3.6.	ROP.....	451
35.3.7.	Alpha / Color key	452
35.3.8.	Scaling.....	455
35.4.	Register list	459
35.5.	Registers description	461
35.5.1.	MP control register.....	461
35.5.2.	MP Status register	461
35.5.3.	Input DMA globe control register	462
35.5.4.	Input DMA start address high 4bits register.....	462
35.5.5.	Input DMA start address low 32bits register.....	463
35.5.6.	Input DMA line width register	463
35.5.7.	Input DMA memory block size register.....	464
35.5.8.	Input DMA memory block coordinate control register	464
35.5.9.	Input DMA setting register.....	465
35.5.10.	Input DMA fill-color register	466
35.5.11.	Color space converter 0 control register.....	467
35.5.12.	Color space converter 1 control register.....	468
35.5.13.	Scaler control register	469
35.5.14.	Scaling output size register	469
35.5.15.	Scaler horizontal scaling factor register	470
35.5.16.	Scaler vertical scaling factor register	470
35.5.17.	Scaler horizontal start phase setting register	470



35.5.18. Scaler vertical start phase setting register	471
35.5.19. ROP control register.....	471
35.5.20. ROP channel 3 index 0 control table setting register	473
35.5.21. ROP channel 3 index 1 control table setting register	474
35.5.22. Alpha / Color key control register.....	476
35.5.23. Color key min color register	477
35.5.24. Color key max color register.....	477
35.5.25. Fill color of ROP output setting register	478
35.5.26. Color space converter 2 control register.....	478
35.5.27. Output control register	478
35.5.28. Output size register	480
35.5.29. Output address high 4bits register.....	480
35.5.30. Output address low 32bits register.....	480
35.5.31. Output line width register.....	481
35.5.32. Output alpha control register.....	481
35.5.33. CSC0/1 Y/G coefficient register	482
35.5.34. CSC0/1 Y/G constant register	483
35.5.35. CSC0/1 U/R coefficient register.....	483
35.5.36. CSC0/1 U/R constant register	483
35.5.37. CSC0/1 V/B coefficient register.....	484
35.5.38. CSC0/1 V/B constant register	484
35.5.39. CSC2 Y/G coefficient register.....	484
35.5.40. CSC2 Y/G constant register	485
35.5.41. CSC2 U/R coefficient register.....	485
35.5.42. CSC2 U/R constant register	485
35.5.43. CSC2 V/B coefficient register.....	486
35.5.44. CSC2 V/B constant register	486
35.5.45. Scaling horizontal filtering coefficient RAM block.....	486
35.5.46. Scaling vertical filtering coefficient RAM block	487
35.5.47. Palette table	487
36. Declaration.....	494



1. Introduction

With ARM Cortex A8 core, A10 will drive SoC into a brand new era of connected Smart HD which can enhance the application of connected HD SOC as well as user experiences of consumer electronics like multimedia products. Due to its outstanding connected HD video performance and cost efficiency, the highly integrated A10 is target at cool HD pad which can bring end-users better experiences of surfing, watching, gaming and reading.

The A10 is dedicated to furthering the development of connected HD video CODEC application, and 1080P H.264 high profile encoding technology can become one of the benchmarks. Besides its remarkable super HD 2160p video decoding capability, A10 can stream smoothly HD video over internet, including FLASH10.3/HTML5/3RD APK.

Besides self-developed display acceleration frame, MALI400 2D/3D GPU has also been introduced to strengthen the connected smart HD SOC in terms of high profile display so that it can support popular smart systems such as Android2.3/3.0 better and improve the performance of Android-loaded products as well as user experience.

There is no doubt that low power consumption and excellent user experience will be always on the top of end-users' wish list. A10 has adopted Allwinnertech's most advanced technology of video CODEC and power consumption is much lower during 1080p decoding process. What's more, Allwinnertech will keep applying progressive VLSI design under new process so that end products can become even more competitive with shorter R&D cycle and easier production advantages.

1.1. Feature

The A10 is featured as following:

1.1.1. CPU

- ARM Cortex-A8 Core
- 32KB I-Cache/32KB D-Cache/256KB L2 Cache
- Using NEON for video, audio, and graphic workloads eases the burden of supporting more dedicated accelerators across the SoC and enable the system to support the standards of tomorrow
- RCT JAVA-Accelerations to optimize just in time(JIT) and dynamic adaptive compilation(DAC), and reduces memory footprint up to three times
- Trustzone technology allows for secure transactions and digital right managements(DRM)



1.1.2. GPU

3D

- support Open GL ES 2.0 / open VG 1.1

2D

- support BLT / ROP2/3/4
- support 90/180/270 degree Rotation
- support Mirror / alpha (including plane and pixel alpha) / color key
- Scaling function with 4*4 taps and 32 phase
- Support format conversion

1.1.3. VPU

- Video Decoding (FULL HD)
 - Support all popular video formats, including VP8, AVS, H.264, H.263, VC-1, MPEG-1/2/4
 - Support 1920*1080@60fps in all formats
- Video Encoding
 - Support encoding in H.264 High Profile format
 - 1080p@60fps
 - 720p@100fps

1.1.4. Display Processing Ability

- Four moveable and size-adjustable layers
- 8 tap scale filter in horizontal and 4 tap in vertical direction for scaling
- support Multi-format image input
- support Alpha blending / color key / gamma
- support Hardware cursor / sprite
- support Vertical keystone correction
- support Output color correction (luminance / hue / saturation etc)
- support motion adaptive de-interlace
- support Video enhancement (lum peaking / DCTi / black and white level extension)
- support 3D format content input/output format convert/display (including HDMI)

1.1.5. Display Output Ability

- Support HDMI V1.3/V1.4
- Flexible LCD interface (CPU / Sync RGB / LVDS) up to 1920*1080 resolution



- CVBS / YPbPr up to 1920*1080 resolution

1.1.6. Image Input Ability

- Dual camera sensor interface (CSI0 supports ISP function)

1.1.7. Memory

- 16/32-bits SDRAM controller
 - support DDR2 SDRAM and DDR3 SDRAM up to 800Mbps
 - Memory Capacity up to 16 G-bits
- 8-bits NAND Flash Controller with 8 chip select and 2 r/b signals
 - Support SLC/MLC/TLC/DDR NAND
 - ECC up to 64 bits

1.1.8. Peripheral

- 1 USB 2.0 OTG controller for general application/2 USB EHCI controller for host application
- 4 high-speed Memory controller supports SD version 3.0 and MMC version 4.2
- 8 UARTs with 64 Bytes TX FIFO and 64 Bytes RX FIFO
 - One UART with full modem function
 - Two UARTs with RTS/CTS hardware flow control
 - Five UARTs with two wires
- 4 SPI controller
 - 1 dedicated SPI controller for serial NOR Flash boot application
 - 3 SPI for general applications
- 4 SD3.0 Card controller
- 2 PS2 controller for connecting external PS2 mouse and PS2 keypad
- 3 Two-Wire Interface up to 400Kbps
- Key Matrix (8x8) with internal debounce filter
- IR controller supports MIR, FIR and IR remoter
- 2-CH 6-bits LRADC for line control
- Internal 4-wire touch panel controller with pressure sensor and 2-point touch
- I2S/PCM controller for 8-channel output and 2-channel input
- AC97 controller compatible with AC97 version 2.3 standard
- Internal 24-bits Audio Codec for 2 channel headphone, 2 channel microphone, 2 channel FM input and Line input
- 2 PWM controller



1.1.9. System

- 8 channel normal DMA and 8 channel dedicated DMA
- Internal (32K+64K) SRAM on chip
- 4 timer, 1 RTC timer and 1 watchdog

1.1.10. Security

- Security System
 - Support DES, 3DES, AES encryption and decryption.
 - Support SHA-1, MD5 message digest
 - Support hardware 64-bit random generator
- 128-bits EFUSE chip ID

1.1.11. Package

- TFBGA441 package
- 0.8mm pitch

2. Pin Description

Notes: see details in datasheet of A10.

2.1. Pin Placement Table

Notes: see details in datasheet of A10.

2.2. Pin Detail Description

Notes: see details in datasheet of A10.

3. Architecture

3.1. General Block Diagram

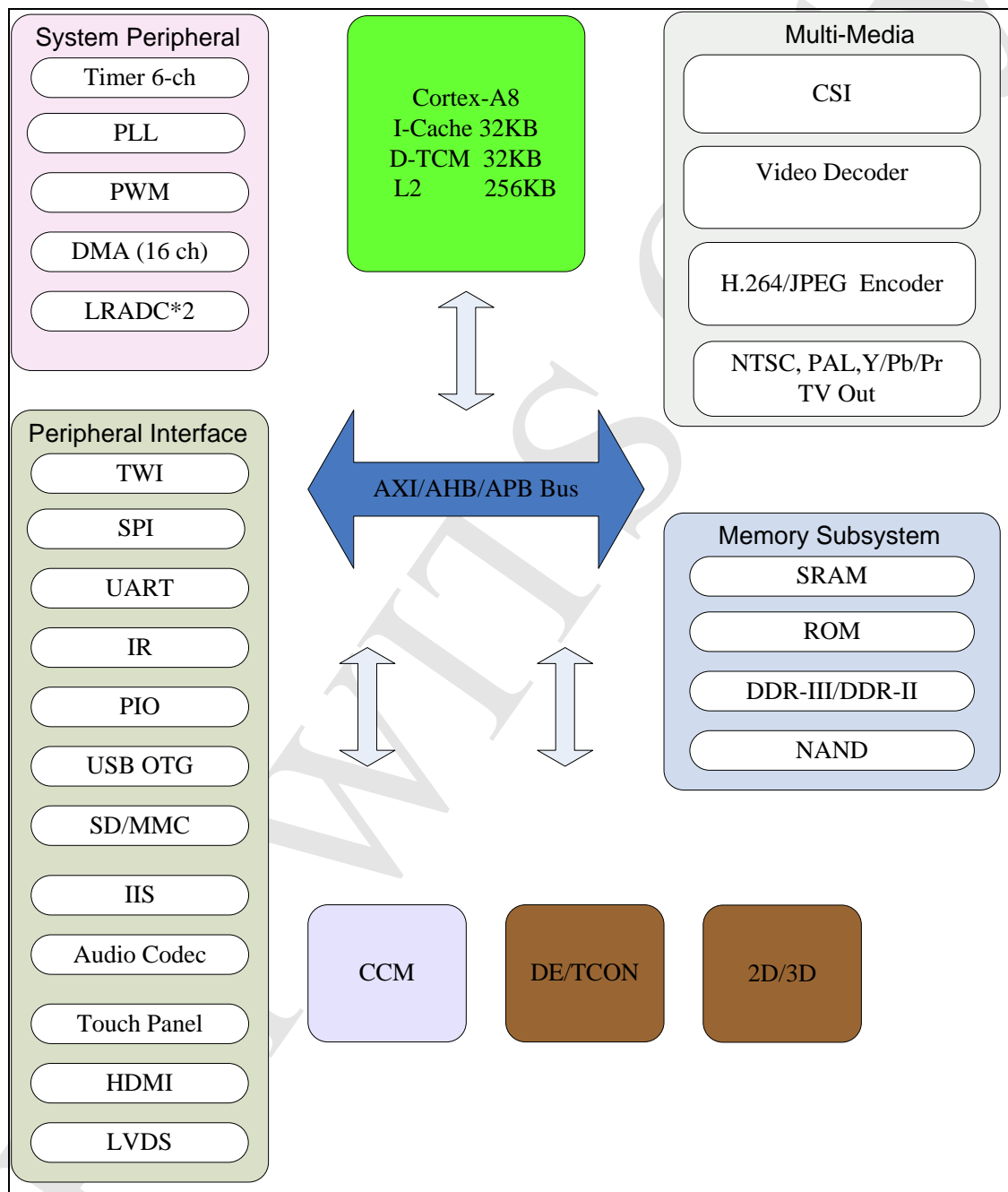


Figure 3-1 General Block Diagram



3.2. Memory Mapping

Module	Address	Size(Bytes)
SRAM A1	0x0000 0000---0x0000 3FFF	16K
SRAM A2	0x0000 4000---0x0000 7FFF	16K
SRAM A3	0x0000 8000---0x0000 B3FF	13K
SRAM A4	0x0000 B400---0x0000 BFFF	3K
SRAM Nand		2K
SRAM D	0x0001 0000---0x0001 0FFF	4K
SRAM B(Secure)	0x0002 0000---0x0002 FFFF	64K
SRAM Controller	0x01C0 0000---0x01C0 0FFF	4K
DRAM Controller	0x01C0 1000---0x01C0 1FFF	4K
DMA	0x01C0 2000---0x01C0 2FFF	4K
NFC	0x01C0 3000---0x01C0 3FFF	4K
TS	0x01C0 4000---0x01C0 4FFF	4K
SPI 0	0x01C0 5000---0x01C0 5FFF	4K
SPI 1	0x01C0 6000---0x01C0 6FFF	4K
MS	0x01C0 7000---0x01C0 7FFF	4K
TVD	0x01C0 8000---0x01C0 8FFF	4K
CSI 0	0x01C0 9000---0x01C0 9FFF	4K
TVE 0	0x01C0 A000---0x01C0 AFFF	4K
EMAC	0x01C0 B000---0x01C0 BFFF	4K
LCD 0	0x01C0 C000---0x01C0 CFFF	4K
LCD 1	0x01C0 D000---0x01C0 DFFF	4K
VE	0x01C0 E000---0x01C0 EFFF	4K
SD/MMC 0	0x01C0 F000---0x01C0 FFFF	4K
SD/MMC 1	0x01C1 0000---0x01C1 0FFF	4K
SD/MMC 2	0x01C1 1000---0x01C1 1FFF	4K
SD/MMC 3	0x01C1 2000---0x01C1 2FFF	4K
USB 0	0x01C1 3000---0x01C1 3FFF	4K
USB 1	0x01C1 4000---0x01C1 4FFF	4K
SS	0x01C1 5000---0x01C1 5FFF	4K
HDMI	0x01C1 6000---0x01C1 6FFF	4K
SPI 2	0x01C1 7000---0x01C1 7FFF	4K
NC	0x01C1 8000---0x01C1 8FFF	4K
PATA	0x01C1 9000---0x01C1 9FFF	4K
ACE	0x01C1 A000---0x01C1 AFFF	4K
TVE 1	0x01C1 B000---0x01C1 BFFF	4K
USB 2	0x01C1 C000---0x01C1 CFFF	4K
CSI 1	0x01C1 D000---0x01C1 DFFF	4K
TZASC	0x01C1 E000---0x01C1 EFFF	4K



SPI3	0x01C1 F000---0x01C1 FFFF	4K
CCM	0x01C2 0000---0x01C2 03FF	1K
INTC	0x01C2 0400---0x01C2 07FF	1K
PIO	0x01C2 0800---0x01C2 0BFF	1K
Timer	0x01C2 0C00---0x01C2 0FFF	1K
NC	0x01C2 1000---0x01C2 13FF	1K
AC97	0x01C2 1400---0x01C2 17FF	1K
IR0	0x01C2 1800---0x01C2 1BFF	1K
IR 1	0x01C2 1C00---0x01C2 1FFF	1K
IIS	0x01C2 2400---0x01C2 27FF	1K
LRADC 0/1	0x01C2 2800---0x01C2 2BFF	1K
AD/DA	0x01C2 2C00---0x01C2 2FFF	1K
KEYPAD	0x01C2 3000---0x01C2 33FF	1K
TZPC	0x01C2 3400---0x01C2 37FF	1K
SID	0x01C2 3800---0x01C2 3BFF	1K
SJTAG	0x01C2 3C00---0x01C2 3FFF	1K
TP	0x01C2 5000---0x01C2 53FF	1K
PMU	0x01C2 5400---0x01C2 57FF	1K
UART 0	0x01C2 8000---0x01C2 83FF	1K
UART 1	0x01C2 8400---0x01C2 87FF	1K
UART 2	0x01C2 8800---0x01C2 8BFF	1K
UART 3	0x01C2 8C00---0x01C2 8FFF	1K
UART 4	0x01C2 9000---0x01C2 93FF	1K
UART 5	0x01C2 9400---0x01C2 97FF	1K
UART 6	0x01C2 9800---0x01C2 9BFF	1K
UART 7	0x01C2 9C00---0x01C2 9FFF	1K
PS2-0	0x01C2 A000---0x01C2 A3FF	1K
PS2-1	0x01C2 A400---0x01C2 A7FF	1K
TWI 0	0x01C2 AC00---0x01C2 AFFF	1K
TWI 1	0x01C2 B000---0x01C2 B3FF	1K
TWI 2	0x01C2 B400---0x01C2 B7FF	1K
CAN	0x01C2 BC00---0x01C2 BFFF	1K
SCR	0x01C2 C400---0x01C2 C7FF	1K
Reserved	/	64K
Mali400	0x01C4 0000---0x01C4 FFFF	64K
SRAM C	0x01D0 0000---0x01DF FFFF	Module sram
DE_FE0	0x01E0 0000---0x01E1 FFFF	128K
DE_FE1	0x01E2 0000---0x01E3 FFFF	128K
DE_BE0	0x01E6 0000---0x01E7 FFFF	128K
DE_BE1	0x01E4 0000---0x01E5 FFFF	128K
MP	0x01E8 0000---0x01E9 FFFF	128K
AVG	0x01EA 0000---0x01EB FFFF	128K



Reserved	/	64K
DDR-II/DDR-III	0x4000 0000--0xBFFF FFFF	2G
BROM	0xFFFF 0000—0xFFFF 7FFF	32K

FOR WITTS ONLY



4. Boot Mode

4.1. Overview

With on-chip 32KB ROM, A10 is providing flexible boot-loading options in default sequence of SD Card0, NAND FLASH, SD Card2, and SPI NOR FLASH. An external Boot Select Pin (BSP) is applied to determine when system should jump to USB boot. Normally, the BSP is pulled up by an internal 50K resistor. After power up, boot code that is stored in embedded ROM will check automatically the state of the pin, and the system will boot from USB only if the pin is on low-level state ('0').

Since A10 will always start to fetch instructions from SD Card0, it permits final product to be mass produced with SD card rather than USB, which can improve the MP productivity greatly.

4.2. Boot Diagram

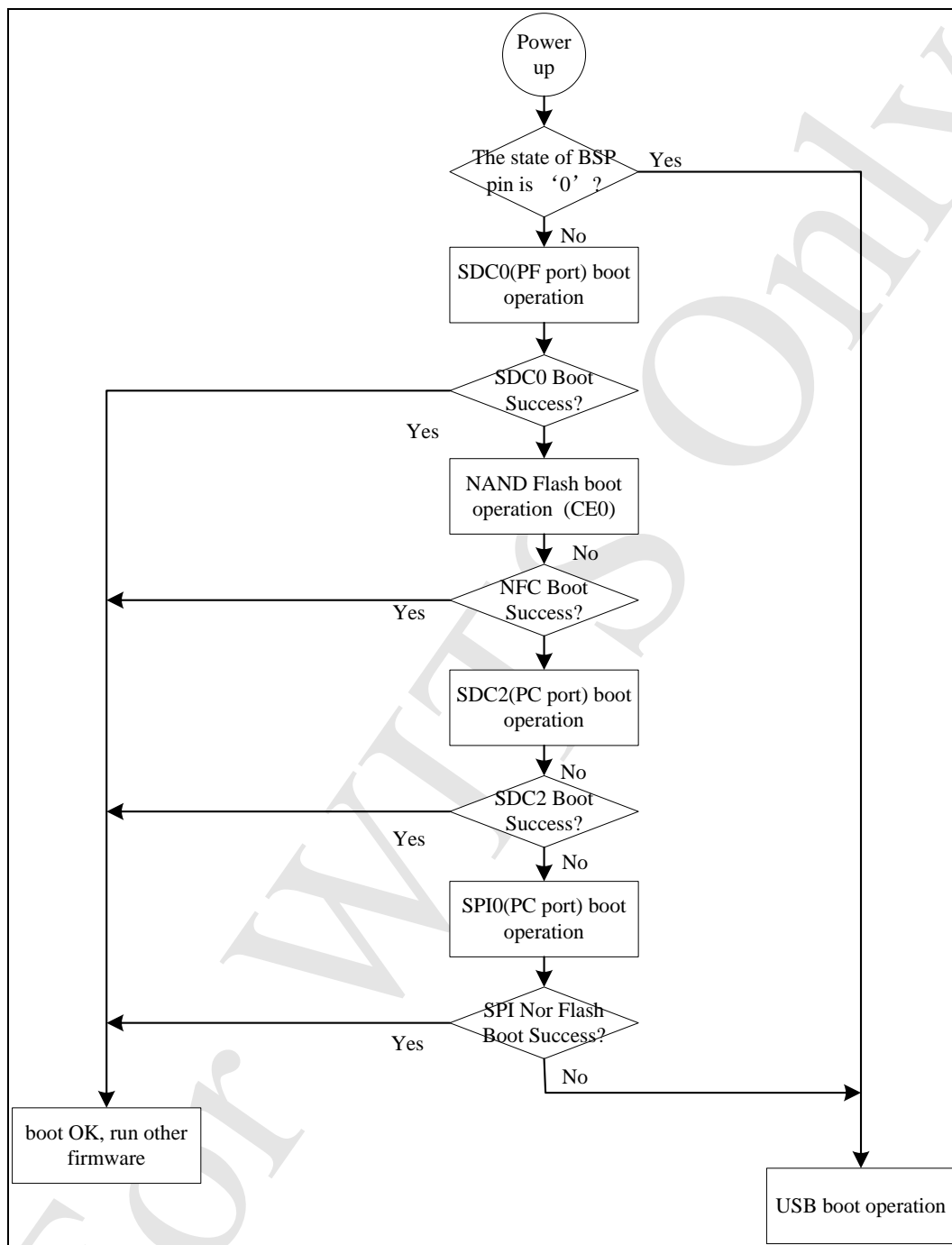


Figure 4-1 Boot Sequence



5. System Mode

5.1. Overview

Together with power management IC (PMIC), A10 offers a comprehensive power and clock-management scheme that enables high-performance and ultralow-power consumption. There are four low-power modes, namely, General Clock Gating, STOP, SUPER STANDBY and SLEEP.

In General Clock Gating mode, developer can turn on clocks for selective internal peripherals accordingly in order to achieve optimized power consumption. For instance, if an UART is not required, software programming can cut off the timer out of power saving consideration.

In STOP mode, all clocks to Cortex-A8 core as well as peripherals can be frozen by disabling PLLs.

In SUPER STANDBY mode, ONLY AVCC and DRAM-VCC power domains are on while all others (VCC, CPU-VDD, CORE-VDD, RTC-VDD...) are off. The external SDRAM has entered self-refresh mode under which data can be preserved and firmware can be activated quickly.

In SLEEP mode, Cortex-A8 core has been power-gated, and so with internal logic except the wakeup logic (RTC module). In order to enter SLEEP mode, an independent power source is required that supplies power to the wakeup logic.



6. Clock Control Module

6.1. Overview

The Clock Control Module is made up of 7 PLLs, a Main Oscillator, an on-chip RC Oscillator and a 32768Hz low-power Oscillator.

- CPU Clock
- AHB Clock
- APB Clock
- Special Clock

It integrates two crystal oscillators. A 24-MHz crystal is mandatory and provides the clock source for the PLL and the main digital blocks. The 32768Hz oscillator is used only to provide a low power, accurate reference for the RTC. In order to provide the high-performance, low power consumption and easy user interface, the chip has the following clock domain:

CLK Domain	Module	Speed Range	Description
OSC24M	Most Clock Generator	24MHz	Root clock for most of the chip.
RC_osc	Timer,Key	32KHz	Source for the RTC/Timer
32K768Hz	Timer,Key	32768Hz	Low-power source for the RTC/Timer
CPU32_clk	CPU32	2K~1200M	Divided from CPU32_clk or OSC24M
AHB_clk	AHB Devices	8K~276M	Divided from CPU32_clk
APB_clk	Peripheral	0.5K~138M	Divided from AHB_clk
SDRAM_clk	SDRAM	0~400MHz	Sourced from the PLL
USB_clk	USB	480MHz	Sourced from the PLL
Audio_clk	A/D,D/A	24.576MHz /22.5792MHz	Sourced from the PLL

6.2. Clock Tree Diagram

Notes: See details in the datasheet of A10.

6.3. CCM Register List

Module Name	Base Address
CCM	0x01C20000



Register Name	Offset	Description
PLL1_CFG_REG	0x0000	PLL1 control
PLL1_TUN_REG	0x0004	PLL1 tuning
PLL2_CFG_REG	0x0008	PLL2 control
PLL2_TUN_REG	0x000C	PLL2 tuning
PLL3_CFG_REG	0x0010	PLL3 control
PLL4_CFG_REG	0x0018	PLL4 control
PLL5_CFG_REG	0x0020	PLL5 control
PLL5_TUN_REG	0x0024	PLL5 tuning
PLL6_CFG_REG	0x0028	PLL6 control
PLL6_TUN_REG	0x002C	PLL6 tuning
PLL7_CFG_REG	0x0030	PLL7 control
/	0x0034	/
PLL1_TUN2_REG	0x0038	PLL1 tuning2
PLL5_TUN2_REG	0x003C	PLL5 tuning2
/	/	Reserved
OSC24M_CFG_REG	0x0050	OSC24M control
CPU_AHB_APB0_CFG_REG	0x0054	CPU, AHB and APB0 divide ratio
APB1_CLK_DIV_REG	0x0058	APB1 clock divisor
AXI_GATING_REG	0x005C	AXI module clock gating
AHB_GATING_REG0	0x0060	AHB module clock gating 0
AHB_GATING_REG1	0x0064	AHB module clock gating 1
APB0_GATING_REG	0x0068	APB0 module clock gating
APB1_GATING_REG	0x006C	APB1 module clock gating
NAND_SCLK_CFG_REG	0x0080	
/	0x0084	
SD0_CLK_REG	0x0088	
SD1_CLK_REG	0x008C	
SD2_CLK_REG	0x0090	
SD3_CLK_REG	0x0094	
TS_CLK_REG	0x0098	
SS_CLK_REG	0x009C	
SPI0_CLK_REG	0x00A0	
SPI1_CLK_REG	0x00A4	
SPI2_CLK_REG	0x00A8	
/	0x00AC	
IR0_CLK_REG	0x00B0	
IR1_CLK_REG	0x00B4	
IIS_CLK_REG	0x00B8	
AC97_CLK_REG	0x00BC	
NC	0x00C0	



KEYPAD_CLK_REG	0x00C4	
NC	0x00C8	
USB_CLK_REG	0x00CC	
NC	/	
SPI3_CLK_REG	0x00D4	
DRAM_CLK_REG	0x0100	
BE0_SCLK_CFG_REG	0x0104	
BE0_SCLK_CFG_REG	0x0108	
FE0_CLK_REG	0x010C	
FE1_CLK_REG	0x0110	
MP_CLK_REG	0x0114	
LCD0_CH0_CLK_REG	0x0118	
LCD1_CH0_CLK_REG	0x011C	
CSI_ISP_CLK_REG	0x0120	
TVD_CLK_REG	0x0128	
LCD0_CH1_CLK_REG	0x012C	
LCD1_CH1_CLK_REG	0x0130	
CSI0_CLK_REG	0x0134	
CSI1_CLK_REG	0x0138	
VE_CLK_REG	0x013C	
AUDIO_CODEC_CLK_REG	0x0140	
AVS_CLK_REG	0x0144	
ACE_CLK_REG	0x0148	
LVDS_CLK_REG	0x014C	
HDMI_CLK_REG	0x0150	
MALI400_CLK_REG	0x0154	

6.4. CCM Register Description

6.4.1. PLL1-Core(Default: 0x21005000)

Offset: 0x00			Register Name: PLL1_CFG_REG
Bit	Read/ Write	Default /Hex	Description
31	R/W	0x0	PLL1_Enable. 0: Disable, 1: Enable. The PLL1 output=(24MHz*N*K)/(M*P). The PLL1 output is for the CORECLK. Note: the output 24MHz*N*K clock must be in the range of 240MHz~2GHz if the bypass is disabled. Its default is 384MHz.



25	R/W	0x0	EXG_MODE. Exchange mode.
19:18	/	/	/
17:16	R/W	0x0	PLL1_OUT_EXT_DIVP. PLL1 Output external divider P. The range is 1/2/4/8.
12:8	R/W	0x10	PLL1_FACTOR_N PLL1 Factor N.. Factor=0, N=0; Factor=1, N=1; Factor=2, N=2 Factor=31,N=31
7:6	/	/	/
5:4	R/W	0x0	PLL1_FACTOR_K. PLL1 Factor K.(K=Factor + 1) The range is from 1 to 4.
3	R/W	0x0	SIG_DELT_PAT_IN. Sigma-delta pattern input.
2	R/W	0x0	SIG_DELT_PAT_EN. Sigma-delta pattern enable.
1:0	R/W	0x0	PLL1_FACTOR_M. PLL1 Factor M. (M=Factor + 1) The range is from 1 to 4.

6.4.2.PLL2-Audio (Default: 0x08100010)

Offset: 0x08			Register Name: PLL2_CFG_REG
Bit	Read/ Write	Default /Hex	Description
31	R/W	0x0	PLL2_Enable. 0: Disable, 1: Enable. The PLL2 is for Audio. PLL2 Output = 24MHz*N/PLL2_PRE_DIV/PLL2_POST_DIV. 1X = 48*N/PreDiv/PostDiv/2(not 50% duty) 2X = 48*N/PreDiv/4(8X/4 50% duty) 4X = 48*N/PreDiv/2(8X/2 50% duty) 8X = 48*N/PreDiv(not 50% duty)
30	/	/	/
29:26	R/W	0x2	PLL2_POST_DIV. PLL2 post-dividor[3:0]. 0000: 0x1



		 1111: 0x10
15	/	/	/
14:8	R/W	0x0	PLL2_Factor_N. PLL2 Factor N. Factor=0, N=1; Factor=1, N=1; Factor=0x7F, N=0x7F;
7:5	/	/	/
4:0	R/W	0x10	PLL2_PRE_DIV. PLL2 pre-divisor[4:0]. 00000: 0x1 11111: 0x20

6.4.3. PLL2-Tuning (Default: 0x00000000)

Offset: 0x0C			Register Name: PLL2_TUN_REG
Bit	Read/ Write	Default /Hex	Description
31	R/W	0x0	SIG_DELT_PAT_EN. Sigma-delta pattern enable.
30:29	R/W	0x0	SPR_FREQ_MODE. Spread Frequency Mode. 00: DC=0 01: DC=1 10: Triangular 11: awmode
28:20	R/W	0x0	WAVE_STEP. Wave step.
19	/	/	/
18:17	R/W	0x0	FREQ. Frequency. 00: 31.5KHz 01: 32KHz 10: 32.5KHz 11: 33KHz
16:0	R/W	0x0	WAVE_BOT. Wave Bottom.

**6.4.4. PLL3-Video 0(Default: 0x0010D063)**

Offset: 0x10			Register Name: PLL3_CFG_REG
Bit	Read/Write	Default/Hex	Description
31	R/W	0x0	PLL3_Enable. 0: Disable, 1: Enable. In the integer mode, The PLL3 output=3MHz*M. In the fractional mode, the PLL3 output is select by bit 14. The PLL3 output range is 27MHz~381MHz.
30	/	/	/
29:27	/	/	/
23:21	/	/	/
15	R/W	0x1	PLL3_MODE_SEL. PLL3 mode select. 0: fractional mode, 1: integer mode.
14	R/W	0x1	PLL3_FUNC_SET. PLL3 fractional setting. 0: 270MHz, 1: 297MHz.
13	/	/	/
7	/	/	/
6:0	R/W	0x63	PLL3_FACTOR_M. PLL3 Factor M. The range is from 9 to 127.

6.4.5. PLL4-VE(Default: 0x21081000)

Offset: 0x18			Register Name: PLL4_CFG_REG
Bit	Read/Write	Default/Hex	Description
31	R/W	0x0	PLL4_Enable. 0: Disable, 1: Enable. The PLL4 output=(24MHz*N*K)/(M*P). The PLL4 output is for the VE. Note: the output 24MHz*N*K clock must be in the range of 240MHz~2GHz if the bypass is disabled.
30	R/W	0x0	PLL4_OUT_BYPASS_EN. PLL4 Output Bypass Enable. 0: Disable, 1: Enable. If the bypass is enabled, the PLL4 output is 24MHz.
18	/	/	/



17:16	R/W	0x0	PLL4_OUT_EXT_DIV_P. PLL4 Output external divider P. The range is 1/2/4/8.
15:13	R/W	/	/
12:8	R/W	0x10	PLL4_FACTOR_N. PLL4 Factor N. Factor=0, N=0; Factor=1, N=1; Factor=2, N=2 Factor=31,N=31
7:6	/	/	/
5:4	R/W	0x0	PLL4_FACTOR_K. PLL4 Factor K.(K=Factor + 1) The range is from 1 to 4.
3:2	/	/	/
1:0	R/W	0x0	PLL4_FACTOR_M. PLL4 Factor M.(M = Factor + 1) The range is from 1 to 4.

6.4.6. PLL5-DDR(Default: 0x11049280)

Offset: 0x20			Register Name: PLL5_CFG_REG
Bit	Read/Write	Default/Hex	Description
31	R/W	0x0	PLL5_Enable. 0: Disable, 1: Enable. The PLL5 output for DDR = (24MHz*N*K)/M. The PLL5 output for other module =(24MHz*N*K)/P. The PLL5 output is for the DDR. Note: the output 24MHz*N*K clock must be in the range of 240MHz~2GHz if the bypass is disabled.
30	R/W	0x0	PLL5_OUT_BYPASS_EN. PLL5 Output Bypass Enable. 0: Disable, 1: Enable. If the bypass is enabled, the output is 24MHz.
29	R/W	0x0	DDR_CLK_OUT_EN. DDR clock output en.
17:16	R/W	0x0	PLL5_OUT_EXT_DIV_P. PLL5 Output External Divider P. The range is 1/2/4/8.
12:8	R/W	0x12	PLL5_FACTOR_N.



			PLL5 Factor N. Factor=0, N=0; Factor=1, N=1; Factor=2, N=2 Factor=31,N=31
7	R/W	0x1	LDO_EN. LDO Enable.
6	R/W	/	/
5:4	R/W	0x0	PLL5_FACTOR_K. PLL5 Factor K.(K=Factor + 1) The range is from 1 to 4.
3:2	R/W	0x0	PLL5_FACTOR_M1. PLL5 Factor M1.
1:0	R/W	0x0	PLL5_FACTOR_M. PLL5 Factor M.(M = Factor + 1) The range is from 1 to 4.

6.4.7.PLL6-NC(Default: 0x21009911)

Offset: 0x28			Register Name: PLL6_CFG_REG
Bit	Read/ Write	Default /Hex	Description
31	R/W	0x0	PLL6_Enable. 0: Disable, 1: Enable. For NC, the output $= (24\text{MHz} * N * K) / M / 6$ If the NC is on, the output should be equal to 100MHz For other module, the output $= (24\text{MHz} * N * K) / 2$ Note: the output 24MHz*N*K clock must be in the range of 240MHz~2GHz if the bypass is disabled.
30	R/W	0x0	PLL6_BYPASS_EN. PLL6 Output Bypass Enable. 0: Disable, 1: Enable. If the bypass is enabled, the PLL6 output is 24MHz.
19	/	/	/
18	/	/	/
17:16	/	/	/
14	/	/	/
13	/	/	/
12:8	R/W	0x19	PLL6_FACTOR_N. PLL6 Factor N. Factor=0, N=0;



			Factor=1, N=1; Factor=2, N=2; Factor=31, N=31
5:4			PLL6_FACTOR_K. PLL6 Factor K.(K=Factor + 1) The range is from 1 to 4.
3:2	/	/	/
1:0	R/W	0x1	PLL6_FACTOR_M. PLL6 Factor M.(M = Factor + 1) The range is from 1 to 4.

6.4.8. PLL6-Tuning (Default:)

Offset: 0x2C			Register Name: PLL6_TUN_REG
Bit	Read/ Write	Default /Hex	Description
31:0	/	/	/

6.4.9. PLL7-Video 1(Default: 0x0010D063)

Offset: 0x30			Register Name: PLL7_CFG_REG
Bit	Read/ Write	Default /Hex	Description
31	R/W	0x0	PLL7_Enable. 0: Disable, 1: Enable. In the integer mode, The PLL7 output=3MHz*M. In the fractional mode, the PLL7 output is select by bit 14. The PLL7 output range is 27MHz~381MHz.
30	/	/	/
29:27	/	/	/
23:21	/	/	/
15	R/W	0x1	PLL7_MODE_SEL. PLL7 mode select. 0: fractional mode, 1: integer mode.
14	R/W	0x1	PLL7_FRAC_SET. PLL7 fractional setting. 0: 270MHz, 1: 297MHz.
13	/	/	/
7	/	/	/
6:0	R/W	0x63	PLL7_FACTOR_M.



			PLL7 Factor M. The range is from 9 to 127.
--	--	--	---

6.4.10.PLL1-Tuning2 (Default: 0x00000000)

Offset: 0x38			Register Name: PLL1_TUN2_REG
Bit	Read/Write	Default/Hex	Description
31	R/W	0x0	SIG_DELT_PAT_EN. Sigma-delta pattern enable.
30:29	R/W	0x0	SPR_FREQ_MODE. Spread Frequency Mode. 00: DC=0 01: DC=1 10: Triangular 11: awmode
28:20	R/W	0x0	WAVE_STEP. Wave step.
19	/	/	/
18:17	R/W	0x0	FREQ. Frequency. 00: 31.5KHz 01: 32KHz 10: 32.5KHz 11: 33KHz
16:0	R/W	0x0	WAVE_BOT. Wave Bottom.

6.4.11.PLL5-Tuning2(Default: 0x00000000)

Offset: 0x3C			Register Name: PLL5_TUN2_REG
Bit	Read/Write	Default/Hex	Description
31	R/W	0x0	SIG_DELT_PAT_EN. Sigma-delta pattern enable.
30:29	R/W	0x0	SPR_FREQ_MODE. Spread Frequency Mode. 00: DC=0 01: DC=1 10: Triangular 11: awmode
28:20	R/W	0x0	WAVE_STEP.



			Wave step.
19	/	/	/
18:17	R/W	0x0	FREQ. Frequency. 00: 31.5KHz 01: 32KHz 10: 32.5KHz 11: 33KHz
16:0	R/W	0x0	WAVE_BOT. Wave Bottom.

6.4.12.OSC24M (Default: 0x00138013)

Offset: 0x50			Register Name: OSC24M_CFG_REG
Bit	Read/ Write	Default /Hex	Description
31:24	R/W	0x0	Reserved.
23:21	/	/	/
17	R/W	0x1	PLL_IN_PWR_SEL. PLL Input Power Select. 0: 2.5v, 1: 3.3v
16	R/W	0x1	LDO_EN. LDO Enable. 0: Disable, 1: Enable.
15	R/W	0x1	PLL_BIAS_EN. PLL Bias Enable. 0: disable, 1: enable.
14:5	/	/	/
3:2	/	/	/
1	R/W	0x1	OSC24M_GSM. OSC24M GSM.
0	R/W	0x1	OSC24M_EN. OSC24M Enable. 0: Disable, 1: Enable.

6.4.13.CPU/AHB/APB0 Clock Ratio(Default: 0x00010010)

Offset: 0x54			Register Name: CPU_AHB_APB0_CFG_REG
Bit	Read/ Write	Default /Hex	Description



31:24	/	/	/
23	/	/	/
22:18	/	/	/
17:16	R/W	0x1	CPU_CLK_SRC_SEL. CPU Clock Source Select. 00: 32KHz OSC(Internal) 01: OSC24M 10: PLL1 11: 200MHz(source from the PLL6). If the clock source is changed, at most to wait for 8 present running clock cycles.
15:14	/	/	/
13:12	/	/	/
11:10	/	/	/
9:8	R/W	0x0	APB0_CLK_RATIO. APB0 Clock divide ratio. APB0 clock source is AHB2 clock. 00: /2 01: /2 10: /4 11: /8
7:6	/	/	/
5:4	R/W	0x1	AHB_CLK_DIV_RATIO. AHB Clock divide ratio. AHB clock source is AXI Clock. 00: /1 01: /2 10: /4 11: /8
3:2	/	/	/
1:0	R/W	0x0	AXI_CLK_DIV_RATIO. AXI Clock divide ratio. AXI Clock source is CPU clock. 00: /1 01: /2 10: /3 11: /4

6.4.14.APB1 Clock Divide Ratio(Default: 0x00000000)

Offset: 0x58			Register Name: APB1_CLK_DIV_REG
Bit	Read/ Write	Default /Hex	Description



31	/	/	/
30:26	/	/	/
25:24	R/W	0x0	APB1_CLK_SRC_SEL. APB1 Clock Source Select 00: OSC24M 01: PLL6 (set to 1.2GHz) 10: 32KHz 11: / This clock is used for some special module apbclk(twi,uart, ps2, can, scr). Because these modules need special clock rate even if the apbclk changed.
23:18	/	/	/
17:16	R/W	0x0	CLK_RAT_N Clock pre-divide ratio (n) The select clock source is pre-divided by 2^n. The divider is 1/2/4/8.
15:5	/	/	/
4:0	R/W	0x0	CLK_RAT_M. Clock divide ratio (m) The pre-divided clock is divided by (m+1). The divider is from 1 to 32.

6.4.15.AXI Module Clock Gating(Default: 0x00000000)

Offset: 0x5C			Register Name: AXI_GATING_REG
Bit	Read/Write	Default/Hex	Description
31:1	/	/	/
0	R/W	0x0	DRAM_AXI_GATING. Gating AXI Clock for SDRAM(0: mask, 1: pass).

6.4.16.AHB Module Clock Gating Register 0(Default: 0x00000000)

Offset: 0x60			Register Name: AHB_GATING_REG0
Bit	Read/Write	Default/Hex	Description
31	/	/	/
30	/	/	/
29	/	/	/
28	/	/	/
27	/	/	/



26	/	/	Reserved
25	R/W	0x0	Gating AHB Clock for NC(0: mask, 1: pass).
24	R/W	0x0	Gating AHB Clock for PATA(0: mask, 1: pass).
23	R/W	0x0	Gating AHB Clock for SPI3(0: mask, 1: pass).
22	R/W	0x0	Gating AHB Clock for SPI2(0: mask, 1: pass).
21	R/W	0x0	Gating AHB Clock for SPI1(0: mask, 1: pass).
20	R/W	0x0	Gating AHB Clock for SPI0(0: mask, 1: pass).
19	/	/	/
18	R/W	0x0	Gating AHB Clock for TS(0: mask, 1: pass).
17	R/W	0x0	Gating AHB Clock for EMAC(0: mask, 1: pass).
16	R/W	0x0	Gating AHB Clock for ACE(0: mask, 1: pass).
15	/	/	/
14	R/W	0x0	Gating AHB Clock for SDRAM(0: mask, 1: pass).
13	R/W	0x0	Gating AHB Clock for NAND(0: mask, 1: pass).
12	R/W	0x0	Gating AHB Clock for NC(0: mask, 1: pass).
11	R/W	0x0	Gating AHB Clock for SD/MMC3(0: mask, 1: pass).
10	R/W	0x0	Gating AHB Clock for SD/MMC2(0: mask, 1: pass).
9	R/W	0x0	Gating AHB Clock for SD/MMC1(0: mask, 1: pass).
8	R/W	0x0	Gating AHB Clock for SD/MMC0(0: mask, 1: pass).
7	R/W	0x0	Gating AHB Clock for BIST(0: mask, 1: pass).
6	R/W	0x0	Gating AHB Clock for DMA(0: mask, 1: pass).
5	R/W	0x0	Gating AHB Clock for SS(0: mask, 1: pass).
4	/	/	/
3	R/W	0x0	Gating AHB Clock for USB EHCI1 (0: mask, 1: pass).
2	/	/	/
1	R/W	0x0	Gating AHB Clock for USB EHCI0 (0: mask, 1: pass).
0	R/W	0x0	Gating AHB Clock for USB0(0: mask, 1: pass).

6.4.17.AHB Module Clock Gating Register 1(Default: 0x00000000)

Offset: 0x64			Register Name: AHB_GATING_REG1
Bit	Read/Write	Default/Hex	Description
31:21	/	/	/
20	R/W	0x0	Gating AHB Clock for Mali-400(0: mask, 1: pass).
19	/	/	/
18	R/W	0x0	Gating AHB Clock for MP(0: mask, 1: pass).
17	/	/	/
16	/	/	/
15	R/W	0x0	Gating AHB Clock for DE-FE1(0: mask, 1: pass).



14	R/W	0x0	Gating AHB Clock for DE-FE0(0: mask, 1: pass).
13	R/W	0x0	Gating AHB Clock for DE-BE1(0: mask, 1: pass).
12	R/W	0x0	Gating AHB Clock for DE-BE0(0: mask, 1: pass).
11	R/W	0x0	Gating AHB Clock for HDMI(0: mask, 1: pass).
10	/	/	/
9	R/W	0x0	Gating AHB Clock for CSI1(0: mask, 1: pass).
8	R/W	0x0	Gating AHB Clock for CSI0(0: mask, 1: pass).
7	/	/	/
6	/	/	/
5	R/W	0x0	Gating AHB Clock for LCD1(0: mask, 1: pass).
4	R/W	0x0	Gating AHB Clock for LCD0(0: mask, 1: pass).
3	R/W	0x0	Gating AHB Clock for TVE 1(0: mask, 1: pass).
2	R/W	0x0	Gating AHB Clock for TVE 0(0: mask, 1: pass).
1	R/W	0x0	Gating AHB Clock for TVD(0: mask, 1: pass).
0	R/W	0x0	Gating AHB Clock for VE(0: mask, 1: pass).

6.4.18.APB0 Module Clock Gating(Default: 0x00000000)

Offset: 0x68			Register Name: APB0_GATING_REG
Bit	Read/Write	Default/Hex	Description
31:12	/	/	/
11	/	/	/
10	R/W	0x0	KEYPAD_APB_GATING. Gating APB Clock for Keypad(0: mask, 1: pass).
9	/	/	/
8	/	/	/
7	R/W	0x0	IR1_APB_GATING. Gating APB Clock for IR1(0: mask, 1: pass).
6	R/W	0x0	IR0_APB_GATING. Gating APB Clock for IR0(0: mask, 1: pass).
5	R/W	0x0	PIO_APB_GATING. Gating APB Clock for PIO(0: mask, 1: pass).
4	/	/	/
3	R/W	0x0	IIS_APB_GATING. Gating APB Clock for IIS(0: mask, 1: pass).
2	R/W	0x0	AC97_APB_GATING. Gating APB Clock for AC97(0: mask, 1: pass).
1	R/W	0x0	NC
0	R/W	0x0	CODEC_APB_GATING. Gating APB Clock for Audio CODEC (0: mask, 1: pass).

**6.4.19.APB1 Module Clock Gating(Default: 0x00000000)**

Offset: 0x6C			Register Name: APB1_GATING_REG
Bit	Read/ Write	Default /Hex	Description
31:24	/	/	/
23	R/W	0x0	UART7_APB_GATING. Gating APB Clock for UART7(0: mask, 1: pass).
22	R/W	0x0	UART6_APB_GATING. Gating APB Clock for UART6(0: mask, 1: pass).
21	R/W	0x0	UART5_APB_GATING. Gating APB Clock for UART5(0: mask, 1: pass).
20	R/W	0x0	UART4_APB_GATING. Gating APB Clock for UART4(0: mask, 1: pass).
19	R/W	0x0	UART3_APB_GATING. Gating APB Clock for UART3(0: mask, 1: pass).
18	R/W	0x0	UART2_APB_GATING. Gating APB Clock for UART2(0: mask, 1: pass).
17	R/W	0x0	UART1_APB_GATING. Gating APB Clock for UART1(0: mask, 1: pass).
16	R/W	0x0	UART0_APB_GATING. Gating APB Clock for UART0(0: mask, 1: pass).
15:8	/	/	/
7	R/W	0x0	PS21_APB_GATING. Gating APB Clock for PS2-1(0: mask, 1: pass).
6	R/W	0x0	PS20_APB_GATING. Gating APB Clock for PS2-0(0: mask, 1: pass).
5	R/W	0x0	SCR_APB_GATING. Gating APB Clock for SCR(0: mask, 1: pass).
4	R/W	0x0	CAN_APB_GATING. Gating APB Clock for CAN(0: mask, 1: pass).
3	/	/	/
2	R/W	0x0	TWI2_APB_GATING. Gating APB Clock for TWI2(0: mask, 1: pass).
1	R/W	0x0	TWI1_APB_GATING. Gating APB Clock for TWI1(0: mask, 1: pass).
0	R/W	0x0	TWI0_APB_GATING. Gating APB Clock for TWI0(0: mask, 1: pass).

**6.4.20.NAND Clock(Default: 0x00000000)**

Offset: 0x80			Register Name: NAND_SCLK_CFG_REG
Bit	Read/ Write	Default /Hex	Description
31	R/W	0x0	SCLK_GATING. Gating Special Clock(Max Clock = 200MHz) 0: Clock is OFF 1: Clock is ON This special clock = Clock Source/Divider N/Divider M.
30:26	/	/	/
25:24	R/W	0x0	CLK_SRC_SEL. Clock Source Select 00: OSC24M 01: PLL6 10: PLL5 11: /
23:18	/	/	/
17:16	R/W	0x0	CLK_DIV_RATIO_N. Clock pre-divide ratio (n) The select clock source is pre-divided by 2 ⁿ . The divider is 1/2/4/8.
15:4	/	/	/
3:0	R/W	0x0	CLK_DIV_RATIO_M Clock divide ratio (m) The pre-divided clock is divided by (m+1). The divider is from 1 to 16.

Note: In application, the module clock frequency always switches off.

6.4.21.SD/MMC 0 Clock(Default: 0x00000000)

Offset: 0x88			Register Name: SD0_CLK_REG
Bit	Read/ Write	Default /Hex	Description
31	R/W	0x0	SCLK_GATING. Gating Special Clock(Max Clock = 200MHz) 0: Clock is OFF 1: Clock is ON This special clock = Clock Source/Divider N/Divider M.
30:26	/	/	/
25:24	R/W	0x0	CLK_SRC_SEL.



			Clock Source Select 00: OSC24M 01: PLL6 10: PLL5 11: /
23:18	/	/	/
17:16	R/W	0x0	CLK_DIV_RATIO_N. Clock pre-divide ratio (n) The select clock source is pre-divided by 2^n. The divider is 1/2/4/8.
15:4	/	/	/
3:0	R/W	0x0	CLK_DIV_RATIO_M. Clock divide ratio (m) The pre-divided clock is divided by (m+1). The divider is from 1 to 16.

6.4.22.SD/MMC 1 Clock(Default: 0x00000000)

Offset: 0x8C			Register Name: SD1_CLK_REG
Bit	Read/ Write	Default /Hex	Description
31	R/W	0x0	SCLK_GATING. Gating Special Clock(Max Clock = 200MHz) 0: Clock is OFF 1: Clock is ON This special clock = Clock Source/Divider N/Divider M.
30:26	/	/	/
25:24	R/W	0x0	CLK_SRC_SEL. Clock Source Select 00: OSC24M 01: PLL6 10: PLL5 11: /
23:18	/	/	/
17:16	R/W	0x0	CLK_DIV_RATIO_N. Clock pre-divide ratio (n) The select clock source is pre-divided by 2^n. The divider is 1/2/4/8.
15:4	/	/	/
3:0	R/W	0x0	CLK_DIV_RATIO_M. Clock divide ratio (m) The pre-divided clock is divided by (m+1). The divider is from 1



			to 16.
--	--	--	--------

6.4.23.SD/MMC 2 Clock(Default: 0x00000000)

Offset: 0x90			Register Name: SD2_CLK_REG
Bit	Read/Write	Default/Hex	Description
31	R/W	0x0	SCLK_GATING. Gating Special Clock(Max Clock = 200MHz) 0: Clock is OFF 1: Clock is ON This special clock = Clock Source/Divider N/Divider M.
30:26	/	/	/
25:24	R/W	0x0	CLK_SRC_SEL. Clock Source Select 00: OSC24M 01: PLL6 10: PLL5 11: /
23:18	/	/	/
17:16	R/W	0x0	CLK_DIV_RATIO_N. Clock pre-divide ratio (n) The select clock source is pre-divided by 2^n. The divider is 1/2/4/8.
15:4	/	/	/
3:0	R/W	0x0	CLK_DIV_RATIO_M. Clock divide ratio (m) The pre-divided clock is divided by (m+1). The divider is from 1 to 16.

6.4.24.SD/MMC 3 Clock(Default: 0x00000000)

Offset: 0x94			Register Name: SD3_CLK_REG
Bit	Read/Write	Default/Hex	Description
31	R/W	0x0	SCLK_GATING. Gating Special Clock(Max Clock = 200MHz) 0: Clock is OFF 1: Clock is ON This special clock = Clock Source/Divider N/Divider M.
30:26	/	/	/
25:24	R/W	0x0	CLK_SRC_SEL.



			Clock Source Select 00: OSC24M 01: PLL6 10: PLL5 11: /
23:18	/	/	/
17:16	R/W	0x0	CLK_DIV_RATIO_N. Clock pre-divide ratio (n) The select clock source is pre-divided by 2^n. The divider is 1/2/4/8.
15:4	/	/	/
3:0	R/W	0x0	CLK_DIV_RATIO_M. Clock divide ratio (m) The pre-divided clock is divided by (m+1). The divider is from 1 to 16.

6.4.25. TS Clock(Default: 0x00000000)

Offset: 0x98			Register Name: TS_CLK_REG
Bit	Read/ Write	Default /Hex	Description
31	R/W	0x0	SCLK_GATING. Gating Special Clock(Max Clock = 200MHz) 0: Clock is OFF 1: Clock is ON This special clock = Clock Source/Divider N/Divider M.
30:26	/	/	/
25:24	R/W	0x0	CLK_SRC_SEL. Clock Source Select 00: OSC24M 01: PLL6 10: PLL5 11: /
23:18	/	/	/
17:16	R/W	0x0	CLK_DIV_RATIO_N. Clock pre-divide ratio (n) The select clock source is pre-divided by 2^n. The divider is 1/2/4/8.
15:4	/	/	/
3:0	R/W	0x0	CLK_DIV_RATIO_M. Clock divide ratio (m) The pre-divided clock is divided by (m+1). The divider is from 1



			to 16.
--	--	--	--------

6.4.26.SS Clock(Default: 0x00000000)

Offset: 0x9C			Register Name: SS_CLK_REG
Bit	Read/Write	Default/Hex	Description
31	R/W	0x0	SCLK_GATING. Gating Special Clock(Max Clock = 200MHz) 0: Clock is OFF 1: Clock is ON This special clock = Clock Source/Divider N/Divider M.
30:26	/	/	/
25:24	R/W	0x0	CLK_SRC_SEL. Clock Source Select 00: OSC24M 01: PLL6 10: PLL5 11: /
23:18	/	/	/
17:16	R/W	0x0	CLK_DIV_RATIO_N. Clock pre-divide ratio (n) The select clock source is pre-divided by 2^n. The divider is 1/2/4/8.
15:4	/	/	/
3:0	R/W	0x0	CLK_DIV_RATIO_M. Clock divide ratio (m) The pre-divided clock is divided by (m+1). The divider is from 1 to 16.

6.4.27.SPI0 Clock(Default: 0x00000000)

Offset: 0xA0			Register Name: SPI0_CLK_REG
Bit	Read/Write	Default/Hex	Description
31	R/W	0x0	SCLK_GATING. Gating Special Clock(Max Clock = 200MHz) 0: Clock is OFF 1: Clock is ON This special clock = Clock Source/Divider N/Divider M.
30:26	/	/	/
25:24	R/W	0x0	CLK_SRC_SEL.



			Clock Source Select 00: OSC24M 01: PLL6 10: PLL5 11: /
23:18	/	/	/
17:16	R/W	0x0	CLK_DIV_RATIO_N. Clock pre-divide ratio (n) The select clock source is pre-divided by 2 ⁿ . The divider is 1/2/4/8.
15:4	/	/	/
3:0	R/W	0x0	CLK_DIV_RATIO_M. Clock divide ratio (m) The pre-divided clock is divided by (m+1). The divider is from 1 to 16.

6.4.28.SPI1 Clock(Default: 0x00000000)

Offset: 0xA4			Register Name: SPI1_CLK_REG
Bit	Read/ Write	Default /Hex	Description
31	R/W	0x0	SCLK_GATING. Gating Special Clock(Max Clock = 200MHz) 0: Clock is OFF 1: Clock is ON This special clock = Clock Source/Divider N/Divider M.
30:26	/	/	/
25:24	R/W	0x0	CLK_SRC_SEL. Clock Source Select 00: OSC24M 01: PLL6 10: PLL5 11: /
23:18	/	/	/
17:16	R/W	0x0	CLK_DIV_RATIO_N. Clock pre-divide ratio (n) The select clock source is pre-divided by 2 ⁿ . The divider is 1/2/4/8.
15:4	/	/	/
3:0	R/W	0x0	CLK_DIV_RATIO_M. Clock divide ratio (m) The pre-divided clock is divided by (m+1). The divider is from 1 to



			16.
--	--	--	-----

6.4.29.SPI2 Clock(Default: 0x00000000)

Offset: 0xA8			Register Name: SPI2_CLK_REG
Bit	Read/Write	Default/Hex	Description
31	R/W	0x0	SCLK_GATING. Gating Special Clock(Max Clock = 200MHz) 0: Clock is OFF 1: Clock is ON This special clock = Clock Source/Divider N/Divider M.
30:26	/	/	/
25:24	R/W	0x0	CLK_SRC_SEL. Clock Source Select 00: OSC24M 01: PLL6 10: PLL5 11: /
23:18	/	/	/
17:16	R/W	0x0	CLK_DIV_RATIO_N. Clock pre-divide ratio (n) The select clock source is pre-divided by 2^n. The divider is 1/2/4/8.
15:4	/	/	/
3:0	R/W	0x0	CLK_DIV_RATIO_M. Clock divide ratio (m) The pre-divided clock is divided by (m+1). The divider is from 1 to 16.

6.4.30.IR 0 Clock(Default: 0x00000000)

Offset: 0xB0			Register Name: IR0_CLK_REG
Bit	Read/Write	Default/Hex	Description
31	R/W	0x0	SCLK_GATING. Gating Special Clock(Max Clock = 100MHz) 0: Clock is OFF 1: Clock is ON This special clock = Clock Source/Divider N/Divider M.
30:26	/	/	/
25:24	R/W	0x0	CLK_SRC_SEL.



			Clock Source Select 00: OSC24M 01: PLL6 10: PLL5 11: /
23:18	/	/	/
17:16	R/W	0x0	CLK_DIV_RATIO_N. Clock pre-divide ratio (n) The select clock source is pre-divided by 2^n. The divider is 1/2/4/8.
15:4	/	/	/
3:0	R/W	0x0	CLK_DIV_RATIO_M. Clock divide ratio (m) The pre-divided clock is divided by (m+1). The divider is from 1 to 16.

6.4.31. IR 1 Clock(Default: 0x00000000)

Offset: 0xB4			Register Name: IR1_CLK_REG
Bit	Read/Write	Default/Hex	Description
31	R/W	0x0	SCLK_GATING. Gating Special Clock(Max Clock = 100MHz) 0: Clock is OFF 1: Clock is ON This special clock = Clock Source/Divider N/Divider M.
30:26	/	/	/
25:24	R/W	0x0	CLK_SRC_SEL. Clock Source Select 00: OSC24M 01: PLL6 10: PLL5 11: /
23:18	/	/	/
17:16	R/W	0x0	CLK_DIV_RATIO. Clock pre-divide ratio (n) The select clock source is pre-divided by 2^n. The divider is 1/2/4/8.
15:4	/	/	/
3:0	R/W	0x0	CLK_DIV_RATIO_M. Clock divide ratio (m) The pre-divided clock is divided by (m+1). The divider is from 1 to



			16.
--	--	--	-----

6.4.32.IIS Clock(Default: 0x00000000)

Offset: 0xB8			Register Name: IIS_CLK_REG
Bit	Read/Write	Default/Hex	Description
31	R/W	0x0	SCLK_GATING. Gating Special Clock(Max Clock = 100MHz) 0: Clock is OFF 1: Clock is ON This special clock = Clock Source/Divider N.
30:25	/	/	/
24	/	/	/
23:18	/	/	/
17:16	R/W	0x0	CLK_DIV_RATIO_N. Clock pre-divide ratio (n) The select clock source is pre-divided by 2 ⁿ . The divider is 1/2/4/8. The clock source is PLL2 (8x).
15:4	/	/	/
3:0	/	/	/

6.4.33.AC97 Clock(Default: 0x00030000)

Offset: 0xBC			Register Name: AC97_CLK_REG
Bit	Read/Write	Default/Hex	Description
31	R/W	0x0	SCLK_GATING. Gating Special Clock(Max Clock = 100MHz) 0: Clock is OFF 1: Clock is ON This special clock = Clock Source/Divider N.
30:25	/	/	/
24	/	/	/
23:18	/	/	/
17:16	R/W	0x3	CLK_DIV_RATIO_N. Clock pre-divide ratio (n) The select clock source is pre-divided by 2 ⁿ . The divider is 1/2/4/8. The clock source is PLL2 (8x).



15:4	/	/	/
3:0	/	/	/

6.4.34. Keypad Clock(Default: 0x0000001F)

Offset: 0xC4			Register Name: KEYPAD_CLK_REG
Bit	Read/Write	Default/Hex	Description
31	R/W	0x0	SCLK_GATING. Gating Special Clock(Max Clock = 100MHz) 0: Clock is OFF 1: Clock is ON This special clock = Clock Source/Divider N/Divider M.
30:26	/	/	/
25:24	R/W	0x0	CLK_SRC_SEL. Clock Source Select 0: OSC24M 1: / 2: LOSC clock (32KHz) 3: /
23:18	/	/	/
17:16	R/W	0x0	CLK_RATIO_N. Clock pre-divide ratio (n) The select clock source is pre-divided by 2^n. The divider is 1/2/4/8.
15:5	/	/	/
4:0	R/W	0x1f	CLK_RATIO_M. Clock divide ratio (m) The pre-divided clock is divided by (m+1). The divider is from 1 to 32.

6.4.35. NC Clock(Default: 0x00000000)

Offset: 0xC8			Register Name: NC
Bit	Read/Write	Default/Hex	Description
31	R/W	0x0	SCLK_GATING. Gating Special Clock 0: Clock is OFF 1: Clock is ON
30:25	/	/	/
24	R/W	0x0	CLK_SRC_GATING.



			Clock Source Select 0: PLL6 for NC(100MHz) 1: External Clock
23:18	/	/	/
17:16	/	/	/
15:5	/	/	/
4:0	/	/	/

6.4.36.USB Clock(Default: 0x00000000)

Offset: 0xCC			Register Name: USB_CLK_REG
Bit	Read/Write	Default/Hex	Description
31:10	/	/	/
9	/	/	/
8	R/W	0x0	SCLK_GATING_USBPHY. Gating Special Clock for USB PHY0/1/2 0: Clock is OFF 1: Clock is ON
7:3	/	/	/
2	R/W	0x0	USBPHY2_RST. USB PHY2 Reset Control 0: Reset valid 1: Reset invalid
1	R/W	0x0	USBPHY1_RST. USB PHY1 Reset Control 0: Reset valid 1: Reset invalid
0	R/W	0x0	USBPHY0_RST. USB PHY0 Reset Control 0: Reset valid 1: Reset invalid

6.4.37.SPI3 Clock(Default: 0x00000000)

Offset: 0xD4			Register Name: SPI3_CLK_REG
Bit	Read/Write	Default/Hex	Description
31	R/W	0x0	SCLK_GATING. Gating Special Clock(Max Clock = 200MHz) 0: Clock is OFF 1: Clock is ON



			This special clock = Clock Source/Divider N/Divider M.
30:26	/	/	/
25:24	R/W	0x0	CLK_SRC_SEL. Clock Source Select 00: OSC24M 01: PLL6 10: PLL5 11: /
23:18	/	/	/
17:16	R/W	0x0	CLK_DIV_RATIO_N. Clock pre-divide ratio (n) The select clock source is pre-divided by 2 ⁿ . The divider is 1/2/4/8.
15:4	/	/	/
3:0	R/W	0x0	CLK_DIV_RATIO_M. Clock divide ratio (m) The pre-divided clock is divided by (m+1). The divider is from 1 to 16.

6.4.38.DRAM CLK(Default: 0x00000000)

Offset: 0x100			Register Name: DRAM_CLK_REG
Bit	Read/Write	Default/Hex	Description
31	/	/	/
30	/	/	/
29	R/W	0x0	ACE_DCLK_GATING. Gating DRAM Clock for ACE(0: mask, 1: pass).
28	R/W	0x0	DE_MP_DCLK_GATING. Gating DRAM Clock for DE_MP(0: mask, 1: pass).
27	R/W	0x0	BE1_DCLK_GATING. Gating DRAM Clock for DE_BE1(0: mask, 1: pass).
26	R/W	0x0	BE0_DCLK_GATING. Gating DRAM Clock for DE_BE0(0: mask, 1: pass).
25	R/W	0x0	FE0_DCLK_GATING. Gating DRAM Clock for DE_FE1(0: mask, 1: pass).
24	R/W	0x0	FE1_DCLK_GATING. Gating DRAM Clock for DE_FE0(0: mask, 1: pass).
23:16	/	/	/
15	R/W	0x0	DCLK_OUT_EN. DRAM Clock Output Enable(0: disable, 1: enable)
14:7	/	/	/



6	R/W	0x0	TVE1_DCLK_GATING. Gating DRAM Clock for TVE 1(0: mask, 1: pass).
5	R/W	0x0	TVE0_DCLK_GATING. Gating DRAM Clock for TVE 0(0: mask, 1: pass).
4	R/W	0x0	TVD_DCLK_GATING. Gating DRAM Clock for TVD(0: mask, 1: pass).
3	R/W	0x0	TS_DCLK_GATING. Gating DRAM Clock for TS(0: mask, 1: pass).
2	R/W	0x0	CSI1_DCLK_GATING. Gating DRAM Clock for CSI1(0: mask, 1: pass).
1	R/W	0x0	CSI0_DCLK_GATING. Gating DRAM Clock for CSI0(0: mask, 1: pass).
0	R/W	0x0	VE_DCLK_GATING. Gating DRAM Clock for VE(0: mask, 1: pass).

6.4.39.DE-BE 0 Clock(Default: 0x00000000)

Offset: 0x104			Register Name: BE0_SCLK_CFG_REG
Bit	Read/ Write	Default /Hex	Description
31	R/W	0x0	SCLK_GATING. Gating Special Clock 0: Clock is OFF 1: Clock is ON This special clock = Clock Source/Divider M.
30	R/W	0x0	BE0_RST. 0: reset valid, 1: reset invalid.
29:26	/	/	/
25:24	R/W	0x0	CLK_SRC_SEL. Clock Source Select 00: PLL3 01: PLL7 10: PLL5 11: /
23:18	/	/	/
17:16	/	/	/
15:4	/	/	/
3:0	R/W	0x0	CLK_DIV_RATIO_M. Clock divide ratio (m) The pre-divided clock is divided by (m+1). The divider is from 1 to 16.

**6.4.40.DE-BE 1 Clock(Default: 0x00000000)**

Offset: 0x108			Register Name: BE1_CLK_REG
Bit	Read/Write	Default/Hex	Description
31	R/W	0x0	SCLK_GATING. Gating Special Clock 0: Clock is OFF 1: Clock is ON This special clock = Clock Source/Divider M.
30	R/W	0x0	BE1_RST. DE-BE1 Reset. 0: reset valid, 1: reset invalid.
29:26	/	/	/
25:24	R/W	0x0	CLK_SRC_SEL. Clock Source Select 00: PLL3 01: PLL7 10: PLL5 11: /
23:18	/	/	/
17:16	/	/	/
15:4	/	/	/
3:0	R/W	0x0	CLK_DIV_RATIO_M. Clock divide ratio (m) The pre-divided clock is divided by (m+1). The divider is from 1 to 16.

6.4.41.DE-FE 0 Clock(Default: 0x00000000)

Offset: 0x10C			Register Name: FE0_CLK_REG
Bit	Read/Write	Default/Hex	Description
31	R/W	0x0	SCLK_GATING. Gating Special Clock 0: Clock is OFF 1: Clock is ON This special clock = Clock Source/Divider M.
30	R/W	0x0	FE0_RST. DE-FE0 Reset. 0: reset valid, 1: reset invalid.



29:26	/	/	/
25:24	R/W	0x0	CLK_SRC_SEL. Clock Source Select 00: PLL3 01: PLL7 10: PLL5 11: /
23:18	/	/	/
17:16	/	/	/
15:4	/	/	/
3:0	R/W	0x0	CLK_DIV_RATIO_M. Clock divide ratio (m) The pre-divided clock is divided by (m+1). The divider is from 1 to 16.

6.4.42.DE-FE 1 Clock(Default: 0x00000000)

Offset: 0x110			Register Name: FE1_CLK_REG
Bit	Read/ Write	Default /Hex	Description
31	R/W	0x0	SCLK_GATING. Gating Special Clock 0: Clock is OFF 1: Clock is ON This special clock = Clock Source/Divider M.
30	R/W	0x0	FE1_RST. DE-FE1 Reset. 0: reset valid, 1: reset invalid.
29:26	/	/	/
25:24	R/W	0x0	CLK_SRC_SEL. Clock Source Select 00: PLL3 01: PLL7 10: PLL5 11: /
23:18	/	/	/
17:16	/	/	/
15:4	/	/	/
3:0	R/W	0x0	CLK_DIV_RATIO_M. Clock divide ratio (m) The pre-divided clock is divided by (m+1). The divider is from 1 to 16.

**6.4.43.DE-MP Clock(Default: 0x00000000)**

Offset: 0x114			Register Name: MP_CLK_REG
Bit	Read/Write	Default/Hex	Description
31	R/W	0x0	SCLK_GATING. Gating Special Clock 0: Clock is OFF 1: Clock is ON This special clock = Clock Source/Divider M.
30	R/W	0x0	MP_RST. DE-MP Reset. 0: reset valid, 1: reset invalid.
29:26	/	/	/
25:24	R/W	0x0	CLK_SRC_SEL. Clock Source Select 00: PLL3 01: PLL7 10: PLL5 11: /
23:18	/	/	/
17:16	/	/	/
15:4	/	/	/
3:0	R/W	0x0	CLK_DIV_RATIO_M. Clock divide ratio (m) The pre-divided clock is divided by (m+1). The divider is from 1 to 16.

6.4.44.LCD 0 CH0 Clock(Default: 0x00000000)

Offset: 0x118			Register Name: LCD0_CH0_CLK_REG
Bit	Read/Write	Default/Hex	Description
31	R/W	0x0	SCLK_GATING. Gating Special Clock 0: Clock is OFF 1: Clock is ON This special clock = Clock Source
30	R/W	0x0	LCD0_RST. LCD0 Reset. 0: reset valid, 1: reset invalid.



29:26	/	/	/
25:24	R/W	0x0	CLK_SRC_SEL. Clock Source Select 00: PLL3(1X) 01: PLL7(1X) 10: PLL3(2X) 11: PLL7(2X)
23:18	/	/	/
17:16	/	/	/
15:4	/	/	/
3:0	/	/	/

6.4.45.LCD 1 CH0 Clock(Default: 0x00000000)

Offset: 0x11C			Register Name: LCD1_CH0_CLK_REG
Bit	Read/ Write	Default /Hex	Description
31	R/W	0x0	SCLK_GATING. Gating Special Clock 0: Clock is OFF 1: Clock is ON This special clock = Clock Source
30	R/W	0x0	LCD1_RST. LCD1 Reset. 0: reset valid, 1: reset invalid.
29:26	/	/	/
25:24	R/W	0x0	CLK_SRC_SEL. Clock Source Select 00: PLL3(1X) 01: PLL7(1X) 10: PLL3(2X) 11: PLL7(2X)
23:18	/	/	/
17:16	/	/	/
15:4	/	/	/
3:0	/	/	/

6.4.46.CSI-ISP(Default: 0x00000000)

Offset: 0x120			Register Name: CSI_ISP_CLK_REG
Bit	Read/ Write	Default	Description



	Write	/Hex	
31	R/W	0x0	SCLK_GATING. Gating Special Clock 0: Clock is OFF 1: Clock is ON This special clock = Clock Source/Divider M.
30:26	/	/	/
25:24	R/W	0x0	SCLK2_SRC_SEL. Special Clock 2 Source Select 00: PLL3(1X) 01: PLL4 10: PLL5 11: PLL6
23:4	/	/	/
3:0	R/W	0x0	CLK_DIV_RATIO_M. Clock divide ratio (m) The pre-divided clock is divided by (m+1). The divider is from 1 to 16.

6.4.47.TVD Clock(Default: 0x00000000)

Offset: 0x128			Register Name: TVD_CLK_REG
Bit	Read/ Write	Default /Hex	Description
31	R/W	0x0	SCLK_GATING. Gating Special Clock 0: Clock is OFF 1: Clock is ON This special clock = Clock Source.
30:25	/	/	/
24	R/W	0x0	CLK_SRC_SEL. Clock Source Select 0: PLL3 1: PLL7
23:18	/	/	/
17:16	/	/	/
15:4	/	/	/
3:0	/	/	/

6.4.48.LCD 0 CH1 Clock(Default: 0x00000000)

Offset: 0x12C	Register Name: LCD0_CH1_CLK_REG
---------------	---------------------------------



Bit	Read/ Write	Default /Hex	Description
31	R/W	0x0	SCLK2_GATING. Gating Special Clock 2 0: Clock is OFF 1: Clock is ON This special clock 2= Special Clock 2 Source/Divider M.
30:26	/	/	/
25:24	R/W	0x0	SCLK2_SEL. Special Clock 2 Source Select 00: PLL3(1X) 01: PLL7(1X) 10: PLL3(2X) 11: PLL7(2X)
23:18	/	/	/
17:16	/	/	/
15	R/W	0x0	SCLK1_GATING. Gating Special Clock 1 0: Clock is OFF 1: Clock is ON This special clock 1= Special Clock 1 Source.
14:12	/	/	/
11	R/W	0	SCLK1_SRC_SEL. Special Clock 1 Source Select. 0: Special Clock 2 1: Speical Clock 2 divide by 2
10:4	/	/	/
3:0	R/W	0x0	CLK_DIV_RATIO_M. Clock divide ratio (m) The pre-divided clock is divided by (m+1). The divider is from 1 to 16.

6.4.49.LCD 1 CH1 Clock(Default: 0x00000000)

Offset: 0x130			Register Name: LCD1_CH1_CLK_REG
Bit	Read/ Write	Default /Hex	Description
31	R/W	0x0	SCLK2_GATING. Gating Special Clock 2 0: Clock is OFF 1: Clock is ON This special clock 2= Special Clock 2 Source/Divider M.



30:26	/	/	/
25:24	R/W	0x0	SCLK2_SRC_SEL. Special Clock 2 Source Select 00: PLL3(1X) 01: PLL7(1X) 10: PLL3(2X) 11: PLL7(2X)
23:18	/	/	/
17:16	/	/	/
15	R/W	0x0	SCLK1_GATING. Gating Special Clock 1 0: Clock is OFF 1: Clock is ON This special clock 1= Special Clock 1 Source.
14:12	/	/	/
11	R/W	0x0	SCLK1_SRC_SEL. Special Clock 1 Source Select. 0: Special Clock 2 1: Speical Clock 2 divide by 2
10:4	/	/	/
3:0	R/W	0x0	CLK_DIV_RATIO_M. Clock divide ratio (m) The pre-divided clock is divided by (m+1). The divider is from 1 to 16.

6.4.50.CSI 0 Clock(Default: 0x00000000)

Offset: 0x134			Register Name: CSI0_CLK_REG
Bit	Read/ Write	Default /Hex	Description
31	R/W	0x0	SCLK_GATING. Gating Special Clock 0: Clock is OFF 1: Clock is ON This special clock = Clock Source/Divider M.
30	R/W	0x0	CSI0_RST. CSI0 Reset. 0: reset valid, 1: reset invalid.
29:27	/	/	/
26:24	R/W	0x0	CLK_SRC_SEL. Clock Source Select 000: OSC24M



			001: PLL3(1X) 010: PLL7(1X) 011: / 100: / 101: PLL3(2X) 110: PLL7(2X) 111: /
23:18	/	/	/
17:16	/	/	/
15:5	/	/	/
4:0	/	/	CLK_DIV_RATIO_M. Clock divide ratio (m) The pre-divided clock is divided by (m+1). The divider is from 1 to 32.

6.4.51.CSI 1 Clock(Default: 0x00000000)

Offset: 0x138			Register Name: CSI1_CLK_REG
Bit	Read/ Write	Default /Hex	Description
31	R/W	0x0	SCLK_GATING. Gating Special Clock 0: Clock is OFF 1: Clock is ON This special clock = Clock Source/Divider M.
30	R/W	0x0	CSI1_RST. CSI1 Reset. 0: reset valid, 1: reset invalid.
29:27	/	/	/
26:24	R/W	0x0	Clock Source Select 000: OSC24M 001: PLL3(1X) 010: PLL7(1X) 011: / 100: / 101: PLL3(2X) 110: PLL7(2X) 111: /
23:18	/	/	/
17:16	/	/	/
15:5	/	/	/
4:0	R/W	0x0	CLK_DIV_RATIO_M.



			Clock divide ratio (m) The pre-divided clock is divided by (m+1). The divider is from 1 to 32.
--	--	--	---

6.4.52.VE Clock(Default: 0x00000000)

Offset: 0x13C			Register Name: VE_CLK_REG
Bit	Read/Write	Default/Hex	Description
31	R/W	0x0	SCLK_GATING. Gating the Special clock for VE(0: mask, 1: pass). Its clock source is the PLL4 output. This special clock = Clock Source/Divider N.
30:19	/	/	/
18:16	R/W	0x0	CLK_DIV_RATIO_N. Clock pre-divide ratio (N) The select clock source is pre-divided by n+1. The divider is from 1 to 8.
15:1	/	/	/
0	R/W	0x0	VE_RST. VE Reset. 0: reset valid, 1: reset invalid.

6.4.53.Audio Codec Clock(Default: 0x00000000)

Offset: 0x140			Register Name: AUDIO_CODEC_CLK_REG
Bit	Read/Write	Default/Hex	Description
31	R/W	0x0	SCLK_GATING. Gating Special Clock 0: Clock is OFF 1: Clock is ON This special clock = PLL2 output.
30:26	/	/	/
25:24	/	/	/
23:18	/	/	/
17:16	/	/	/
15:4	/	/	/
3:0	/	/	/

**6.4.54.AVS Clock(Default: 0x00000000)**

Offset: 0x144			Register Name: AVS_CLK_REG
Bit	Read/Write	Default/Hex	Description
31	R/W	0x0	SCLK_GATING. Gating Special Clock 0: Clock is OFF 1: Clock is ON This special clock = OSC24M.
30:26	/	/	/
25:24	/	/	/
23:18	/	/	/
17:16	/	/	/
15:4	/	/	/
3:0	/	/	/

6.4.55.ACE Clock(Default: 0x00000000)

Offset: 0x148			Register Name: ACE_CLK_REG
Bit	Read/Write	Default/Hex	Description
31	R/W	0x0	SCLK_GATING. Gating Special Clock(Max Clock = 200MHz) 0: Clock is OFF 1: Clock is ON This special clock = Clock Source/Divider M.
30:25	/	/	/
24	R/W	0x0	CLK_SRC_SEL. Clock Source Select 0: PLL4 1: PLL5
23:17	/	/	/
16	R/W	0x0	ACE_RST. ACE Reset. 0: reset valid, 1: reset invalid
15:4	/	/	/
3:0	R/W	0x0	CLK_DIV_RATIO_M. Clock divide ratio (m) The pre-divided clock is divided by (m+1). The divider is from 1 to 16.

**6.4.56.LVDS Clock(Default: 0x00000000)**

Offset: 0x14C			Register Name:LVDS_CLK_REG
Bit	Read/ Write	Default /Hex	Description
31:1	/	/	/
0	R/W	0x0	LVDS_RST. LVDS reset. 0: reset valid, 1: reset invalid.

6.4.57.HDMI Clock(Default: 0x00000000)

Offset: 0x150			Register Name: HDMI_CLK_REG.
Bit	Read/ Write	Default /Hex	Description
31	R/W	0x0	SCLK_GATING. Gating Special Clock 0: Clock is OFF 1: Clock is ON This special clock = Clock Source/ Divider M
30:26	/	/	/
25:24	R/W	0x0	CLK_SRC_SEL. Clock Source Select 00: PLL3(1X) 01: PLL7(1X) 10: PLL3(2X) 11: PLL7(2X)
23:4	/	/	/
3:0	R/W	0x0	CLK_DIV_RATIO_M. Clock divide ratio (m) The pre-divided clock is divided by (m+1). The divider is from 1 to 16.

6.4.58.Mali400 Clock(Default: 0x00000000)

Offset: 0x154			Register Name: MALI400_CLK_REG
Bit	Read/ Write	Default /Hex	Description
31	R/W	0x0	SCLK_GATING. Gating Special Clock(Max Clock = 381MHz) 0: Clock is OFF



			1: Clock is ON This special clock = Clock Source/Divider M.
30	R/W	0x0	MALI400_RST. Mali400 Reset. 0: reset valid, 1: reset invalid
29:26	/	/	/
25:24	R/W	0x0	CLK_SRC_SEL. Clock Source Select 00: PLL3 01: PLL4 10: PLL5 11: PLL7.
23:18	/	/	/
17:16	/	/	/
15:4	/	/	/
3:0	R/W	0x0	CLK_DIV_RATIO_M. Clock divide ratio (m) The pre-divided clock is divided by (m+1). The divider is from 1 to 16.

7. System Control

7.1. Overview

A10 embeds a high-speed SRAM which has been split into five segments. See detailed memory mapping in following table:

Area	Address	Size(Bytes)
A1	0x00000000--0x00003FFF	16K
A2	0x00004000--0x00007FFF	16K
A3	0x00008000--0x0000B3FF	13K
A4	0x0000B400--0x0000BFFF	3K
C1	0x01D00000-0x01D7FFFF	VE
C2	0x01D80000-0x01D9FFFF	ACE
C3	0x01DC0000-0x01DCFFFF	ISP
NAND		2K
D(USB)	0x00010000—0x00010FFF	4K
B(Secure RAM)	0x00020000--0x0002FFFF	64K
CPU I-Cache		32K



CPU D-Cache		32K
CPU L2 Cache		256K
Total		K

7.2. System Control Register List

Module Name	Base Address
SRAM	0x01C00000

Register Name	Offset	Description
SRAM_CTRL_REG0	0x0000	SRAM Control Register 0
SRAM_CTRL_REG1	0x0004	SRAM Control Register 1

7.3. System Control Register

7.3.1. SRAM Control Register 0(Default: 0x7FFFFFFF)

Offset: 0x00			Register Name: SRAM_CTRL_REG0
Bit	Read/ Write	Default /Hex	Description
31	/	/	/
30:0	R/W	0x7fffff	SRAM_C1_MAP. SRAM Area C1 50K Bytes Configuration by AHB. 0: map to CPU/DMA 1: map to VE

7.3.2. SRAM Control Register 1(Default: 0x00001300)

Offset: 0x04			Register Name: SRAM_CTRL_REG1
Bit	Read/ Write	Default /Hex	Description
31	R/W	0x0	BIST_NDMA_CTRL_SEL. Bist and Normal DMA control select. 0: N-DMA, 1: Bist.
30:20	/	/	/
19	/	/	Reserved
18	/	/	Reserved
17	/	/	Reserved
16	/	/	Reserved



15:13	/	/	/
12	R/W	0x1	SRAM_C3_MAP. SRAM C3 map config. 0: map to CPU/BIST 1: map to ISP
11:10	/	/	/
9:8	R/W	0x3	SRAM_C2_MAP. SRAM C2 map config. 0: map to CPU/BIST 1: map to AE 2: map to CE 3: map to ACE
7:6	/	/	/
5:4	R/W	0x0	SRAM_A3_A4_MAP. SRAM Area A3/A4 Configuration by AHB. 00: map to CPU/DMA 01: map to EMAC 10/11: /
3:1	/	/	/
0	R/W	0x0	SRAMD_MAP. SRAM D Area Config. 0: map to CPU/DMA 1: map to USB0



8. TrustZone Protection Controller Unit

8.1. Overview

The TZPC provides a software interface to the protection bits in a secure system in a TrustZone design. It provides system flexibility that enables to configure different areas of memory as secure or non-secure.

8.2. TZPC Configuration

The following table shows the configurable region

Register	Bit	TZPC0 Module Name	TZPC1 Module Name	TZPC2 Module Name
TZPCDECPORT0	[0]	INTC	/	/
	[1]	RTC&ALARM	/	/
	[2]	/	/	/
	[3]	/	/	/
	[4]	/	/	/
	[5]	/	/	/
	[6]	/	/	/
	[7]	/	/	/

8.3. TZPC Register List

Module Name	Base Address
TZPC	0x01C23400

Register Name	Offset	Description
TZPC_R0SIZE_REG	0x0000	TZPC R0SIZE register
TZPC_DECPORT0_STA_REG	0x0004	TZPC Decode Port0 Status
TZPC_DECPORT0_SET_REG	0x0008	TZPC Decode Port0 Set
TZPC_DECPORT0_CLR_REG	0x000C	TZPC Decode Port0 Clear
CPU_CTRL_REG	0x0020	CPU Control Register



8.4. TZPC Register

8.4.1. TZPC R0SIZE Register(Default : 0x00000010)

Offset: 0x00			Register Name: TZPC_R0SIZE_REG
Bit	Read/Write	Default/Hex	Description
31:10	/	/	/
9:0	R	0x10	SEC_RAM_SIZE. Secure RAM region size in 4KB step. 0x000: = no secure region 0x001: = 4KB secure region 0x002: = 8KB secure region 0x003: = 12KB secure region 0x004: = 16KB secure region 0x005: = 20KB secure region 0x010: = 64KB secure region 0x1FF: = 2044KB secure region 0x200 or above sets the entire RAM to secure regardless of size.

8.4.2. TZPC DECPORT0Status Register(Default : 0x00000000)

Offset: 0x04			Register Name: TZPC_DECPORT0_STA_REG
Bit	Read/Write	Default/Hex	Description
31:8	/	/	/
7:0	R	0x0	STA_DEC_PROT_OUT. Show the status of the decode protection output: 0: = Decode region corresponding to the bit is secure 1: = Decode region corresponding to the bit is non-secure. There is one bit of the register for each protection output.

8.4.3. TZPC DECPORT0Set Register(Default : 0x00000000)

Offset: 0x08			Register Name: TZPC_DECPORT0_SET_REG
Bit	Read/Write	Default/Hex	Description
31:8	/	/	/



7:0	R/W	0x0	SET_DEC_PORT_OUT. Sets the corresponding decode protection output: 0: = No effect 1: = Set decode region to non-secure. There is one bit of the register for each protection output.
-----	-----	-----	--

8.4.4. TZPC DECPORT0Clear Register(Default : 0x00000000)

Offset: 0x0C			Register Name: TZPC_DECPORT0_CLR_REG
Bit	Read/Write	Default/Hex	Description
31:8	/	/	/
7:0	R/W	0x0	CLR_DEC_PROT_OUT. Clears the corresponding decode protection output: 0: = No effect 1: = Set decode region to secure. There is one bit of the register for each protection output.

8.4.5. CPU Control Register(Default :0x00000002)

Offset: 0x20			Register Name: CPU_CTRL_REG
Bit	Read/Write	Default/Hex	Description
31:8	/	/	/
7:1	/	/	Reserved
0	R/W	0x0	CP15SDISABLE. Disable write access to certain CP15 registers. 0: enable 1: disable



9. Pulse Width Modulator

9.1. Overview

The output of the PWM is a toggling signal whose frequency and duty cycle can be modulated by its programmable registers. Each channel has a dedicated internal 16-bit up counter. If the counter reaches the value stored in the channel period register, it will reset. At the beginning of a count period cycle, the PWMOUT is set to active state and counts from 0x0000.

The PWM divider divides the clock (24MHz) by 1-4096 according to the pre-scalar bits in the PWM control register.

In PWM cycle mode, the output will be a square waveform, and the frequency is set to the period register. In PWM pulse mode, the output will be either a positive pulse or a negative pulse.

9.2. PWM Register List

Module Name	Base Address
PWM	0x01C20C00

Register Name	Offset	Description
PWM_CTRL_REG	0x0200	PWM Control Register
PWM_CH0_PERIOD	0x0204	PWM Channel 0 Period Register
PWM_CH1_PERIOD	0x0208	PWM Channel 1 Period Register

9.3. PWM Register Description

9.3.1. PWM Control Register (Default: 0x00000000)

Offset: 0x200			Register Name: PWM_CTRL_REG
Bit	Read/ Write	Default /Hex	Description
31:24	/	/	/
23	R/W	0x0	PWM_CH1_PULSE_OUT_START. PWM Channel 1 pulse output start. 0: no effect, 1: output 1 pulse.



			The pulse width should be according to the period 1 register[15:0],and the pulse state should be according to the active state. After the pulse is finished,the bit will be cleared automatically.
22	R/W	0x0	PWM_CH1_MODE. PWM Channel 1 mode. 0: cycle mode, 1: pulse mode.
21	R/W	0x0	PWM_CH1_CLK_GATING Gating the Special Clock for PWM1(0: mask, 1: pass).
20	R/W	0x0	PWM_CH1_ACT_STATE. PWM Channel 1 Active State. 0: Low Level, 1: High Level.
19	R/W	0x0	PWM_CH1_EN. PWM Channel 1 Enable. 0: Disable, 1: Enable.
18:15	R/W	0x0	PWM_CH1_PRESCAL. PWM Channel 1 Prescalar. These bits should be setting before the PWM Channel 1 clock gate on. 0000: /120 0001: /180 0010: /240 0011: /360 0100: /480 0101: / 0110: / 0111: / 1000: /12k 1001: /24k 1010: /36k 1011: /48k 1100: /72k 1101: / 1110: / 1111: /
14:9	/	/	/
8	R/W	0x0	PWM_CH0_PUL_START. PWM Channel 0 pulse output start. 0: no effect, 1: output 1 pulse. The pulse width should be according to the period 0 register[15:0],and the pulse state should be according to the active state. After the pulse is finished,the bit will be cleared automatically.
7	R/W	0x0	PWM_CHANNEL0_MODE. 0: cycle mode, 1: pulse mode.
6	R/W	0x0	SCLK_CH0_GATING.



			Gating the Special Clock for PWM0(0: mask, 1: pass).
5	R/W	0x0	PWM_CH0_ACT_STA. PWM Channel 0 Active State. 0: Low Level, 1: High Level.
4	R/W	0x0	PWM_CH0_EN. PWM Channel 0 Enable. 0: Disable, 1: Enable.
3:0	R/W	0x0	PWM_CH0_PRESCAL. PWM Channel 0 Prescaler. These bits should be setting before the PWM Channel 0 clock gate on. 0000: /120 0001: /180 0010: /240 0011: /360 0100: /480 0101: / 0110: / 0111: / 1000: /12k 1001: /24k 1010: /36k 1011: /48k 1100: /72k 1101: / 1110: / 1111: /

9.3.2. PWM Channel 0 Period Register

Offset: 0x204			Register Name: PWM_CH0_PERIOD
Bit	Read/ Write	Default /Hex	Description
31:24	/	/	/
23:16	R/W	x	PWM_CH0_ENTIRE_CYS Number of the entire cycles in the PWM clock. 0 = 1 cycle 1 = 2 cycles N = N+1 cycles If the register need to be modified dynamically, the PCLK should be faster than the PWM CLK(PWM CLK = 24MHz/prescale).
15:8	/	/	/



7:0	R/W	x	<p>PWM_CH0_ENTIRE_ACT_CYS</p> <p>Number of the active cycles in the PWM clock.</p> <p>0 = 0 cycle</p> <p>1 = 1 cycles</p> <p>.....</p> <p>N = N cycles</p>
-----	-----	---	--

Note: the active cycles should be no larger than the period cycles.

9.3.3.PWM Channel 1 Period Register

Offset: 0x208			Register Name: PWM_CH1_PERIOD
Bit	Read/Write	Default/Hex	Description
31:24	/	/	/
23:16	R/W	x	<p>PWM_CH1_ENTIRE_CYS</p> <p>Number of the entire cycles in the PWM clock.</p> <p>0 = 1 cycle</p> <p>1 = 2 cycles</p> <p>.....</p> <p>N = N+1</p> <p>If the register need to be modified dynamically, the PCLK should be faster than the PWM CLK(PWM CLK = 24MHz/prescale).</p>
15:8	/	/	/
7:0	R/W	x	<p>PWM_CH1_ENTIRE_CYS</p> <p>Number of the active cycles in the PWM clock.</p> <p>0 = 0 cycle</p> <p>1 = 1 cycles</p> <p>.....</p> <p>N = N cycles</p>



10. Timer Controller

10.1. Overview

The chip implements 6 timers. Timer 0 and 1 can take their inputs from internal RC oscillator, external 32768Hz crystal or OSC24M. They provide the operating system's scheduler interrupt. They are designed to offer maximum accuracy and efficient management, even for systems with long or short response time. They provide 24-bit programmable overflow counter and work in auto-reload mode or no-reload mode. Timer 2 is used for OS to generate a periodic interrupt.

The Watchdog timer is a timing device that resumes the controller operation after malfunctioning due to noise and system errors. The watchdog timer can be used as a normal 16-bit interval timer to request interrupt service. The watchdog timer generates a general reset signal.

The Real Time Clock (RTC) can be used as a calendar. RTC can operate using the backup battery while the system power is off. Although power is off, backup battery can store the time by Second, Minute, Hour (HH-MM-SS), Day, Month, and Year (YY-MM-DD) data. It has a built-in leap year generator and an independent power pin (RTCVDD).

The Alarm generates an alarm signal at a specified time in the power-off mode or normal operation mode. In normal operation mode, both the alarm interrupt and the power management wakeup are activated. In power-off mode, the power management wakeup signal is activated.

10.2. Timer Register List

Module Name	Base Address
Timer	0x01C20C00

Register Name	Offset	Description
TMR_IRQ_EN_REG	0x0000	Timer IRQ Enable
TMR_IRQ_STA_REG	0x0004	Timer Status
TMR0_CTRL_REG	0x0010	Timer 0 Control
TMR0_INTV_VALUE_REG	0x0014	Timer 0 Interval Value
TMR0_CUR_VALUE_REG	0x0018	Timer 0 Current Value
TMR1_CTRL_REG	0x0020	Timer 1 Control
TMR1_INTV_VALUE_REG	0x0024	Timer 1 Interval Value
TMR1_CUR_VALUE_REG	0x0028	Timer 1 Current Value
TMR2_CTRL_REG	0x0030	Timer 2 Control



TMR2_INTV_VALUE_REG	0x0034	Timer 2 Interval Value
TMR2_CUR_VALUE_REG	0x0038	Timer 2 Current Value
TMR3_CTRL_REG	0x0040	Timer 3 Control
TMR3_INTV_VALUE_REG	0x0044	Timer 3 Interval Value
TMR4_CTRL_REG	0x0050	Timer 4 Control
TMR4_INTV_VALUE_REG	0x0054	Timer 4 Interval Value
TMR4_CUR_VALUE_REG	0x0058	Timer 4 Current Value
TMR5_CTRL_REG	0x0060	Timer 5 Control
TMR5_INTV_VALUE_REG	0x0064	Timer 5 Interval Value
TMR5_CUR_VALUE_REG	0x0068	Timer 5 Current Value
AVS_CNT_CTL_REG	0x0080	AVS Control Register
AVS_CNT0_REG	0x0084	AVS Counter 0 Register
AVS_CNT1_REG	0x0088	AVS Counter 1 Register
AVS_CNT_DIV_REG	0x008C	AVS Divisor
WDOG_CTRL_REG	0x0090	Watchdog Control
WDOG_MODE_REG	0x0094	Watchdog Mode
CNT64_CTRL_REG	0x00A0	64-bit Counter control
CNT64_LO_REG	0x00A4	64-bit Counter low
CNT64_HI_REG	0x00A8	64-bit Counter high
LOSC_CTRL_REG	0x0100	Low Oscillator Control
RTC_YY_MM_DD_REG	0x0104	RTC Year-Month-Day
RTC_HH_MM_SS_REG	0x0108	RTC Hour-Minute-Second
DD_HH_MM_SS_REG	0x010C	Alarm Day-Hour-Minute-Second
ALARM_WK_HH_MM-SS	0x0110	Alarm Week HMS
ALARM_EN_REG	0x0114	Alarm Enable
ALARM_IRQ_EN	0x0118	Alarm IRQ Enable
ALARM_IRQ_STA_REG	0x011C	Alarm IRQ Status
TMR_GP_DATA_REG0	0x0120	Timer general purpose register 0
TMR_GP_DATA_REG1	0x0124	Timer general purpose register 1
TMR_GP_DATA_REG2	0x0128	Timer general purpose register 2
TMR_GP_DATA_REG3	0x012C	Timer general purpose register 3
CPU_CFG_REG	0x0140	CPU configuration register

10.3. Timer Programmable Register

10.3.1. Timer IRQ Enable Register(Default: 0x00000000)

Offset: 0x00			Register Name: TMR_IRQ_EN_REG
Bit	Read/ Write	Default /Hex	Description



31:9	/	/	/
8	R/W	0x0	WDOG_IRQ_EN. Watchdog Interrupt Enable. 0: No effect 1: watchdog Interval Value reached interrupt enable.
7:6	/	/	/
5	R/W	0x0	TMR5_IRQ_EN. Timer 5 Interrupt Enable. 0: No effect 1: Timer 5 Interval Value reached interrupt enable.
4	R/W	0x0	TMR4_IRQ_EN. Timer 4 Interrupt Enable. 0: No effect 1: Timer 4 Interval Value reached interrupt enable.
3	R/W	0x0	TMR3_IRQ_EN. Timer 3 Interrupt Enable. 0: No effect 1: Timer 3 Interval Value reached interrupt enable.
2	R/W	0x0	TMR2_IRQ_EN. Timer 2 Interrupt Enable. 0: No effect 1: Timer 2 Interval Value reached interrupt enable.
1	R/W	0x0	TMR1_IRQ_EN. Timer 1 Interrupt Enable. 0: No effect 1: Timer 1 Interval Value reached interrupt enable.
0	R/W	0x0	TMR0_IRQ_EN. Timer 0 Interrupt Enable. 0: No effect 1: Timer 0 Interval Value reached interrupt enable.

10.3.2. Timer IRQ Status Register(Default: 0x00000000)

Offset: 0x04			Register Name: TMR_IRQ_STA_REG
Bit	Read/ Write	Default /Hex	Description
31:9	/	/	/
8	R/W	0x0	WDOG_IRQ_PEND. Watchdog IRQ Pending. Set 1 to the bit will clear it. 0: No effect, 1: Pending, Watchdog counter value is reached.
7:6	/	/	/
5	R/W	0x0	TMR5_IRQ_PEND.



			Timer 5 IRQ Pending. Set 1 to the bit will clear it. 0: No effect 1: Pending, timer 3 counter value is reached.
4	R/W	0x0	TMR4_IRQ_PEND. Timer 4 IRQ Pending. Set 1 to the bit will clear it. 0: No effect 1: Pending, timer 3 counter value is reached.
3	R/W	0x0	TMR3_IRQ_PEND. Timer 3 IRQ Pending. Set 1 to the bit will clear it. 0: No effect 1: Pending, timer 3 counter value is reached.
2	R/W	0x0	TMR2_IRQ_PEND. Timer 2 IRQ Pending. Set 1 to the bit will clear it. 0: No effect 1: Pending, timer 2 counter value is reached.
1	R/W	0x0	TMR1_IRQ_PEND. Timer 1 IRQ Pending. Set 1 to the bit will clear it. 0: No effect 1: Pending, timer 1 interval value is reached.
0	R/W	0x0	TMR0_IRQ_PEND. Timer 0 IRQ Pending. Set 1 to the bit will clear it. 0: No effect 1: Pending, timer 0 interval value is reached.

10.3.3.Timer 0 Control Register(Default: 0x00000004)

Offset: 0x10			Register Name: TMR0_CTRL_REG
Bit	Read/Write	Default/Hex	Description
31:8	/	/	/
7	R/W	0x0	TMR0_MODE. Timer0 mode. 0: Continous mode. When interval value reached, the timer will not disable automatically. 1: Single mode. When interval value reached, the timer will disable automatically.
6:4	R/W	0x0	TMR0_CLK_PRES. Select the pre-scale of timer 0 clock source. 000: /1 001: /2 010: /4 011: /8



			100: /16 101: /32 110: /64 111: /128
3:2	R/W	0x1	TMR0_CLK_SRC. Timer 0 Clock Source. 00: Low speed OSC, 01: OSC24M. 10: PLL6/6 11: /
1	R/W	0x0	TMR0_RELOAD. Timer 0 Reload. 0: No effect, 1: Reload timer 0 Interval value.
0	R/W	0x0	TMR0_EN. Timer 0 Enable. 0: Stop/Pause, 1: Start. If the timer is started, it will reload the interval value to internal register, and the current counter will count from interval value to 0. If the current counter does not reach the zero, the timer enable bit is set to "0", the current value counter will pause. At least wait for 2 Tcylces, the start bit can be set to 1. In timer pause state, the interval value register can be modified. If the timer is started again, and the Software hope the current value register to down-count from the new interval value, the reload bit and the enable bit should be set to 1 at the same time.

Note: the time between the timer disabled and enabled should be larger than $2 * T_{cylces}$ ($T_{cylces} = \text{Timer clock source/pre-scale}$).

10.3.4. Timer 0 Interval Value Register

Offset: 0x14			Register Name: TMR0_INTV_VALUE_REG
Bit	Read/ Write	Default /Hex	Description
31:0	R/W	x	TMR0_INTV_VALUE. Timer 0 Interval Value.

Note: the value setting should consider the system clock and the timer clock source.

10.3.5. Timer 0 Current Value Register

Offset: 0x18			Register Name: TMR0_CUR_VALUE_REG
Bit	Read/ Write	Default /Hex	Description



31:0	R/W	0x0	TMR0_CUR_VALUE. Timer 0 Current Value.
------	-----	-----	---

Note: Timer 0 current value is a 32-bit down-counter(from interval value to 0). This register can be read correctly if the PCLK is faster than 2*TimerFreq(TimerFreq = TimerClkSource/pre-scale).

10.3.6.Timer 1 Control Register(Default: 0x00000004)

Offset: 0x20			Register Name: TMR1_CTRL_REG
Bit	Read/Write	Default/Hex	Description
31:8	/	/	/
7	R/W	0x0	TMR1_MODE. Timer1 mode. 0: Continous mode. When interval value reached, the timer will not disable automatically. 1: Single mode. When interval value reached, the timer will disable automatically.
6:4	R/W	0x0	TMR1_CLK_PRE. Select the pre-scale of timer 1 clock source. 000: /1 001: /2 010: /4 011: /8 100: /16 101: /32 110: /64 111: /128
3:2	R/W	0x1	TMR1_CLK_SRC. Timer 1 Clock Source. 00: Low speed OSC, 01: OSC24M. 10: PLL6/6 11: /
1	R/W	0x0	TMR1_RELOAD. Timer 1 Reload. 0: No effect, 1: Reload timer 1 Interval value.
0	R/W	0x0	TMR1_EN. Timer 1 Enable. 0: Stop/Pause, 1: Start. If the timer is started, it will reload the interval value to internal register, and the current counter will count from interval value to 0. If the current counter does not reach the zero, the timer enable bit is set



			to “0”, the current value counter will pause. At least wait for 2 Tcylces, the start bit can be set to 1. In timer pause state, the interval value register can be modified. If the timer is started again, and the Software hope the current value register to down-count from the new interval value, the reload bit and the enable bit should be set to 1 at the same time.
--	--	--	---

Note: the time between the timer disabled and enabled should be larger than $2 * Tcylces(Tcylces = \text{Timer clock source/pre-scale})$.

10.3.7.Timer 1 Interval Value Register

Offset: 0x24			Register Name: TMR1_INTV_VALUE_REG
Bit	Read/Write	Default/Hex	Description
31:0	R/W	x	TMR1_INTV_VALUE. Timer 1 Interval Value.

Note: the value setting should consider the system clock and the timer clock source.

10.3.8.Timer 1 Current Value Register

Offset: 0x28			Register Name: TMR1_CUR_VALUE_REG
Bit	Read/Write	Default/Hex	Description
31:0	R/W	0x0	TMR1_CUR_VALUE. Timer 1 Current Value.

Note: Timer 1 current value is a 32-bit down-counter(from interval value to 0). This register can be read correctly if the PCLK is faster than $2 * \text{TimerFreq}(\text{TimerFreq} = \text{TimerClkSource/pre-scale})$.

10.3.9.Timer 2 Control Register(Default: 0x00000004)

Offset: 0x30			Register Name: TMR2_CTRL_REG
Bit	Read/Write	Default/Hex	Description
31:8	/	/	/
7	R/W	0x0	TMR2_MODE. Timer2 mode. 0: Continous mode. When interval value reaches, the timer will not disable automatically. 1: Single mode. When interval value reaches, the timer will disable automatically.
6:4	R/W	0x0	TMR2_CLK_PRES.



			Select the pre-scale of timer 2 clock source. 000: /1 001: /2 010: /4 011: /8 100: /16 101: /32 110: /64 111: /128
3:2	R/W	0x1	TMR2_CLK_SRC. Timer 2 Clock Source. 00: Low speed OSC, 01: OSC24M. 1x: /
1	R/W	0x0	TMR2_RELOAD. Timer 2 Reload. 0: No effect, 1: Reload timer 2 Interval value.
0	R/W	0x0	TMR2_EN. Timer 2 Enable. 0: Stop/Pause, 1: Start. If the timer is started, it will reload the interval value to internal register, and the current counter will count from interval value to 0. If the current counter does not reach the zero, the timer enable bit is set to "0", the current value counter will pause. At least wait for 2 Tcycles, the start bit can be set to 1. In timer pause state, the interval value register can be modified. If the timer is started again, and the Software hope the current value register to down-count from the new interval value, the reload bit and the enable bit should be set to 1 at the same time.

Note: the time between the timer disabled and enabled should be larger than $2 * T_{cycles}$ ($T_{cycles} = \text{Timer clock source/pre-scale}$).

10.3.10. Timer 2 Interval Value Register

Offset: 0x34			Register Name: TMR2_INTV_VALUE_REG
Bit	Read/ Write	Default /Hex	Description
31:0	R/W	x	TMR2_INTV_VALUE. Timer 2 Interval Value.

Note: the value setting should consider the system clock and the timer clock source.



10.3.11. Timer 2 Current Value Register

Offset: 0x38			Register Name: TMR2_CUR_VALUE_REG
Bit	Read/Write	Default/Hex	Description
31:0	R/W	0x0	TMR2_CUR_VALUE. Timer 2 Current Value.

Note: Timer current value is a 32-bit down-counter(from interval value to 0). This register can be read correctly if the PCLK is faster than $2 * \text{TimerFreq}$ ($\text{TimerFreq} = \text{TimerClkSource}/\text{pre-scale}$).

10.3.12. Timer 3 Control Register(Default: 0x00000000)

Offset: 0x40			Register Name: TMR3_CTRL_REG
Bit	Read/Write	Default/Hex	Description
31:5	/	/	/
4	R/W	0x0	TMR3_MODE. Timer 3 mode. 0: Continuous mode. When interval value reached, the timer will not disable automatically. 1: Single mode. When interval value reached, the timer will disable automatically.
3:2	R/W	0x0	TMR3_CLK_PRES. Select the pre-scale of timer 3 clock source. Timer3 clock source is the losc. 00: /16 01: /32 10: /64 11: /
1	/	/	/
0	R/W	0x0	TMR3_EN. Timer 3 Enable. 0: Disable, 1: Enable.

Note: the time between the timer disabled and enabled should be larger than $2 * \text{Tcycles}$ ($\text{Tcycles} = \text{Timer clock source}/\text{pre-scale}$).

10.3.13. Timer 3 Interval Value

Offset: 0x44			Register Name: TMR3_INTV_VALUE_REG
Bit	Read/Write	Default/Hex	Description



31:0	R/W	x	TMR3_INTV_VALUE. Timer 3 Interval Value.
------	-----	---	---

10.3.14. Timer 4 Control Register(Default: 0x00000004)

Offset: 0x50			Register Name: TMR4_CTRL_REG
Bit	Read/Write	Default/Hex	Description
31:8	/	/	/
7	R/W	0x0	TMR4_MODE. Timer4 mode. 0: Continuous mode. When interval value reached, the timer will not disable automatically. 1: Single mode. When interval value reached, the timer will disable automatically.
6:4	R/W	0x0	TMR4_CLK_PRES. Select the pre-scale of timer 4 clock source. 000: /1 001: /2 010: /4 011: /8 100: /16 101: /32 110: /64 111: /128
3:2	R/W	0x1	TMR4_CLK_SRC. Timer 4 Clock Source. 00: Low speed OSC, 01: OSC24M. 10: External CLKIN0 11: /
1	R/W	0x0	TMR4_RELOAD. Timer 4 Reload. 0: No effect, 1: Reload timer 0 Interval value.
0	R/W	0x0	TMR4_EN. Timer 4 Enable. 0: Stop/Pause, 1: Start. If the timer is started, it will reload the interval value to internal register, and the current counter will count from interval value to 0. If the current counter does not reach the zero, the timer enable bit is set to "0", the current value counter will pause. At least wait for 2 Tcylces, the start bit can be set to 1.



			In timer pause state, the interval value register can be modified. If the timer is started again, and the Software hope the current value register to down-count from the new interval value, the reload bit and the enable bit should be set to 1 at the same time.
--	--	--	--

Note1: if the clock source is External CLKIN, the interval value register is not used, the current value register is an up counter that counting from 0.

Note2: the time between the timer disabled and enabled should be larger than $2 * T_{cycles}$ ($T_{cycles} = \text{Timer clock source/pre-scale}$).

10.3.15. Timer 4 Interval Value Register

Offset: 0x54			Register Name: TMR4_INTV_VALUE_REG
Bit	Read/Write	Default/Hex	Description
31:0	R/W	x	TMR4_INTV_VALUE. Timer 4 Interval Value.

Note: the value setting should consider the system clock and the timer clock source.

10.3.16. Timer 4 Current Value Register

Offset: 0x58			Register Name: TMR4_CUR_VALUE_REG
Bit	Read/Write	Default/Hex	Description
31:0	R/W	x	TMR4_CUR_VALUE. Timer 4 Current Value.

Note1: Timer current value is a 32-bit down-counter(from interval value to 0). This register can be read correctly if the PCLK is faster than $2 * \text{TimerFreq}$ ($\text{TimerFreq} = \text{TimerClkSource/pre-scale}$).

Note2: before the timer 4 is enabled, the timer 4 current value register need to be written with zero.

10.3.17. Timer 5 Control Register(Default: 0x00000004)

Offset: 0x60			Register Name: TMR5_CTRL_REG
Bit	Read/Write	Default/Hex	Description
31:8	/	/	/
7	R/W	0x0	TMR5_MODE. Timer5 mode. 0: Continuous mode. When interval value reached, the timer will not disable automatically. 1: Single mode. When interval value reached, the timer will disable



			automatically.
6:4	R/W	0x0	TMR5_CLK_PRES. Select the pre-scale of timer 5 clock source. 000: /1 001: /2 010: /4 011: /8 100: /16 101: /32 110: /64 111: /128
3:2	R/W	0x1	TMR5_CLK_SRC. Timer 5 Clock Source. 00: Low speed OSC, 01: OSC24M. 10: External CLKIN1 11: /
1	R/W	0x0	TMR5_RELOAD. Timer 5 Reload. 0: No effect 1: Reload timer 0 Interval value.
0	R/W	0x0	TMR5_EN. Timer 5 Enable. 0: Stop/Pause, 1: Start. If the timer is started, it will reload the interval value to internal register, and the current counter will count from interval value to 0. If the current counter does not reach the zero, the timer enable bit is set to "0", the current value counter will pause. At least wait for 2 Tcycles, the start bit can be set to 1. In timer pause state, the interval value register can be modified. If the timer is started again, and the Software hope the current value register to down-count from the new interval value, the reload bit and the enable bit should be set to 1 at the same time.

Note:1: if the clock source is External CLKIN, the interval value register is not used, the current value register is an up counter that counting from 0.

2: the time between the timer disabled and enabled should be larger than 2*Tcycles(Tcycles= Timer clock source/pre-scale).

10.3.18. Timer 5 Interval Value Register

Offset: 0x64			Register Name: TMR5_INTV_VALUE_REG
Bit	Read/ Write	Default /Hex	Description



31:0	R/W	x	TMR5_INTV_VALUE. Timer 5 Interval Value.
------	-----	---	---

Note: the value setting should consider the system clock and the timer clock source.

10.3.19. Timer 5 Current Value Register

Offset: 0x68			Register Name: TMR5_CUR_VALUE_REG
Bit	Read/Write	Default/Hex	Description
31:0	R/W	x	TMR5_CUR_VALUE. Timer 5 Current Value.

Note: Timer 1 current value is a 32-bit down-counter(from interval value to 0). This register can be read correctly if the PCLK is faster than 2*TimerFreq(TimerFreq = TimerClkSource/pre-scale).

Note2: before the timer 5 is enabled, the timer 5 current value register need to be written with zero.

10.3.20. AVS Counter Control Register(Default: 0x00000000)

Offset: 0x80			Register Name: AVS_CNT_CTL_REG
Bit	Read/Write	Default	Description
31:10	/	/	/
9	R	0x0	AVS_CNT1_PS Audio/Video Sync Counter 1 Pause Control 0: Not pause 1: Pause Counter 1
8	R/W	0x0	AVS_CNT0_PS Audio/Video Sync Counter 0 Pause Control 0: Not pause 1: Pause Counter 0
7:2	/	/	/
1	R/W	0x0	AVS_CNT1_EN Audio/Video Sync Counter 1 Enable/ Disable. The counter source is OSC24M. 0: Disable 1: Enable
0	R/W	0x0	AVS_CNT0_EN Audio/Video Sync Counter 1 Enable/ Disable. The counter source is OSC24M. 0: Disable 1: Enable

**10.3.21. AVS Counter 0 Register(Default: 0x00000000)**

Offset: 0x84			Register Name: AVS_CNT0_REG
Bit	Read /Write	Default	Description
31:0	R/W	0x0	<p>AVS_CNT0 Counter 0 for Audio/ Video Sync Application</p> <p>The high 32 bits of the internal 33-bits counter register. The initial value of the internal 33-bits counter register can be set by software. The LSB bit of the 33-bits counter register should be zero when the initial value is updated. It will count from the initial value. The initial value can be updated at any time. It can also be paused by setting AVS_CNT0_PS to '1'. When it is paused, the counter won't increase.</p>

10.3.22. AVS Counter 1 Register(Default: 0x00000000)

Offset: 0x88			Register Name: AVS_CNT1_REG
Bit	Read /Write	Default	Description
31:0	R/W	0x0	<p>AVS_CNT1 Counter 1 for Audio/ Video Sync Application</p> <p>The high 32 bits of the internal 33-bits counter register. The initial value of the internal 33-bits counter register can be set by software. The LSB bit of the 33-bits counter register should be zero when the initial value is updated. It will count from the initial value. The initial value can be updated at any time. It can also be paused by setting AVS_CNT1_PS to '1'. When it is paused, the counter won't increase.</p>

10.3.23. AVS Counter Divisor Register(Default: 0x05DB05DB)

Offset: 0x8C			Register Name: AVS_CNT_DIV_REG
Bit	Read /Write	Default	Description
31:28	/	/	/
27:16	R/W	0x5DB	<p>AVS_CNT1_D Divisor N for AVS Counter1 AVS CN1 CLK=24MHz/Divisor_N1. Divisor N1 = Bit[27:16] + 1. The number N is from 1 to 0x7ff. The zero value is reserved.</p>



			<p>The internal 33-bits counter engine will maintain another 12-bits counter. The 12-bits counter is used for counting the cycle number of one 24Mhz clock. When the 12-bits counter reaches ($\geq N$) the divisor value, the internal 33-bits counter register will increase 1 and the 12-bits counter will reset to zero and restart again.</p> <p>Notes: It can be configured by software at any time.</p>
15:12	/	/	/
11:0	R/W	0x5DB	<p>AVS_CNT0_D Divisor N for AVS Counter0 $AVS\ CN0\ CLK = 24MHz / Divisor_N0$. $Divisor\ N0 = Bit[11:0] + 1$ The number N is from 1 to 0x7ff. The zero value is reserved. The internal 33-bits counter engine will maintain another 12-bits counter. The 12-bits counter is used for counting the cycle number of one 24Mhz clock. When the 12-bits counter reaches ($\geq N$) the divisor value, the internal 33-bits counter register will increase 1 and the 12-bits counter will reset to zero and restart again.</p> <p>Notes: It can be configured by software at any time.</p>

10.3.24. Watch Dog Control Register

Offset: 0x90			Register Name: WDOG_CTRL_REG
Bit	Read/Write	Default/Hex	Description
31:13	/	/	/
12:1	R/W	0x333	Reserved.
0	R/W	x	WDOG_RSTART. Watch-Dog Restart. 0: No effect, 1: Restart the Watch-Dog.

10.3.25. Watch-Dog Mode Register(Default: 0x00000000)

Offset: 0x94			Register Name: WDOG_MODE_REG
Bit	Read/Write	Default/Hex	Description
31:7	/	/	/
6:3	R/W	0x0	WDOG_INTV_VALUE. Watch-Dog Interval Value Watchdog clock source is OSC24M. if the OSC24M is turned off, the watchdog will not work. 0000: 0.5sec 0001: 1sec



			0010: 2sec 0011: 3sec 0100: 4sec 0101: 5sec 0110: 6sec 0111: 8sec 1000: 10sec 1001: 12sec 1010: 14sec 1011: 16sec 1100: / 1101: / 1110: / 1111: /
2	/	/	/
1	R/W	0x0	WDOG_RST_EN. Watch-Dog Reset Enable. 0: No effect on the resets, 1: Enables the Watch-Dog to activate the system reset.
0	R/W	0x0	WDOG_EN. Watch-Dog Enable. 0: No effect, 1: Enable the Watch-Dog.

10.3.26. 64-bit Counter Low Register(Default: 0x00000000)

Offset: 0xA4			Register Name: CNT64_LO_REG
Bit	Read/ Write	Default /Hex	Description
31:0	R/W	0x0	CNT64_LO. 64-bit Counter[31:0].

10.3.27. 64-bit Counter High Register(Default: 0x00000000)

Offset: 0xA8			Register Name: CNT64_HI_REG
Bit	Read/ Write	Default /Hex	Description
31:0	R/W	0x0	CNT64_HI. 64-bit Counter[63:32].

**10.3.28. 64-bit Counter Control Register(Default: 0x00000000)**

Offset: 0xA0			Register Name: CNT64_CTRL_REG
Bit	Read/Write	Default/Hex	Description
31:3	/	/	/
2	R/W	0x0	CNT64_CLK_SRC_SEL. 64-bit Counter Clock Source Select. 0: OSC24M 1: PLL6/6
1	R/W	0x0	CNT64_RL_EN. 64-bit Counter Read Latch Enable. 0: no effect, 1: to latch the 64-bit Counter to the Low/Hi registers and it will change to zero after the registers are latched.
0	R/W	0x0	CNT64_CLR_EN. 64-bit Counter Clear Enable. 0: no effect, 1: to clear the 64-bit Counter Low/Hi registers and it will change to zero after the registers are cleared.

10.3.29. LOSC Control(Default: 0x00004000)

Offset: 0x100			Register Name: LOSC_CTRL_REG
Bit	Read/Write	Default/Hex	Description
31:16	W	0x0	Reserved.
15	R/W	0x0	CLK32K_AUTO_SWT_PEND. CLK32K auto switch pending. 0: no effect, 1: auto switch pending.
14	R/W	0x1	CLK32K_AUTO_SWT_EN. CLK32K auto switch enable. 0: Disable, 1: Enable.
13:10	/	/	/
9	R/W	0x0	ALM_DDHHMMSS_ACCE. ALARM DD-HH-MM-SS access. After writing the ALARM DD-HH-MM-SS register, this bit is set and it will be cleared until the real writing operation is finished.
8	R/W	0x0	RTC_HHMMSS_ACCE. RTC HH-MM-SS access. After writing the RTC HH-MM-SS register, this bit is set and it will be cleared until the real writing operation is finished. After writing the RTC YY-MM-DD register, the YY-MM-DD register



			will be refreshed for at most one second.
7	R/W	0x0	RTC_YYMMDD_ACCE. RTC YY-MM-DD access. After writing the RTC YY-MM-DD register, this bit is set and it will be cleared until the real writing operation is finished. After writing the RTC YY-MM-DD register, the YY-MM-DD register will be refreshed for at most one second.
6:4	/	/	/
3:2	R/W	0x0	EXT_LOSC_GSM. External 32768Hz Crystal GSM. 00 low 01 10 11 high
1	/	/	/
0	R/W	0x0	OSC32K_SRC_SEL. OSC32KHz Clock source Select. 0: Internal 32khz, 1: External 32.768KHz OSC.

Note: Any bit of [9:7] is set, the RTC HH-MM-SS, YY-MM-DD and ALARM DD-HH-MM-SS register can't be written.

10.3.30. RTC YY-MM-DD(Default: 0x00000000)

Offset: 0x104			Register Name: RTC_YY_MM_DD_REG
Bit	Read/Write	Default/Hex	Description
31	R/W	0x0	RTC_TEST_MODE_CTRL. RTC TEST Mode Control bit.
30	R/W	0x0	RTC_SIM_CTRL. RTC Simulation Control bit.
29:23	/	/	/
22	R/W	0x0	LEAP. Leap Year. 0: not, 1: Leap year. This bit can not set by hardware. It should be set or clear by software.
21:16	R/W	x	YEAR. Year. Range from 0~63.
15:12	/	/	/
11:8	R/W	x	MONTH. Month. Range from 1~12.



7:5	/	/	/
4:0	R/W	x	DAY. Day. Range from 1~31.

10.3.31. RTC HH-MM-SS

Offset: 0x108			Register Name: RTC_HH_MM_SS_REG
Bit	Read/Write	Default/Hex	Description
31:29	R/W	0x0	WK_NO. Week number. 000: Monday 001: Tuesday 010: Wednesday 011: Thursday 100: Friday 101: Saturday 110: Sunday 111: /
28:21	/	/	/
20:16	R/W	x	HOUR. Range from 0~23
15:14	/	/	/
13:8	R/W	x	MINUTE. Range from 0~59
7:6	/	/	/
5:0	R/W	x	SECOND. Range from 0~59

10.3.32. Alarm Counter DD-HH-MM-SS

Offset: 0x10C			Register Name: DD_HH_MM_SS_REG
Bit	Read/Write	Default/Hex	Description
31:24	R/W	x	DAY. Range from 0~255.
23:22	/	/	/
20:16	R/W	x	HOUR. Range from 0~23.
15:14	/	/	/



13:8	R/W	x	MINUTE. Range from 0~59.
7:6	/	/	/
5:0	R/W	x	SECOND. Range from 0~59.

Note: If the second is set to 0, it will be 1 second in fact.

10.3.33. Alarm Week HH-MM-SS

Offset: 0x110			Register Name: ALARM_WK_HH_MM-SS
Bit	Read/ Write	Default /Hex	Description
31:21	/	/	/
20:16	R/W	x	HOUR. Range from 0~23.
15:14	/	/	/
13:8	R/W	x	MINUTE. Range from 0~59.
7:6	/	/	/
5:0	R/W	x	SECOND. Range from 0~59.

10.3.34. Alarm Enable

Offset: 0x114			Register Name: ALARM_EN_REG
Bit	Read/ Write	Default /Hex	Description
31:9	/	/	/
8	R/W	0x0	ALM_CNT_EN. Alarm Counter Enable. If this bit is set to "1", the Alarm Counter DD-HH-MM-SS register's valid bits will down count to zero, and the the alarm pending bit will be set to "1". 0:disable, 1:enable.
7	/	/	/
6	R/W	0x0	WK6_ALM_EN. Week 6(Sunday) Alarm Enable. 0: Disable, 1: Enable. If this bit is set to "1", only when the Alarm Week HH-MM-SS register valid bits is equal to RTC HH-MM-SS register and the register RTC HH-MM-SS bit[31:29] is 6, the week 6 alarm irq pending bit will be



			set to "1".
5	R/W	0x0	<p>WK5_ALM_EN. Week 5(Saturday) Alarm Enable. 0: Disable, 1: Enable.</p> <p>If this bit is set to "1", only when the Alarm Week HH-MM-SS register valid bits is equal to RTC HH-MM-SS register and the register RTC HH-MM-SS bit[31:29] is 5, the week 5 alarm irq pending bit will be set to "1".</p>
4	R/W	0x0	<p>WK4_ALM_EN. Week 4(Friday) Alarm Enable. 0: Disable, 1: Enable.</p> <p>If this bit is set to "1", only when the Alarm Week HH-MM-SS register valid bits is equal to RTC HH-MM-SS register and the register RTC HH-MM-SS bit[31:29] is 4, the week 4 alarm irq pending bit will be set to "1".</p>
3	R/W	0x0	<p>WK3_ALM_EN. Week 3(Thursday) Alarm Enable. 0: Disable, 1: Enable.</p> <p>If this bit is set to "1", only when the Alarm Week HH-MM-SS register valid bits is equal to RTC HH-MM-SS register and the register RTC HH-MM-SS bit[31:29] is 3, the week 3 alarm irq pending bit will be set to "1".</p>
2	R/W	0x0	<p>WK2_ALM_EN. Week 2(Wednesday) Alarm Enable. 0: Disable, 1: Enable.</p> <p>If this bit is set to "1", only when the Alarm Week HH-MM-SS register valid bits is equal to RTC HH-MM-SS register and the register RTC HH-MM-SS bit[31:29] is 2, the week 2 alarm irq pending bit will be set to "1".</p>
1	R/W	0x0	<p>WK1_ALM_EN. Week 1(Tuesday) Alarm Enable. 0: Disable, 1: Enable.</p> <p>If this bit is set to "1", only when the Alarm Week HH-MM-SS register valid bits is equal to RTC HH-MM-SS register and the register RTC HH-MM-SS bit[31:29] is 1, the week 1 alarm irq pending bit will be set to "1".</p>
0	R/W	0x0	<p>WK0_ALM_EN. Week 0(Monday) Alarm Enable. 0: Disable, 1: Enable.</p> <p>If this bit is set to "1", only when the Alarm Week HH-MM-SS register valid bits is equal to RTC HH-MM-SS register and the register RTC HH-MM-SS bit[31:29] is 0, the week 0 alarm irq pending bit will be set to "1".</p>

**10.3.35. Alarm IRQ Enable**

Offset: 0x118			Register Name: ALARM_IRQ_EN
Bit	Read/Write	Default/Hex	Description
31:2	/	/	/
1	R/W	0x0	ALARM_WK_IRQ_EN. Alarm Week IRQ Enable. 0:disable, 1:enable.
0	R/W	0x0	ALARM_CNT_IRQ_EN. Alarm Counter IRQ Enable. 0:disable, 1:enable.

10.3.36. Alarm IRQ Status Register

Offset: 0x11C			Register Name: ALARM_IRQ_STA_REG
Bit	Read/Write	Default/Hex	Description
31:2	/	/	/
1	R/W	0x0	WEEK_IRQ_PEND. Alarm Week (0/1/2/3/4/5/6) IRQ Pending. 0: No effect, 1: Pending, week counter value is reached. If alarm week irq enable is set to 1, the pending bit will be sent to the interrupt controller.
0	R/W	0x0	CNT_IRQ_PEND. Alarm Counter IRQ Pending bit. 0: No effect, 1: Pending, alarm counter value is reached. If alarm counter irq enable is set to 1, the pending bit will be sent to the interrupt controller.

10.3.37. Timer General Purpose Register 0

Offset: 0x120			Register Name: TMR_GP_DATA_REG0
Bit	Read/Write	Default/Hex	Description
31:0	R/W	x	TMR_GP_DATA0. Data[31:0].

Note: timer general purpose register 0/1/2/3 value can be stored if the RTCVDD is larger than 1.0v.

**10.3.38. Timer General Purpose Register 1**

Offset: 0x124			Register Name: TMR_GP_DATA_REG1
Bit	Read/ Write	Default /Hex	Description
31:0	R/W	x	TMR_GP_DATA1 Data[31:0].

10.3.39. Timer General Purpose Register 2

Offset: 0x128			Register Name: TMR_GP_DATA_REG2
Bit	Read/ Write	Default /Hex	Description
31:0	R/W	x	TMR_GP_DATA2. Data[31:0].

10.3.40. Timer General Purpose Register 3

Offset: 0x12C			Register Name: TMR_GP_DATA_REG3
Bit	Read/ Write	Default /Hex	Description
31:0	R/W	x	TMR_GP_DATA3. Data[31:0].

10.3.41. CPU Config Register(Default: 0x000000C0)

Offset: 0x13C			Register Name: CPU_CFG_REG
Bit	Read/ Write	Default /Hex	Description
31:8	/	/	/
7:6	R	0x3	Reserve to 2'b11.
5:2	/	/	/
1	R/W	0x0	L1_DATA_CACHE_INVA_EN. Enable L1 data cache invalidation at reset. For L1 data cache, the cycles are up to 512 cpu clock cycles 0: enable 1: disable
0	R/W	0x0	L2_DATA_CACHE_INVA_EN. Enable L2 data cache invalidation at reset. For L1 data cache, the cycles are up to 1024 cpu clock cycles



			0: enable 1: disable
--	--	--	-------------------------

Note: the bit[1:0] can be set to 0 by software.

FOR WTTTS ONLY



11. Interrupt Controller

11.1. Overview

The Interrupt Controller in A10 can handle individually maskable interrupt sources up to 95. With the 4-level programmable interrupt priority, developer can define the priority for each interrupt source, permitting higher priority interrupts to be serviced even if a lower priority interrupt is being treated.

The Interrupt Controller is featured as following:

- Support 95 vectored nIRQ interrupt
- 4 programmable interrupt priority levels
- Fixed interrupt priority of the same level
- Support Hardware interrupt priority level masking
- Programmable interrupt priority level masking
- Generates IRQ and FIQ
- Generates Software interrupt
- One external NMI interrupt source

11.2. Interrupt Source

The interrupt source 0 is always located at FIQ. The interrupt sources 1 to 63 are located at System Interrupt and user peripheral.

Interrupt Source	SRC	Vector	FIQ	Description
External NMI	0	0x0000	YES	External Non-Mask Interrupt. Power module battery/VDD/VDDIO/VDD18/VDD25 brownout detect
UART 0	1	0x0004		UART 0 interrupt
UART 1	2	0x0008		UART 1 interrupt
UART 2	3	0x000C		UART 2 interrupt
UART 3	4	0x0010		UART 3 interrupt
IR 0	5	0x0014		IR 0 interrupt
IR 1	6	0x0018		IR 1 interrupt
TWI 0	7	0x001C		TWI 0 interrupt
TWI 1	8	0x0020		TWI 1 interrupt
TWI 2	9	0x0024		TWI 2 interrupt



Interrupt Source	SRC	Vector	FIQ	Description
SPI 0	10	0x0028		SPI 0 interrupt
SPI 1	11	0x002C		SPI 1 interrupt
SPI 2	12	0x0030		SPI 2 interrupt
NC	13	0x0034		NC
AC97	14	0x0038		AC97 interrupt
TS	15	0x003C		TS interrupt
IIS	16	0x0040		Digital Audio Controller interrupt
UART 4	17	0x0044		UART 4 interrupt
UART 5	18	0x0048		UART 5 interrupt
UART 6	19	0x004C		UART 6 interrupt
UART 7	20	0x0050		UART 7 interrupt
Keypad	21	0x0054		Keypad interrupt.
Timer 0	22	0x0058		Timer port 0
Timer 1	23	0x005C		Timer port 1
Timer 2/Alarm/WD	24	0x0060		Timer 2 , Alarm, Watchdog
Timer 3	25	0x0064		Timer 3 interrupt.
CAN	26	0x0068		CAN Bus controller interrupt.
DMA	27	0x006C		DMA channel interrupt
PIO	28	0x0070		PIO interrupt
Touch Panel.	29	0x0074		Touch Panel interrupt.
Audio Codec	30	0x0078		Analog Aduio Codec interrupt
LRADC	31	0x007C		LRADC interrupt
SD/MMC 0	32	0x0080		SD/MMC Host Controller 0 interrupt
SD/MMC 1	33	0x0084		SD/MMC Host Controller 1 interrupt
SD/MMC 2	34	0x0088		SD/MMC Host Controller 2 interrupt
SD/MMC 3	35	0x008C		SD/MMC Host Controller 3 interrupt
/	36	/		/
NAND	37	0x0094		NAND Flash Controller (NFC) interrupt
USB 0	38	0x0098		USB 0 wakeup, connect, disconnect interrupt
USB 1	39	0x009C		USB 1 wakeup, connect, disconnect interrupt
USB 2	40	0x00A0		USB 2 wakeup, connect, disconnect interrupt
SCR	41	0x00A4		SCR interrupt.
CSI 0	42	0x00A8		CSI 0 interrupt
CSI 1	43	0x00AC		CSI 1 interrupt
LCD Controller 0	44	0x00B0		LCD Controller 0 interrupt
LCD Controller 1	45	0x00B4		LCD Controller 1 interrupt
MP	46	0x00B8		MP interrupt.
DE-FE0/DE-BE0	47	0x00BC		DE-FE0/DE-BE0 interrupt
DE-FE1/DE-BE1	48	0x00C0		DE-FE1/DE-BE1 interrupt



Interrupt Source	SRC	Vector	FIQ	Description
PMU	49	0x00C4		PMU interrupt
SPI3	50	0x00C8		SPI3 interrupt
TZASC	51	0x00CC		TZASC interrupt
PATA	52	0x00D0		PATA interrupt
VE	53	0x00D4		VE interrupt
SS	54	0x00D8		Security System interrupt.
EMAC	55	0x00DC		EMAC interrupt
/	56	/		/
Reserved	57	/		/
HDMI	58	0x00E8		HDMI interrupt
TVE 0/1	59	0x00EC		TV encoder 0/1 interrupt
ACE	60	0x00F0		ACE interrupt
TVD	61	0x00F4		TV decoder interrupt
PS2-0	62	0x00F8		PS2-0 interrupt
PS2-1	63	0x00FC		PS2-1 interrupt
USB 3	64	0x100		USB 3 wakeup, connect, disconnect interrupt
USB 4	65	0x104		USB 4 wakeup, connect, disconnect interrupt
PLE/PERFMU	66	0x108		PLE on non-secure transfers interrupt PLE on secure transfer interrupt PLE error interrupt Performance monitor interrupt
Timer 4	67	0x010C		Timer 4 interrupt.
Timer 5	68	0x0110		Timer 5 interrupt.
GPU-GP	69	0x0114		
GPU-GPMMU	70	0x0118		
GPU-PP0	71	0x011C		
GPU-PPMMU0	72	0x0120		
GPU-PMU	73	0x0124		
GPU-RSV0	74	0x0128		
GPU-RSV1	75	0x012C		
GPU-RSV2	76	0x0130		
GPU-RSV3	77	0x0134		
GPU-RSV4	78	0x0138		
GPU-RSV5	79	0x013C		
GPU-RSV6	80	0x0140		

11.3. Interrupt Register List

Module Name	Base Address
INTC	0x01C20400



Register Name	Offset	Description
INTC_VECTOR_REG	0x0000	Interrupt Vector
INTC_BASE_ADDR_REG	0x0004	Interrupt Base Address
NMI_INT_CTRL_REG	0x000C	Interrupt Control
INTC_IRQ_PEND_REG0	0x0010	Interrupt IRQ Pending 0 Status
INTC_IRQ_PEND_REG1	0x0014	Interrupt IRQ Pending 1 Status
INTC_IRQ_PEND_REG02	0x0018	Interrupt IRQ Pending 2 Status
INTC_FIQ_PEND_REG0	0x0020	Interrupt FIQ Pending 0 Status
INTC_FIQ_PEND_REG1	0x0024	Interrupt FIQ Pending 1 Status
INTC_FIQ_PEND_REG2	0x0028	Interrupt FIQ Pending 2 Status
INTC_IRQ_TYPE_SEL0	0x0030	Interrupt Select 0
INTC_IRQ_TYPE_SEL1	0x0034	Interrupt Select 1
INTC_IRQ_TYPE_SEL2	0x0038	Interrupt Select 2
INTC_EN_REG0	0x0040	Interrupt Enable 0
INTC_EN_REG1	0x0044	Interrupt Enable 1
INTC_EN_REG2	0x0048	Interrupt Enable 2
INTC_MASK_REG0	0x0050	Interrupt Mask 0
INTC_MASK_REG1	0x0054	Interrupt Mask 1
INTC_MASK_REG2	0x0058	Interrupt Mask 2
INTC_RESP_REG0	0x0060	Interrupt Response 0
INTC_RESP_REG1	0x0064	Interrupt Response 1
INTC_RESP_REG2	0x0068	Interrupt Response 2
INTC_FF_REG0	0x0070	Interrupt Fast Forcing 0
INTC_FF_REG1	0x0074	Interrupt Fast Forcing 1
INTC_FF_REG2	0x0078	Interrupt Fast Forcing 2
INTC_PRIO_REG0	0x0080	Interrupt Source Priority 0
INTC_PRIO_REG1	0x0084	Interrupt Source Priority 1
INTC_PRIO_REG2	0x0088	Interrupt Source Priority 2
INTC_PRIO_REG3	0x008C	Interrupt Source Priority 3
INTC_PRIO_REG4	0x0090	Interrupt Source Priority 4

11.4. Interrupt Programmable Register

11.4.1. Interrupt Vector Register(Default: 0x00000000)

Offset:0x00			Register Name: INTC_VECTOR_REG
Bit	Read/ Write	Default /Hex	Description
31:2	R	0x0	VECTOR_ADDR. This register present the vector address for the interrupt currently



			active on the CPU IRQ input.
1:0	R	0x0	Always return zero to this field.

11.4.2. Interrupt Base Address Register(Default: 0x00000000)

Offset:0x04			Register Name: INTC_BASE_ADDR_REG
Bit	Read/Write	Default/Hex	Description
31:2	R/W	0x0	BASE_ADDR. This bit-field holds the upper 30 bits of the base address of the vector table.
1:0	R	0x0	Always write zero to this bit-field.

11.4.3. Interrupt Protection Register(Default: 0x00000000)

Offset:0x08			Register Name: INTC_PROT_EN.
Bit	Read/Write	Default/Hex	Description
31:1	/	/	/
0	R/W	0x0	INTC_PROT_EN. Enables or disables protected register access: 0: disable protection mode 1: enable protection mode If enabled, only privileged mode accesss can access the interrupt controller registers. If disabled, both user mode and privileged mode can access the registers. This register can only be accessed in privileged mode.

11.4.4. NMI Interrupt Control Register(Default: 0x00000000)

Offset:0x0C			Register Name: NMI_INT_CTRL_REG
Bit	Read/Write	Default/Hex	Description
31:2	/	/	/
1:0	R/W	0x0	NMI_SRC_TYPE. External NMI Interrupt Source Type. External NMI pin will be changed to alarm output if the power of I/O is switched off, and it's power source is RTCVDD. 00: Low level sensitive 01: Negative edge trigged



			10: High level sensitive 11: Positive edge sensitive
--	--	--	---

11.4.5. Interrupt IRQ Pending Register 0 (Default: 0x00000000)

Offset:0x10			Register Name: INTC_IRQ_PEND_REG0
Bit	Read/ Write	Default /Hex	Description
31:0	R	0x0	INT_IRQ_SRC_PEND0. Interrupt Source[31:0] Pending/Clear Bit. 0: Corresponding interrupt is not pending. 1: Corresponding interrupt is pending

11.4.6. Interrupt IRQ Pending Register 1 (Default: 0x00000000)

Offset:0x14			Register Name: INTC_IRQ_PEND_REG1
Bit	Read/ Write	Default /Hex	Description
31:0	R	0x0	INT_IRQ_SRC_PEND1. Interrupt Source[63:32] Pending/Clear Bit. 0: Corresponding interrupt is not pending. 1: Corresponding interrupt is pending

11.4.7. Interrupt IRQ Pending Register 2 (Default: 0x00000000)

Offset:0x18			Register Name: INTC_IRQ_PEND_REG2
Bit	Read/ Write	Default /Hex	Description
31:0	R	0x0	INT_IRQ_SRC_PEND2. Interrupt Source[95:64] Pending/Clear Bit. 0: Corresponding interrupt is not pending. 1: Corresponding interrupt is pending

11.4.8. Interrupt FIQ Pending/Clear Register 0 (Default: 0x00000000)

Offset:0x20			Register Name: INTC_FIQ_PEND_REG0
Bit	Read/ Write	Default /Hex	Description



31:0	R	0x0	INT_FIQ_SRC_PEND0. Interrupt FIQ Source[31:0] Pending/Clear Bit. 0: Corresponding interrupt is not pending. 1: Corresponding interrupt is pending
------	---	-----	--

11.4.9. Interrupt FIQ Pending/Clear Register 1(Default: 0x00000000)

Offset:0x24			Register Name: INTC_FIQ_PEND_REG1
Bit	Read/Write	Default/Hex	Description
31:0	R	0x0	INT_FIQ_SRC_PEND1. Interrupt FIQ Source[63:32] Pending/Clear Bit. 0: Corresponding interrupt is not pending. 1: Corresponding interrupt is pending

11.4.10. Interrupt FIQ Pending/Clear Register 2(Default: 0x00000000)

Offset:0x28			Register Name: INTC_FIQ_PEND_REG2
Bit	Read/Write	Default/Hex	Description
31:0	R	0x0	INT_FIQ_SRC_PEND2. Interrupt FIQ Source[95:64] Pending/Clear Bit. 0: Corresponding interrupt is not pending. 1: Corresponding interrupt is pending

11.4.11. Interrupt Select Register 0(Default: 0x00000000)

Offset:0x30			Register Name: INTC_IRQ_TYPE_SEL0
Bit	Read/Write	Default/Hex	Description
31:0	R/W	0x0	INT_IRQ_TYPE_SEL0. Interrupt Source[31:0] irq type select. 0: IRQ. 1: FIQ

**11.4.12. Interrupt Select Register 1(Default: 0x00000000)**

Offset:0x34			Register Name: INTC_IRQ_TYPE_SEL1
Bit	Read/ Write	Default /Hex	Description
31:0	R/W	0x0	INT_IRQ_TYPE_SEL1. Interrupt Source[63:32] irq type select. 0: IRQ. 1: FIQ

11.4.13. Interrupt Select Register 2(Default: 0x00000000)

Offset:0x38			Register Name: INTC_IRQ_TYPE_SEL2
Bit	Read/ Write	Default /Hex	Description
31:0	R/W	0x0	INT_IRQ_TYPE_SEL2. Interrupt Source[95:64] irq type select. 0: IRQ. 1: FIQ

11.4.14. Interrupt Enable Register 0(Default: 0x00000000)

Offset:0x40			Register Name: INTC_EN_REG0
Bit	Read/ Write	Default /Hex	Description
31:0	R/W	0x0	INT_EN0. Interrupt Source[31:0] Enable Bits. 0: Corresponding interrupt is disabled. 1: Corresponding interrupt is enabled.

11.4.15. Interrupt Enable Register 1(Default: 0x00000000)

Offset:0x44			Register Name: INTC_EN_REG1
Bit	Read/ Write	Default /Hex	Description
31:0	R/W	0x0	Interrupt Source[63:32] Enable Bits. 0: Corresponding interrupt is disabled. 1: Corresponding interrupt is enabled.

**11.4.16. Interrupt Enable Register 2(Default: 0x00000000)**

Offset:0x48			Register Name: INTC_EN_REG2
Bit	Read/ Write	Default /Hex	Description
31:0	R/W	0x0	Interrupt Source[95:64] Enable Bits. 0: Corresponding interrupt is disabled. 1: Corresponding interrupt is enabled.

11.4.17. Interrupt Mask Register 0(Default: 0x00000000)

Offset:0x50			Register Name: INTC_MASK_REG0
Bit	Read/ Write	Default /Hex	Description
31:0	R/W	0x0	Interrupt Source[31:0] Mask Bits. 0: No effect. 1: interrupt is masked. If interrupt is enabled and the interrupt occurred, the interrupt pending bit will be set whether the corresponding interrupt mask bit is set.

11.4.18. Interrupt Mask Register 1(Default: 0x00000000)

Offset:0x54			Register Name: INTC_MASK_REG1
Bit	Read/ Write	Default /Hex	Description
31:0	R/W	0x0	Interrupt Source[63:32] Mask Bits. 0: No effect. 1: interrupt is masked. If interrupt is enabled and the interrupt occurred, the interrupt pending bit will be set whether the corresponding interrupt mask bit is set.

11.4.19. Interrupt Mask Register 2(Default: 0x00000000)

Offset:0x58			Register Name: INTC_MASK_REG2
Bit	Read/ Write	Default /Hex	Description
31:0	R/W	0x0	Interrupt Source[95:64] Mask Bits. 0: No effect. 1: interrupt is masked. If interrupt is enabled and the interrupt occurred, the interrupt pending



		bit will be set whether the corresponding interrupt mask bit is set.
--	--	--

11.4.20. Interrupt Response Register 0(Default: 0x00000000)

Offset:0x60			Register Name: INTC_RESP_REG0
Bit	Read/Write	Default/Hex	Description
31:0	R/W	0x0	Interrupt response bit. If the corresponding bit is set, the interrupt with the lower or the same priority level is masked.

11.4.21. Interrupt Response Register 1(Default: 0x00000000)

Offset:0x64			Register Name: INTC_RESP_REG1
Bit	Read/Write	Default/Hex	Description
31:0	R/W	0x0	Interrupt response bit. If the corresponding bit is set, the interrupt with the lower or the same priority level is masked.

11.4.22. Interrupt Response Register 2(Default: 0x00000000)

Offset:0x68			Register Name: INTC_RESP_REG2
Bit	Read/Write	Default/Hex	Description
31:0	R/W	0x0	Interrupt response bit. If the corresponding bit is set, the interrupt with the lower or the same priority level is masked.

11.4.23. Interrupt Fast Forcing Register 0(Default: 0x00000000)

Offset:0x70			Register Name: INTC_FF_REG0
Bit	Read/Write	Default/Hex	Description
31:0	W	0x0	Enables the fast forcing feature on the corresponding interrupt source[31:0]. 0: No effect.



			1: Forcing the corresponding interrupt. Setting this bit can be valid only when the corresponding interrupt enable bit is set.
--	--	--	---

11.4.24. Interrupt Fast Forcing Register 1(Default: 0x00000000)

Offset:0x74			Register Name: INTC_FF_REG1
Bit	Read/Write	Default/Hex	Description
31:0	W	0x0	Enables the fast forcing feature on the corresponding interrupt source[63:32]. 0: No effect. 1: Forcing the corresponding interrupt. Setting this bit can be valid only when the corresponding interrupt enable bit is set.

11.4.25. Interrupt Fast Forcing Register 2(Default: 0x00000000)

Offset:0x78			Register Name: INTC_FF_REG2
Bit	Read/Write	Default/Hex	Description
31:0	W	0x0	Enables the fast forcing feature on the corresponding interrupt source[95:64]. 0: No effect. 1: Forcing the corresponding interrupt. Setting this bit can be valid only when the corresponding interrupt enable bit is set.

11.4.26. Interrupt Source Priority 0 Register(Default: 0x00000000)

Offset:0x80			Register Name: INTC_PRIO_REG0
Bit	Read/Write	Default/Hex	Description
31:30	R/W	0x0	IRQ 15 Priority. Set priority level for IRQ bit 15



Offset:0x80			Register Name: INTC_PRI0_REG0
			Level0 = 0x0 level 0, lowest priority Level1 = 0x1 level 1 Level2 = 0x2 level 2 Level3 = 0x3 level 3, highest priority
29:28	R/W	0x0	IRQ 14 Priority. Set priority level for IRQ bit 14 Level0 = 0x0 level 0, lowest priority Level1 = 0x1 level 1 Level2 = 0x2 level 2 Level3 = 0x3 level 3, highest priority
27:26	R/W	0x0	IRQ 13 Priority. Set priority level for IRQ bit 13 Level0 = 0x0 level 0, lowest priority Level1 = 0x1 level 1 Level2 = 0x2 level 2 Level3 = 0x3 level 3, highest priority
25:24	R/W	0x0	IRQ 12 Priority. Set priority level for IRQ bit 12 Level0 = 0x0 level 0, lowest priority Level1 = 0x1 level 1 Level2 = 0x2 level 2 Level3 = 0x3 level 3, highest priority
23:22	R/W	0x0	IRQ 11 Priority. Set priority level for IRQ bit 11 Level0 = 0x0 level 0, lowest priority Level1 = 0x1 level 1 Level2 = 0x2 level 2 Level3 = 0x3 level 3, highest priority
21:20	R/W	0x0	IRQ 10 Priority. Set priority level for IRQ bit 10 Level0 = 0x0 level 0, lowest priority Level1 = 0x1 level 1 Level2 = 0x2 level 2 Level3 = 0x3 level 3, highest priority
19:18	R/W	0x0	IRQ 9 Priority. Set priority level for IRQ bit 9 Level0 = 0x0 level 0, lowest priority Level1 = 0x1 level 1 Level2 = 0x2 level 2 Level3 = 0x3 level 3, highest priority
17:16	R/W	0x0	IRQ 8 Priority. Set priority level for IRQ bit 8



Offset:0x80			Register Name: INTC_PRIO_REG0
			Level0 = 0x0 level 0, lowest priority Level1 = 0x1 level 1 Level2 = 0x2 level 2 Level3 = 0x3 level 3, highest priority
15:14	R/W	0x0	IRQ 7 Priority. Set priority level for IRQ bit 7 Level0 = 0x0 level 0, lowest priority Level1 = 0x1 level 1 Level2 = 0x2 level 2 Level3 = 0x3 level 3, highest priority
13:12	R/W	0x0	IRQ 6 Priority. Set priority level for IRQ bit 6 Level0 = 0x0 level 0, lowest priority Level1 = 0x1 level 1 Level2 = 0x2 level 2 Level3 = 0x3 level 3, highest priority
11:10	R/W	0x0	IRQ 5 Priority. Set priority level for IRQ bit 5 Level0 = 0x0 level 0, lowest priority Level1 = 0x1 level 1 Level2 = 0x2 level 2 Level3 = 0x3 level 3, highest priority
9:8	R/W	0x0	IRQ 4 Priority. Set priority level for IRQ 4 Level0 = 0x0 level 0, lowest priority Level1 = 0x1 level 1 Level2 = 0x2 level 2 Level3 = 0x3 level 3, highest priority
7:6	R/W	0x0	IRQ 3 Priority. Set priority level for IRQ bit 3 Level0 = 0x0 level 0, lowest priority Level1 = 0x1 level 1 Level2 = 0x1 level 2 Level3 = 0x1 level 3, highest priority
5:4	R/W	0x0	IRQ 2 Priority. Set priority level for IRQ bit 2 Level0 = 0x0 level 0, lowest priority Level1 = 0x1 level 1 Level2 = 0x1 level 2 Level3 = 0x1 level 3, highest priority
3:2	R/W	0x0	IRQ 1 Priority. Set priority level for IRQ bit 1



Offset:0x80			Register Name: INTC_PRIO_REG0
			Level0 = 0x0 level 0, lowest priority Level1 = 0x1 level 1 Level2 = 0x1 level 2 Level3 = 0x1 level 3, highest priority
1:0	/	/	/

Programs the priority level for all sources except FIQ source(source 0). The priority level can be between 0(lowest) and 7(highest).

11.4.27. Interrupt Source Priority 1 Register (Default: 0x00000000)

Offset:0x84			Register Name: INTC_PRIO_REG1
Bit	Read/Write	Default/Hex	Description
31:30	R/W	0x0	IRQ 31 Priority. Set priority level for IRQ bit 31 Level0 = 0x0 level 0, lowest priority Level1 = 0x1 level 1 Level2 = 0x1 level 2 Level3 = 0x1 level 3, highest priority
29:28	R/W	0x0	IRQ 30 Priority. Set priority level for IRQ bit 30 Level0 = 0x0 level 0, lowest priority Level1 = 0x1 level 1 Level2 = 0x1 level 2 Level3 = 0x1 level 3, highest priority
27:26	R/W	0x0	IRQ 29 Priority. Set priority level for IRQ bit 29 Level0 = 0x0 level 0, lowest priority Level1 = 0x1 level 1 Level2 = 0x1 level 2 Level3 = 0x1 level 3, highest priority
25:24	R/W	0x0	IRQ 28 Priority. Set priority level for IRQ bit 28 Level0 = 0x0 level 0, lowest priority Level1 = 0x1 level 1 Level2 = 0x1 level 2 Level3 = 0x1 level 3, highest priority
23:22	R/W	0x0	IRQ 27 Priority. Set priority level for IRQ bit 27



Offset:0x84			Register Name: INTC_PRI0_REG1
			Level0 = 0x0 level 0, lowest priority Level1 = 0x1 level 1 Level2 = 0x1 level 2 Level3 = 0x1 level 3, highest priority
21:20	R/W	0x0	IRQ 26 Priority. Set priority level for IRQ bit 26 Level0 = 0x0 level 0, lowest priority Level1 = 0x1 level 1 Level2 = 0x1 level 2 Level3 = 0x1 level 3, highest priority
19:18	R/W	0x0	IRQ 25 Priority. Set priority level for IRQ bit 25 Level0 = 0x0 level 0, lowest priority Level1 = 0x1 level 1 Level2 = 0x1 level 2 Level3 = 0x1 level 3, highest priority
17:16	R/W	0x0	IRQ 24 Priority. Set priority level for IRQ bit 24 Level0 = 0x0 level 0, lowest priority Level1 = 0x1 level 1 Level2 = 0x1 level 2 Level3 = 0x1 level 3, highest priority
15:14	R/W	0x0	IRQ 23 Priority. Set priority level for IRQ bit 23 Level0 = 0x0 level 0, lowest priority Level1 = 0x1 level 1 Level2 = 0x1 level 2 Level3 = 0x1 level 3, highest priority
13:12	R/W	0x0	IRQ 22 Priority. Set priority level for IRQ bit 22 Level0 = 0x0 level 0, lowest priority Level1 = 0x1 level 1 Level2 = 0x1 level 2 Level3 = 0x1 level 3, highest priority
11:10	R/W	0x0	IRQ 21 Priority. Set priority level for IRQ bit 21 Level0 = 0x0 level 0, lowest priority Level1 = 0x1 level 1 Level2 = 0x1 level 2 Level3 = 0x1 level 3, highest priority
9:8	R/W	0x0	IRQ 20 Priority. Set priority level for IRQ bit 20



Offset:0x84			Register Name: INTC_PRIO_REG1
			Level0 = 0x0 level 0, lowest priority Level1 = 0x1 level 1 Level2 = 0x1 level 2 Level3 = 0x1 level 3, highest priority
7:6	R/W	0x0	IRQ 19 Priority. Set priority level for IRQ bit 19 Level0 = 0x0 level 0, lowest priority Level1 = 0x1 level 1 Level2 = 0x1 level 2 Level3 = 0x1 level 3, highest priority
5:4	R/W	0x0	IRQ 18 Priority. Set priority level for IRQ bit 18 Level0 = 0x0 level 0, lowest priority Level1 = 0x1 level 1 Level2 = 0x1 level 2 Level3 = 0x1 level 3, highest priority
3:2	R/W	0x0	IRQ17_PRIO. IRQ 17 Priority. Set priority level for IRQ bit 17 Level0 = 0x0 level 0, lowest priority Level1 = 0x1 level 1 Level2 = 0x1 level 2 Level3 = 0x1 level 3, highest priority
1:0	R/W	0x0	IRQ16_PRIO. IRQ 16 Priority. Set priority level for IRQ bit 16 Level0 = 0x0 level 0, lowest priority Level1 = 0x1 level 1 Level2 = 0x1 level 2 Level3 = 0x1 level 3, highest priority

11.4.28. Interrupt Source Priority 2 Register(Default: 0x00000000)

Offset:0x88			Register Name: INTC_PRIO_REG2
Bit	Read/ Write	Default /Hex	Description
31:30	R/W	0x0	IRQ47_PRIO. IRQ 47 Priority. Set priority level for IRQ bit 47



Offset:0x88			Register Name: INTC_PRIO_REG2
			Level0 = 0x0 level 0, lowest priority Level1 = 0x1 level 1 Level2 = 0x1 level 2 Level3 = 0x1 level 3, highest priority
29:28	R/W	0x0	IRQ46_PRIO. IRQ 46 Priority. Set priority level for IRQ bit 46 Level0 = 0x0 level 0, lowest priority Level1 = 0x1 level 1 Level2 = 0x1 level 2 Level3 = 0x1 level 3, highest priority
27:26	R/W	0x0	IRQ45_PRIO. IRQ 45 Priority. Set priority level for IRQ bit 45 Level0 = 0x0 level 0, lowest priority Level1 = 0x1 level 1 Level2 = 0x1 level 2 Level3 = 0x1 level 3, highest priority
25:24	R/W	0x0	IRQ44_RPIO. IRQ 44 Priority. Set priority level for IRQ bit 44 Level0 = 0x0 level 0, lowest priority Level1 = 0x1 level 1 Level2 = 0x1 level 2 Level3 = 0x1 level 3, highest priority
23:22	R/W	0x0	IRQ43_PRIO. IRQ 43 Priority. Set priority level for IRQ bit 43 Level0 = 0x0 level 0, lowest priority Level1 = 0x1 level 1 Level2 = 0x1 level 2 Level3 = 0x1 level 3, highest priority
21:20	R/W	0x0	IRQ42_PRIO. IRQ 42 Priority. Set priority level for IRQ bit 42 Level0 = 0x0 level 0, lowest priority Level1 = 0x1 level 1 Level2 = 0x1 level 2 Level3 = 0x1 level 3, highest priority
19:18	R/W	0x0	IRQ41_PRIO. IRQ 41 Priority. Set priority level for IRQ bit 41



Offset:0x88			Register Name: INTC_PRIO_REG2
			Level0 = 0x0 level 0, lowest priority Level1 = 0x1 level 1 Level2 = 0x1 level 2 Level3 = 0x1 level 3, highest priority
17:16	R/W	0x0	IRQ40_PRIO. IRQ 40 Priority. Set priority level for IRQ bit 40 Level0 = 0x0 level 0, lowest priority Level1 = 0x1 level 1 Level2 = 0x1 level 2 Level3 = 0x1 level 3, highest priority
15:14	R/W	0x0	IRQ39_PRIO. IRQ 39 Priority. Set priority level for IRQ bit 39 Level0 = 0x0 level 0, lowest priority Level1 = 0x1 level 1 Level2 = 0x1 level 2 Level3 = 0x1 level 3, highest priority
13:12	R/W	0x0	IRQ38_PRIO. IRQ 38 Priority. Set priority level for IRQ bit 38 Level0 = 0x0 level 0, lowest priority Level1 = 0x1 level 1 Level2 = 0x1 level 2 Level3 = 0x1 level 3, highest priority
11:10	R/W	0x0	IRQ37_PRIO. IRQ 37 Priority. Set priority level for IRQ bit 37 Level0 = 0x0 level 0, lowest priority Level1 = 0x1 level 1 Level2 = 0x1 level 2 Level3 = 0x1 level 3, highest priority
9:8	R/W	0x0	IRQ36_PRIO. IRQ 36 Priority. Set priority level for IRQ bit 36 Level0 = 0x0 level 0, lowest priority Level1 = 0x1 level 1 Level2 = 0x1 level 2 Level3 = 0x1 level 3, highest priority
7:6	R/W	0x0	IRQ35_PRIO. IRQ 35 Priority. Set priority level for IRQ bit 35



Offset:0x88			Register Name: INTC_PRIO_REG2
			Level0 = 0x0 level 0, lowest priority Level1 = 0x1 level 1 Level2 = 0x1 level 2 Level3 = 0x1 level 3, highest priority
5:4	R/W	0x0	IRQ34_PRIO. IRQ 34 Priority. Set priority level for IRQ bit 34 Level0 = 0x0 level 0, lowest priority Level1 = 0x1 level 1 Level2 = 0x1 level 2 Level3 = 0x1 level 3, highest priority
3:2	R/W	0x0	IRQ33_PRIO. IRQ 33 Priority. Set priority level for IRQ bit 33 Level0 = 0x0 level 0, lowest priority Level1 = 0x1 level 1 Level2 = 0x1 level 2 Level3 = 0x1 level 3, highest priority
1:0	R/W	0x0	IRQ32_PRIO. IRQ 32 Priority. Set priority level for IRQ bit 32 Level0 = 0x0 level 0, lowest priority Level1 = 0x1 level 1 Level2 = 0x1 level 2 Level3 = 0x1 level 3, highest priority

11.4.29. Interrupt Source Priority 3 Register(Default: 0x00000000)

Offset:0x8C			Register Name: INTC_PRIO_REG3
Bit	Read/ Write	Default /Hex	Description
31:30	R/W	0x0	IRQ63_PRIO. IRQ 63 Priority. Set priority level for IRQ bit 63 Level0 = 0x0 level 0, lowest priority Level1 = 0x1 level 1 Level2 = 0x1 level 2 Level3 = 0x1 level 3, highest priority
29:28	R/W	0x0	IRQ62_PRIO.



Offset:0x8C			Register Name: INTC_PRIO_REG3
			IRQ 62 Priority. Set priority level for IRQ bit 62 Level0 = 0x0 level 0, lowest priority Level1 = 0x1 level 1 Level2 = 0x1 level 2 Level3 = 0x1 level 3, highest priority
27:26	R/W	0x0	IRQ61_PRIO. IRQ 61 Priority. Set priority level for IRQ bit 61 Level0 = 0x0 level 0, lowest priority Level1 = 0x1 level 1 Level2 = 0x1 level 2 Level3 = 0x1 level 3, highest priority
25:24	R/W	0x0	IRQ60_PRIO. IRQ 60 Priority. Set priority level for IRQ bit 60 Level0 = 0x0 level 0, lowest priority Level1 = 0x1 level 1 Level2 = 0x1 level 2 Level3 = 0x1 level 3, highest priority
23:22	R/W	0x0	IRQ59_PRIO. IRQ 59 Priority. Set priority level for IRQ bit 59 Level0 = 0x0 level 0, lowest priority Level1 = 0x1 level 1 Level2 = 0x1 level 2 Level3 = 0x1 level 3, highest priority
21:20	R/W	0x0	IRQ58_PRIO IRQ 58 Priority. Set priority level for IRQ bit 58 Level0 = 0x0 level 0, lowest priority Level1 = 0x1 level 1 Level2 = 0x1 level 2 Level3 = 0x1 level 3, highest priority
19:18	R/W	0x0	IRQ57_PRIO. IRQ 57 Priority. Set priority level for IRQ bit 57 Level0 = 0x0 level 0, lowest priority Level1 = 0x1 level 1 Level2 = 0x1 level 2 Level3 = 0x1 level 3, highest priority
17:16	R/W	0x0	IRQ56_PRIO.



Offset:0x8C			Register Name: INTC_PRIO_REG3
			IRQ 56 Priority. Set priority level for IRQ bit 56 Level0 = 0x0 level 0, lowest priority Level1 = 0x1 level 1 Level2 = 0x1 level 2 Level3 = 0x1 level 3, highest priority
15:14	R/W	0x0	IRQ55_PRIO. IRQ 55 Priority. Set priority level for IRQ bit 55 Level0 = 0x0 level 0, lowest priority Level1 = 0x1 level 1 Level2 = 0x1 level 2 Level3 = 0x1 level 3, highest priority
13:12	R/W	0x0	IRQ54_PRIO. IRQ 54 Priority. Set priority level for IRQ bit 54 Level0 = 0x0 level 0, lowest priority Level1 = 0x1 level 1 Level2 = 0x1 level 2 Level3 = 0x1 level 3, highest priority
11:10	R/W	0x0	IRQ53_PRIO. IRQ 53 Priority. Set priority level for IRQ bit 53 Level0 = 0x0 level 0, lowest priority Level1 = 0x1 level 1 Level2 = 0x1 level 2 Level3 = 0x1 level 3, highest priority
9:8	R/W	0x0	IRQ52_PRIO. IRQ 52 Priority. Set priority level for IRQ bit 52 Level0 = 0x0 level 0, lowest priority Level1 = 0x1 level 1 Level2 = 0x1 level 2 Level3 = 0x1 level 3, highest priority
7:6	R/W	0x0	IRQ51_PRIO. IRQ 51 Priority. Set priority level for IRQ bit 51 Level0 = 0x0 level 0, lowest priority Level1 = 0x1 level 1 Level2 = 0x1 level 2 Level3 = 0x1 level 3, highest priority
5:4	R/W	0x0	IRQ50_PRIO.



Offset:0x8C			Register Name: INTC_PRIO_REG3
			IRQ 50 Priority. Set priority level for IRQ bit 50 Level0 = 0x0 level 0, lowest priority Level1 = 0x1 level 1 Level2 = 0x1 level 2 Level3 = 0x1 level 3, highest priority
3:2	R/W	0x0	IRQ49_PRIO. IRQ 49 Priority. Set priority level for IRQ bit 49 Level0 = 0x0 level 0, lowest priority Level1 = 0x1 level 1 Level2 = 0x1 level 2 Level3 = 0x1 level 3, highest priority
1:0	R/W	0x0	IRQ48_PRIO. IRQ 48 Priority. Set priority level for IRQ bit 48 Level0 = 0x0 level 0, lowest priority Level1 = 0x1 level 1 Level2 = 0x1 level 2 Level3 = 0x1 level 3, highest priority

11.4.30. Interrupt Source Priority 4 Register(Default: 0x00000000)

Offset:0x90			Register Name: INTC_PRIO_REG5
Bit	Read/ Write	Default /Hex	Description
31:30	R/W	0x0	IRQ79_PRIO. IRQ 79 Priority. Set priority level for IRQ bit 79 Level0 = 0x0 level 0, lowest priority Level1 = 0x1 level 1 Level2 = 0x1 level 2 Level3 = 0x1 level 3, highest priority
29:28	R/W	0x0	IRQ78_PRIO. IRQ 78 Priority. Set priority level for IRQ bit 78 Level0 = 0x0 level 0, lowest priority Level1 = 0x1 level 1 Level2 = 0x1 level 2



Offset:0x90			Register Name: INTC_PRIO_REG5
			Level3 = 0x1 level 3, highest priority
27:26	R/W	0x0	IRQ77_PRIO. IRQ 77 Priority. Set priority level for IRQ bit 77 Level0 = 0x0 level 0, lowest priority Level1 = 0x1 level 1 Level2 = 0x1 level 2 Level3 = 0x1 level 3, highest priority
25:24	R/W	0x0	IRQ76_PRIO. IRQ 76 Priority. Set priority level for IRQ bit 76 Level0 = 0x0 level 0, lowest priority Level1 = 0x1 level 1 Level2 = 0x1 level 2 Level3 = 0x1 level 3, highest priority
23:22	R/W	0x0	IRQ75_PRIO. IRQ 75 Priority. Set priority level for IRQ bit 75 Level0 = 0x0 level 0, lowest priority Level1 = 0x1 level 1 Level2 = 0x1 level 2 Level3 = 0x1 level 3, highest priority
21:20	R/W	0x0	IRQ74_PRIO. IRQ 74 Priority. Set priority level for IRQ bit 74 Level0 = 0x0 level 0, lowest priority Level1 = 0x1 level 1 Level2 = 0x1 level 2 Level3 = 0x1 level 3, highest priority
19:18	R/W	0x0	IRQ73_PRIO. IRQ 73 Priority. Set priority level for IRQ bit 73 Level0 = 0x0 level 0, lowest priority Level1 = 0x1 level 1 Level2 = 0x1 level 2 Level3 = 0x1 level 3, highest priority
17:16	R/W	0x0	IRQ72_PRIO. IRQ 72 Priority. Set priority level for IRQ bit 72 Level0 = 0x0 level 0, lowest priority Level1 = 0x1 level 1 Level2 = 0x1 level 2



Offset:0x90			Register Name: INTC_PRIO_REG5
			Level3 = 0x1 level 3, highest priority
15:14	R/W	0x0	IRQ71_PRIO. IRQ 71 Priority. Set priority level for IRQ bit 71 Level0 = 0x0 level 0, lowest priority Level1 = 0x1 level 1 Level2 = 0x1 level 2 Level3 = 0x1 level 3, highest priority
13:12	R/W	0x0	IRQ70_PRIO. IRQ 70 Priority. Set priority level for IRQ bit 70 Level0 = 0x0 level 0, lowest priority Level1 = 0x1 level 1 Level2 = 0x1 level 2 Level3 = 0x1 level 3, highest priority
11:10	R/W	0x0	IRQ69_PRIO. IRQ 69 Priority. Set priority level for IRQ bit 69 Level0 = 0x0 level 0, lowest priority Level1 = 0x1 level 1 Level2 = 0x1 level 2 Level3 = 0x1 level 3, highest priority
9:8	R/W	0x0	IRQ68_PRIO. IRQ 68 Priority. Set priority level for IRQ bit 68 Level0 = 0x0 level 0, lowest priority Level1 = 0x1 level 1 Level2 = 0x1 level 2 Level3 = 0x1 level 3, highest priority
7:6	R/W	0x0	IRQ67_PRIO. IRQ 67 Priority. Set priority level for IRQ bit 67 Level0 = 0x0 level 0, lowest priority Level1 = 0x1 level 1 Level2 = 0x1 level 2 Level3 = 0x1 level 3, highest priority
5:4	R/W	0x0	IRQ66_PRIO. IRQ 66 Priority. Set priority level for IRQ bit 66 Level0 = 0x0 level 0, lowest priority Level1 = 0x1 level 1 Level2 = 0x1 level 2



Offset:0x90			Register Name: INTC_PRIO_REG5
			Level3 = 0x1 level 3, highest priority
3:2	R/W	0x0	IRQ65_PRIO. IRQ 65 Priority. Set priority level for IRQ bit 65 Level0 = 0x0 level 0, lowest priority Level1 = 0x1 level 1 Level2 = 0x1 level 2 Level3 = 0x1 level 3, highest priority
1:0	R/W	0x0	IRQ64_PRIO. IRQ 64 Priority. Set priority level for IRQ bit 64 Level0 = 0x0 level 0, lowest priority Level1 = 0x1 level 1 Level2 = 0x1 level 2 Level3 = 0x1 level 3, highest priority



12. DMA Controller

12.1. Overview

Many peripherals on the A10 use direct memory access (DMA) transfers. There are two kinds of DMA, namely, Normal DMA and Dedicated DMA. For Normal DMA, ONLY one channel can be activated and the sequence is determined by the priority level. For Dedicated DMA, at most 8-channels can be activated at the same time as long as there is conflict of their source or destination.

Both Normal DMA and Dedicated DMA can support 8-bit/16-bit/32-bit data width. The data width of Source and Destination can be different, but the address should be consistently aligned. Although the increase mode of Normal DMA should be address aligned, but there is no need for its byte counter always goes in multiple. The Dedicated DMA can only transfer data between DRAM and modules. DMA Source Address, Destination Address can be modified even if DMA transfers have started.

12.2. DMA Register List

Module Name	Base Address
DMA	0x01C02000

Register Name	Offset	Description
DMA_IRQ_EN_REG	0x0000	DMA IRQ Enable
DMA_IRQ_PEND_STA_REG	0x0004	DMA IRQ Pending Status
NDMA_CTRL_REG	0x100+N*0x20	Normal DMA Configuration (N=0,1,2,3,4,5,6,7)
NDMA_SRC_ADDR_REG	0x100+N*0x20+4	Normal DMA Source Address (N=0,1,2,3,4,5,6,7)
NDMA_DEST_ADDR_REG	0x100+N*0x20+8	Normal DMA Destination Address (N=0,1,2,3,4,5,6,7)
NDMA_BC_REG	0x100+N*0x20+C	Normal DMA Byte Counter (N=0,1,2,3,4,5,6,7)
DDMA_CFG_REG	0x300+N*0x20	Dedicated DMA Configuration (N=0,1,2,3,4,5,6,7)
DDMA_SRC_START_ADDR_REG	0x300+N*0x20+4	Dedicated DMA Source Start Address



		(N=0,1,2,3,4,5,6,7)
DDMA_DEST_START_ADDR_REG	$0x300+N*0x20+8$	Dedicated DMA Destination Start Address (N=0,1,2,3,4,5,6,7)
DDMA_BC_REG	$0x300+N*0x20+C$	Dedicated DMA Byte Counter (N=0,1,2,3,4,5,6,7)
DDMA_PARA_REG	$0x300+N*0x20+0x18$	Dedicated DMA Parameter (N=0,1,2,3,4,5,6,7)

12.3. DMA Programmable Register

12.3.1. DMA IRQ Enable Register(Default: 0x00000000)

Offset: 0x00			Register Name: DMA_IRQ_EN_REG
Bit	Read/Write	Default/Hex	Description
31	R/W	0x0	DDMA7_END_IRQ_EN. Dedicated DMA 7 End Transfer Interrupt Enable. 0: Disable, 1: Enable.
30	R/W	0x0	DDMA7_HF_IRQ_EN. Dedicated DMA 7 Half Transfer Interrupt Enable. 0: Disable, 1: Enable.
29	R/W	0x0	DDMA6_END_IRQ_EN. Dedicated DMA 6 End Transfer Interrupt Enable. 0: Disable, 1: Enable.
28	R/W	0x0	DDMA6_HF_IRQ_EN. Dedicated DMA 6 Half Transfer Interrupt Enable. 0: Disable, 1: Enable.
27	R/W	0x0	DDMA5_END_IRQ_EN. Dedicated DMA 5 End Transfer Interrupt Enable. 0: Disable, 1: Enable.
26	R/W	0x0	DDMA5_HF_IRQ_EN Dedicated DMA 5 Half Transfer Interrupt Enable. 0: Disable, 1: Enable.
25	R/W	0x0	DDMA4_END_IRQ_EN Dedicated DMA 4 End Transfer Interrupt Enable. 0: Disable, 1: Enable.
24	R/W	0x0	DDMA4_HF_IRQ_EN Dedicated DMA 4 Half Transfer Interrupt Enable. 0: Disable, 1: Enable.



23	R/W	0x0	DDMA3_END_IRQ_EN Dedicated DMA 3 End Transfer Interrupt Enable. 0: Disable, 1: Enable.
22	R/W	0x0	DDMA3_HF_IRQ_EN Dedicated DMA 3 Half Transfer Interrupt Enable. 0: Disable, 1: Enable.
21	R/W	0x0	DDMA2_END_IRQ_EN Dedicated DMA 2 End Transfer Interrupt Enable. 0: Disable, 1: Enable.
20	R/W	0x0	DDMA2_HF_IRQ_EN Dedicated DMA 2 Half Transfer Interrupt Enable. 0: Disable, 1: Enable.
19	R/W	0x0	DDMA1_END_IRQ_EN Dedicated DMA 1 End Transfer Interrupt Enable. 0: Disable, 1: Enable.
18	R/W	0x0	DDMA1_HF_IRQ_EN Dedicated DMA 1 Half Transfer Interrupt Enable. 0: Disable, 1: Enable.
17	R/W	0x0	DDMA0_END_IRQ_EN Dedicated DMA 0 End Transfer Interrupt Enable. 0: Disable, 1: Enable.
16	R/W	0x0	DDMA0_HF_IRQ_EN Dedicated DMA 0 Half Transfer Interrupt Enable. 0: Disable, 1: Enable.
15	R/W	0x0	NDMA7_END_IRQ_EN. Normal DMA 7 End Transfer Interrupt Enable. 0: Disable, 1: Enable.
14	R/W	0x0	NDMA7_HF_IRQ_EN Normal DMA 7 Half Transfer Interrupt Enable. 0: Disable, 1: Enable.
13	R/W	0x0	NDMA6_END_IRQ_EN Normal DMA 6 End Transfer Interrupt Enable. 0: Disable, 1: Enable.
12	R/W	0x0	NDMA6_HF_IRQ_EN Normal DMA 6 Half Transfer Interrupt Enable. 0: Disable, 1: Enable.
11	R/W	0x0	NDMA5_END_IRQ_EN Normal DMA 5 End Transfer Interrupt Enable. 0: Disable, 1: Enable.
10	R/W	0x0	NDMA5_HF_IRQ_EN Normal DMA 5 Half Transfer Interrupt Enable. 0: Disable, 1: Enable.
9	R/W	0x0	NDMA4_END_IRQ_EN



			Normal DMA 4 End Transfer Interrupt Enable. 0: Disable, 1: Enable.
8	R/W	0x0	NDMA4_HF_IRQ_EN Normal DMA 4 Half Transfer Interrupt Enable. 0: Disable, 1: Enable.
7	R/W	0x0	NDMA3_END_IRQ_EN Normal DMA 3 End Transfer Interrupt Enable. 0: Disable, 1: Enable.
6	R/W	0x0	NDMA3_HF_IRQ_EN Normal DMA 3 Half Transfer Interrupt Enable. 0: Disable, 1: Enable.
5	R/W	0x0	NDMA2_END_IRQ_EN Normal DMA 2 End Transfer Interrupt Enable. 0: Disable, 1: Enable.
4	R/W	0x0	NDMA2_HF_IRQ_EN Normal DMA 2 Half Transfer Interrupt Enable. 0: Disable, 1: Enable.
3	R/W	0x0	NDMA1_END_IRQ_EN Normal DMA 1 End Transfer Interrupt Enable. 0: Disable, 1: Enable.
2	R/W	0x0	NDMA1_HF_IRQ_EN Normal DMA 1 Half Transfer Interrupt Enable. 0: Disable, 1: Enable.
1	R/W	0x0	NDMA0_END_IRQ_EN Normal DMA 0 End Transfer Interrupt Enable. 0: Disable, 1: Enable.
0	R/W	0x0	NDMA0_HF_IRQ_EN Normal DMA 0 Half Transfer Interrupt Enable. 0: Disable, 1: Enable.

12.3.2.DMA IRQ Pending Status Register(Default: 0x00000000)

Offset: 0x04			Register Name: DMA_IRQ_PEND_STA_REG
Bit	Read/Write	Default/Hex	Description
31	R/W	0x0	DDMA7_END_IRQ_PEND. Dedicated DMA 7 End Transfer Interrupt Pending. Set 1 to the bit will clear it. 0: No effect, 1: Pending.
30	R/W	0x0	DDMA7_HF_IRQ_PEND Dedicated DMA 7 Half Transfer Interrupt Pending. Set 1 to the bit will clear it.



			0: No effect, 1: Pending.
29	R/W	0x0	DDMA6_END_IRQ_PEND Dedicated DMA 6 End Transfer Interrupt Pending. Set 1 to the bit will clear it. 0: No effect, 1: Pending.
28	R/W	0x0	DDMA6_HF_IRQ_PEND Dedicated DMA 6 Half Transfer Interrupt Pending. Set 1 to the bit will clear it. 0: No effect, 1: Pending.
27	R/W	0x0	DDMA5_END_IRQ_PEND Dedicated DMA 5 End Transfer Interrupt Pending. Set 1 to the bit will clear it. 0: No effect, 1: Pending.
26	R/W	0x0	DDMA5_HF_IRQ_PEND Dedicated DMA 5 Half Transfer Interrupt Pending. Set 1 to the bit will clear it. 0: No effect, 1: Pending.
25	R/W	0x0	DDMA4_END_IRQ_PEND Dedicated DMA 4 End Transfer Interrupt Pending. Set 1 to the bit will clear it. 0: No effect, 1: Pending.
24	R/W	0x0	DDMA4_HF_IRQ_PEND Dedicated DMA 4 Half Transfer Interrupt Pending. Set 1 to the bit will clear it. 0: No effect, 1: Pending.
23	R/W	0x0	DDMA3_END_IRQ_PEND Dedicated DMA 3 End Transfer Interrupt Pending. Set 1 to the bit will clear it. 0: No effect, 1: Pending.
22	R/W	0x0	DDMA3_HF_IRQ_PEND Dedicated DMA 3 Half Transfer Interrupt Pending. Set 1 to the bit will clear it. 0: No effect, 1: Pending.
21	R/W	0x0	DDMA2_END_IRQ_PEND Dedicated DMA 2 End Transfer Interrupt Pending. Set 1 to the bit will clear it. 0: No effect, 1: Pending.
20	R/W	0x0	DDMA2_HF_IRQ_PEND Dedicated DMA 2 Half Transfer Interrupt Pending. Set 1 to the bit will clear it. 0: No effect, 1: Pending.
19	R/W	0x0	DDMA1_END_IRQ_PEND Dedicated DMA 1 End Transfer Interrupt Pending. Set 1 to the bit will



			clear it. 0: No effect, 1: Pending.
18	R/W	0x0	DDMA1_HF_IRQ_PEND Dedicated DMA 1 Half Transfer Interrupt Pending. Set 1 to the bit will clear it. 0: No effect, 1: Pending.
17	R/W	0x0	DDMA0_END_IRQ_PEND Dedicated DMA 0 End Transfer Interrupt Pending. Set 1 to the bit will clear it. 0: No effect, 1: Pending.
16	R/W	0x0	DDMA0_HF_IRQ_PEND Dedicated DMA 0 Half Transfer Interrupt Pending. Set 1 to the bit will clear it. 0: No effect, 1: Pending.
15	R/W	0x0	NDMA7_END_IRQ_PEND. Normal DMA 7 End Transfer Interrupt Pending. Set 1 to the bit will clear it. 0: No effect, 1: Pending.
14	R/W	0x0	NDMA7_HF_IRQ_PEND. Normal DMA 7 Half Transfer Interrupt Pending. Set 1 to the bit will clear it. 0: No effect, 1: Pending.
13	R/W	0x0	NDMA6_END_IRQ_PEND. Normal DMA 6 End Transfer Interrupt Pending. Set 1 to the bit will clear it. 0: No effect, 1: Pending.
12	R/W	0x0	NDMA6_HF_IRQ_PEND. Normal DMA 6 Half Transfer Interrupt Pending. Set 1 to the bit will clear it. 0: No effect, 1: Pending.
11	R/W	0x0	NDMA5_END_IRQ_PEND. Normal DMA 5 End Transfer Interrupt Pending. Set 1 to the bit will clear it. 0: No effect, 1: Pending.
10	R/W	0x0	NDMA5_HF_IRQ_PEND. Normal DMA 5 Half Transfer Interrupt Pending. Set 1 to the bit will clear it. 0: No effect, 1: Pending.
9	R/W	0x0	NDMA4_END_IRQ_PEND. Normal DMA 4 End Transfer Interrupt Pending. Set 1 to the bit will clear it. 0: No effect, 1: Pending.
8	R/W	0x0	NDMA4_HF_IRQ_PEND.



			Normal DMA 4 Half Transfer Interrupt Pending. Set 1 to the bit will clear it. 0: No effect, 1: Pending.
7	R/W	0x0	NDMA3_END_IRQ_PEND. Normal DMA 3 End Transfer Interrupt Pending. Set 1 to the bit will clear it. 0: No effect, 1: Pending.
6	R/W	0x0	NDMA3_HF_IRQ_PEND. Normal DMA 3 Half Transfer Interrupt Pending. Set 1 to the bit will clear it. 0: No effect, 1: Pending.
5	R/W	0x0	NDMA2_END_IRQ_PEND. Normal DMA 2 End Transfer Interrupt Pending. Set 1 to the bit will clear it. 0: No effect, 1: Pending.
4	R/W	0x0	NDMA2_HF_IRQ_PEND. Normal DMA 2 Half Transfer Interrupt Pending. Set 1 to the bit will clear it. 0: No effect, 1: Pending.
3	R/W	0x0	NDMA1_END_IRQ_PEND. Normal DMA 1 End Transfer Interrupt Pending. Set 1 to the bit will clear it. 0: No effect, 1: Pending.
2	R/W	0x0	NDMA1_HF_IRQ_PEND. Normal DMA 1 Half Transfer Interrupt Pending. Set 1 to the bit will clear it. 0: No effect, 1: Pending.
1	R/W	0x0	NDMA0_END_IRQ_PEND. Normal DMA 0 End Transfer Interrupt Pending. Set 1 to the bit will clear it. 0: No effect, 1: Pending.
0	R/W	0x0	NDMA0_HF_IRQ_PEND. Normal DMA 0 Half Transfer Interrupt Pending. Set 1 to the bit will clear it. 0: No effect, 1: Pending.

12.3.3.NDMA Auto Gating Register(Default: 0x00000000)

Offset: 0x08			Register Name: NDMA_AUTO_GAT_REG
			Default Value: 0x0000_0000
Bit	Read/ Write	Default /Hex	Description



31:17	/	/	/.
16	R/W	0x0	NDMA Auto Clock Gating bit 0: NDMA auto clock gating enable 1: NDMA auto clock gating disable If NDMA works in continuous mode, this bit should be set to 1.
15:0	/	/	/

12.3.4. Normal DMA Configuration Register(Default:

0x00000000)

Offset: 0x100+N*0x20 (N=0,1,2,3,4,5,6,7)			Register Name: NDMA_CTRL_REG
Bit	Read/ Write	Default /Hex	Description
31	R/W	0x0	DMA_LOADING. DMA Loading. If set to 1, DMA will start and load the DMA registers to the shadow registers. The bit will hold on until the DMA finished. It will be cleared automatically. Set 0 to the bit will reset the corresponding DMA channel.
30	R/W	0x0	DMA_CONTI_MODE_EN. DMA Continuous Mode Enable. 0: Disable, 1: Enable.
29:27	R/W	0x0	DMA_WAIT_STATE. DMA Wait State. 0: wait for 0 DMA clock to request, ... 7: wait for 2 ⁽ⁿ⁺¹⁾ DMA clock to request.
26:25	R/W	0x0	NDMA_DEST_DATA_WIDTH. Normal DMA Destination Data Width. 00: 8-bit 01: 16-bit 10: 32-bit 11: /
24:23	R/W	0x0	DMA_DEST_BST_LEN. DMA Destination Burst Length. 00: 1, 01: 4 10: 8 11: /.



22	R/W	0x0	DMA_DEST_SEC. DMA Destination Security 0: secure, 1: non-secure.
21	R/W	0x0	NDMA_DEST_ADDR_TYPE. Normal DMA Destination Address Type. 0: Increment 1: No Change.
20:16	R/W	0x0	NDMA_DEST_DRQ_TYPE. Normal DMA Destination DRQ Type. 00000 : IR0-TX 00001 : IR1-TX 00010 : NC 00011 : IIS-TX 00100 : / 00101 : AC97-TX 00110 : 00111 : 01000 : UART0 TX 01001 : UART1 TX 01010 : UART2 TX 01011 : UART3 TX 01100 : UART4 TX 01101 : UART5 TX 01110 : UART6 TX 01111 : UART7 TX 10000 : HDMI DDC TX 10001 : / 10010 : / 10011 : Audio Codec D/A 10100 : / 10101 : SRAM(range :) 10110 : SDRAM 10111 : / 11000 : SPI0 TX 11001 : SPI1 TX 11010 : SPI2 TX 11011 : SPI3 TX others : reserved.
15	R/W	0x0	BC_MODE_SEL. BC mode select. 0 : normal mode(the value read back is equal to the value that is written) 1 : remain mode(the value read back is equal to the remain



			counter to be transferred).
14:11	/	/	/
10:9	R/W	0x0	NDMA_SRC_DATA_WIDTH. Normal DMA Source Data Width. 00: 8-bit 01: 16-bit 10: 32-bit 11: /
8:7	R/W	0x0	DMA_SRC_BST_LEN. DMA Source Burst Length. 00: 1 01: 4 10: 8 11: /
6	R/W	0x0	DMA_SRC_SEC. DMA Source Security. 0 : secure, 1 : non-secure.
5	R/W	0x0	NDMA_SRC_ADDR_TYPE. Normal DMA Source Address Type. 0: Increment 1: No Change
4:0	R/W	0x0	NDMA_SRC_DRQ_TYPE. Normal DMA Source DRQ Type. 00000 : IR0-RX 00001 : IR1-RX 00010: / 00011 : IIS-RX 00100 : / 00101 : AC97-RX 00110 : 00111 : / 01000 : UART0 RX 01001 : UART1 RX 01010 : UART2 RX 01011 : UART3 RX 01100 : UART4 RX 01101 : UART5 RX 01110 : UART6 RX 01111 : UART7 RX 10000 : HDMI DDC RX 10001 : / 10010 : / 10011 : Audio Codec A/D



			10100 : / 10101 : SRAM(range :) 10110 : SDRAM 10111 : TP A/D 11000 : SPI0 RX 11001 : SPI1 RX 11010 : SPI2 RX 11011 : SPI3 RX others : reserved.
--	--	--	--

12.3.5. Normal DMA Source Address Register (Default: 0x00000000)

Offset: 0x100+N*0x20+0x4 (N=0,1,2,3,4,5,6,7)			Register Name: NDMA_SRC_ADDR_REG
Bit	Read/ Write	Default /Hex	Description
31:0	R/W	0x0	NDMA_SRC_ADDR. Normal DMA Source Address.

12.3.6. Normal DMA Destination Address Register (Default: 0x00000000)

Offset: 0x100+N*0x20+0x8 (N=0,1,2,3,4,5,6,7)			Register Name: NDMA_DEST_ADDR_REG
Bit	Read/ Write	Default /Hex	Description
31:0	R/W	0x0	NDMA_DEST_ADDR. Normal DMA Destination Address.

12.3.7. Normal DMA Byte Counter Register (Default: 0x00000000)

Offset: 0x100+N*0x20+0xC (N=0,1,2,3,4,5,6,7)			Register Name: NDMA_BC_REG
---	--	--	-----------------------------------



Bit	Read/ Write	Default /Hex	Description
31:24	/	/	/
23:0	R/W	0x0	NDMA_BC. Normal DMA Byte Counter.

Note: If ByteCounter=0, DMA will transfer no byte. The maximum value is 128k.

12.3.8. Dedicated DMA Configuration Register (Default:

0x00000000)

Offset: 0x300+N*0x20 (N=0,1,2,3,4,5,6,7)			Register Name: DDMA_CFG_REG
Bit	Read /Write	Defa ult/H ex	Description
31	R/W	0x0	DMA_LOADING. DMA Loading. If set to 1, DMA will start and load the DMA registers to the shadow registers. The bit will hold on until the DMA finished. It will be cleared automatically. Set 0 to the bit will stop the corresponding DMA channel and reset its state machine.
30	R	0x0	DMA_BSY_STA. DMA Busy Status. 0: DMA idle, 1: DMA busy.
29	R/W	0x0	DMA_CONT_MODE_EN. DMA Continuous Mode Enable. 0: Disable, 1: Enable.
28	R/W	0x0	DMA_DEST_SEC. DMA Destination Security. 0: secure, 1: non-secure
27	/	/	/
26:25	R/W	0x0	DMA_DEST_DATA_WIDTH. DMA Destination Data Width. 00: 8-bit 01: 16-bit 10: 32-bit 11: /
24:23	R/W	0x0	DMA_DEST_BST_LEN. DMA Destination Burst Length.



			00: 1, 01: 4. 10: 8 11: /
22:21	R/W	0x0	DMA_ADDR_MODE. DMA Destination Address Mode DMA Source Address Mode 0x0: Linear Mode 0x1: IO Mode 0x2: Horizontal Page Mode 0x3: Vertical Page Mode
20:16	R/W	0x0	DDMA_DEST_DRQ_TYPE. Dedicated DMA Destination DRQ Type 0x0: SRAM memory 0x1: SDRAM memory 0x2: PATA 0x3: NAND Flash Controller (NFC) 0x4: USB0 0x5: / 0x6: Ethernet MAC Tx 0x7: / 0x8: SPI1 TX 0x9: / 0xA: Security System Tx 0xB: / 0xC: / 0xD: / 0xE: TCON0 0xF: TCON1 0x10: / 0x11: / 0x12: / 0x13: / 0x14: / 0x15: / 0x16: / 0x17: Memory Stick Controller (MSC) 0x18: HDMI Audio 0x19: / 0x1A: SPI0 TX 0x1B: / 0x1C: SPI2 TX 0x1D: /



			0x1E: SPI3 TX 0x1F: ./
15	R/W	0x0	BC_MODE_SEL. BC mode select. 0: normal mode(the value read back is equal to the value that is written) 1: remain mode(the value read back is equal to the remain counter to be transfered).
14:13	/	/	/
12	R/W	0x0	DMA_SRC_SEC. DMA Source Security. 0: secure, 1: non-secure.
11	/	/	/
10:9	R/W	0x0	DMA_SRC_DATA_WIDTH. DMA Source Data Width. 00: 8-bit 01: 16-bit 10: 32-bit 11: /
8:7	R/W	0x0	DMA_SRC_BST_LEN. DMA Source Burst Length. 00: 1, 01: 4 10: 8 11: /.
6:5	R/W	0x0	DMA_SRC_ADDR_MODE. DMA Source Address Mode 0x0: Linear Mode 0x1: IO Mode 0x2: Horizontal Page Mode 0x3: Vertical Page Mode
4:0	R/W	0x0	DDMA_SRC_DRQ_TYPE. Dedicated DMA Source DRQ Type 0x0: SRAM memory 0x1: SDRAM memory 0x2: PATA 0x3: NAND Flash Controller (NFC) 0x4: USB0 0x5: / 0x6: / 0x7: Ethernet MAC Rx 0x8: / 0x9: SPI1 RX



			0xA: / 0xB: Security System Rx 0xC: / 0xD: / 0xE: / 0xF: / 0x10: / 0x11: / 0x12: / 0x13: / 0x14: / 0x15: / 0x16: / 0x17: Memory Stick Controller (MSC) 0x18: / 0x19: / 0x1A: / 0x1B: SPI0 RX. 0x1C: / 0x1D: SPI2 RX 0x1E: / 0x1F: SPI3 RX
--	--	--	--

12.3.9. Dedicated DMA Source Start Address Register(N=0:7)

Offset: 0x300+N*0x20+0x4 (N=0,1,2,3,4,5,6,7)			Register Name: DDMA_SRC_START_ADDR_REG
Bit	Read/ Write	Default /Hex	Description
31:0	R/W	x	DDMA_SRC_START_ADDR. Dedicated DMA Source Start Address.

12.3.10. Dedicated DMA Destination Start Address Register

Offset: 0x300+N*0x20+0x8 (N=0,1,2,3,4,5,6,7)			Register Name: DDMA_DEST_START_ADDR_REG
Bit	Read/ Write	Default /Hex	Description
31:0	R/W	x	DDMA_DEST_START_ADDR. Dedicated DMA Destination Start Address.



12.3.11. Dedicated DMA Byte Counter Register

Offset: 0x300+N*0x20+0xC (N=0,1,2,3,4,5,6,7)			Register Name: DDMA_BC_REG
Bit	Read/ Write	Default /Hex	Description
31:25	/	/	/
24:0	R/W	x	DDMA_BC. Dedicated DMA Byte Counter.

Note: If ByteCounter=0, DMA will transfer no byte. The maximum value is 0x1000000.

12.3.12. Dedicated DMA Parameter Register

Offset: 0x300+N*0x20+0x18 (N=0,1,2,3,4,5,6,7)			Register Name: DDMA_PARA_REG
Bit	Read/ Write	Default /Hex	Description
31:24	R/W	0x0	DEST_DATA_BLK_SIZE. Destination Data Block Size n.
23:16	R/W	0x0	DEST_WAIT_CYC. Destination Wait Clock Cycles n
15:8	R/W	0x0	SRC_DATA_BLK_SIZE. Source Data Block Size n.
7:0	R/W	0x0	SRC_WAIT_CYC. Source Wait Clock Cycles n.

Note: If the counter=N, the value is N+1.



13. SDRAM Controller

13.1. Overview

The SDRAM Controller (DRAMC) provides a simple, flexible, burst-optimized interface to all in-dusty-standard double data rate II (DDR2) ordinary SDRAM and double data rate III (DDR3) ordinary SDRAM. It supports up to a 16G bits memory address space.

The DRAMC automatically handles memory management, initialization, and refresh operations. It gives the host CPU a simple command interface, hiding details of the required address, page, and burst handling procedures. All memory parameters are runtime-configurable, including timing, memory setting, SDRAM type, and Extended-Mode-Register settings.

The DRAMC includes the following features:

- Support DDR2 SDRAM and DDR3 SDRAM
- Support Different Memory Device's Power Voltage of 1.5V and 1.8V
- Support DDR2/3 SDRAM of clock frequency up to DDR800
- Support Memory Capacity up to 16G bits (2G Bytes)
- Support 2 chip select signals
- 15 address lines and three bank address lines
- Data IO size can up to 32-bit for DDR2 and DDR3 (x8, x16)
- Automatically generates initialization and refresh sequences
- Runtime-configurable parameters setting for application flexibility
- Clock frequency can be chosen for different application
- Priority of transferring through multiple ports is programmable
- Random read or write operation is supported



14. NAND Flash Controller

14.1. Overview

The NFC is the NAND Flash Controller which supports all NAND/MLC flash memory available in the market. New type flash can be supported by software re-configuration. The NFC can support 8 NAND flash with 1.8/3.3 V voltage supply. There are 8 separate chip select lines (CE#) for connecting up to 8 flash chips with 2 R/B signals.

The On-the-fly error correction code (ECC) is built-in NFC for enhancing reliability. BCH is implemented and it can detect and correct up to 64 bits error per 512 or 1024 bytes data. The on chip ECC and parity checking circuitry of NFC frees CPU for other tasks. The ECC function can be disabled by software.

The data can be transferred by DMA or by CPU memory-mapped IO method. The NFC provides automatic timing control for reading or writing external Flash. The NFC maintains the proper relativity for CLE, CE# and ALE control signal lines. Three kinds of mode are supported for serial read access. The conventional serial access is mode 0 and mode 1 is for EDO type and mode 2 for extension EDO type. NFC can monitor the status of R/B# signal line.

Block management and wear leveling management are implemented in software.

The NAND Flash Controller (NFC) includes the following features:

- Supports all SLC/MLC/TLC flash and EF-NAND memory available in the market
- Software configure seed for randomize engine
- Software configure method for adaptability to a variety of system and memory types
- Supports 8-bit Data Bus Width
- Supports 1024, 2048, 4096, 8192, 16384 bytes size per page
- Supports 1.8/3.3 V voltage supply Flash
- Up to 8 flash chips which are controlled by NFC_CEx#
- Supports Conventional and EDO serial access method for serial reading Flash
- On-the-fly BCH error correction code which correcting up to 64 bits per 512 or 1024 bytes
- Corrected Error bits number information report
- ECC automatic disable function for all 0xff data
- NFC status information is reported by its' registers and interrupt is supported
- One Command FIFO
- External DMA is supported for transferring data
- Two 256x32-bit RAM for Pipeline Procession
- Support SDR, DDR and Toggle NAND
- Support self -debug for NFC debug



15. SD3.0 Controller

15.1. Overview

The SD3.0 controller can be configured either as a Secure Digital Multimedia Card controller, which simultaneously supports Secure Digital memory (SD Memo), UHS-1 Card, Secure Digital I/O (SDIO), Multimedia Cards (MMC), eMMC Card and Consumer Electronics Advanced Transport Architecture (CE-ATA).

The SD3.0 controller includes the following features:

- Supports Secure Digital memory protocol commands (up to SD3.0)
- Supports Secure Digital I/O protocol commands
- Supports Multimedia Card protocol commands (up to MMC4.3)
- Supports CE-ATA digital protocol commands
- Supports eMMC boot operation and alternative boot operation
- Supports UHS-1 card voltage switching and DDR R/W operation
- Supports Command Completion signal and interrupt to host processor and Command Completion Signal disable feature
- Supports one SD (Version 1.0 to 3.0) or MMC (Version 3.3 to 4.3) or CE-ATA device
- Supports hardware CRC generation and error detection
- Supports programmable baud rate
- Supports host pull-up control
- Supports SDIO interrupts in 1-bit and 4-bit modes
- Supports SDIO suspend and resume operation
- Supports SDIO read wait
- Supports block size of 1 to 65535 bytes
- Supports descriptor-based internal DMA controller
- Internal 16x32-bit (64 bytes total) FIFO for data transfer
- Support 3.3 V and 1.8V IO pad

15.2. SD3.0 Timing Diagram

Please refer to relative Specifications as following:

- Physical Layer Specification Ver3.00 Final, 2009.04.16
- SDIO Specification Ver2.00
- Consumer Electronics Advanced Transport Architecture (CE-ATA – version 1.1)
- Multimedia Cards (MMC – version 4.2)
- JEDEC Standard – JESD84-44, Embedded Multimedia Card (eMMC) Card Product Standard



16. Two Wire Interface

16.1. Overview

This 2-Wire Controller is designed to be used as an interface between CPU host and the serial 2-Wire bus. It can support all the standard 2-Wire transfer, including Slave and Master. The communication to the 2-Wire bus is carried out on a byte-wise basis using interrupt or polled handshaking. This 2-Wire Controller can be operated in standard mode (100K bps) or fast-mode, supporting data rate up to 400K bps. Multiple Masters and 10-bit addressing Mode are supported for this specified application. General Call Addressing is also supported in Slave mode.

The 2-Wire Controller includes the following features:

- Software-programmable for Slave or Master
- Support Repeated START signal
- Support Multi-master systems
- Support 10-bit addressing with 2-Wire bus
- Performs arbitration and clock synchronization
- Own address and General Call address detection
- Interrupt on address detection
- Supports speeds up to 400Kbits/s ('fast mode')
- Support operation from a wide range of input clock frequencies

16.2. TWI Controller Timing Diagram

Data transferred are always in a unit of 8-bit (byte), followed by an acknowledge bit. The number of bytes that can be transmitted per transfer is unrestricted. Data is transferred in serial with the MSB first. Between each byte of data transfer, a receiver device will hold the clock line SCL low to force the transmitter into a wait state while waiting the response from microprocessor.

Data transfer with acknowledge is obligatory. The clock line is driven by the master all the time, including the acknowledge-related clock cycle, except for the SCL holding between each bytes. After sending each byte, the transmitter releases the SDA line to allow the receiver to pull down the SDA line and send an acknowledge signal (or leave it high to send a "not acknowledge") to the transmitter.

When a slave receiver doesn't acknowledge the slave address (unable to receive because of no resource available), the data line must be left high by the slave so that the master can then generate a STOP condition to abort the transfer. Slave receiver can also indicate not to want to send more data during a transfer by leave the acknowledge signal high. And the master should generate the STOP condition to abort the transfer.



Below diagram provides an illustration the relation of SDA signal line and SCL signal line on the 2-Wire serial bus.

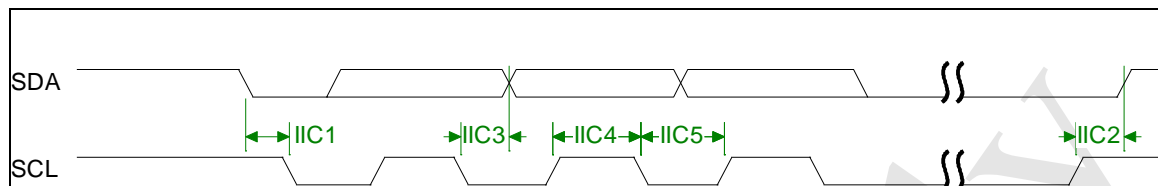


Figure 16-1 2-Wire Timing Diagram

16.3. TWI Controller Register List

Module Name	Base Address	
TWI0	0x01C2AC00	
TWI1	0x01C2B000	
TWI2	0x01C2B400	

Register Name	Offset	Description
TWI_ADDR	0x0000	TWI Slave address
TWI_XADDR	0x0004	TWI Extended slave address
TWI_DATA	0x0008	TWI Data byte
TWI_CNTR	0x000C	TWI Control register
TWI_STAT	0x0010	TWI Status register
TWI_CCR	0x0014	TWI Clock control register
TWI_SRST	0x0018	TWI Software reset
TWI_EFR	0x001C	TWI Enhance Feature register
TWI_LCR	0x0020	TWI Line Control register

16.4. TWI Controller Register Description

16.4.1. TWI Slave Address Register

Offset: 0x00			Register Name: TWI_ADDR
Default Value: 0x0000_0000			
Bit	Read/Write	Default	Description
31:8	/	/	/
7:1	R/W	0	SLA Slave address <ul style="list-style-type: none"> ● 7-bit addressing SLA6, SLA5, SLA4, SLA3, SLA2, SLA1, SLA0 ● 10-bit addressing



			1, 1, 1, 1, 0, SLAX[9:8]
0	R/W	0	GCE General call address enable 0: Disable 1: Enable

Notes:

For 7-bit addressing:

SLA6 – SLA0 is the 7-bit address of the TWI when in slave mode. When the TWI receives this address after a START condition, it will generate an interrupt and enter slave mode. (SLA6 corresponds to the first bit received from the 2-Wire bus.) If GCE is set to '1', the TWI will also recognize the general call address (00h).

For 10-bit addressing:

When the address received starts with 11110b, the TWI recognizes this as the first part of a 10-bit address and if the next two bits match ADDR[2:1] (i.e. SLAX9 and SLAX8 of the device's extended address), it sends an ACK. (The device does not generate an interrupt at this point.) If the next byte of the address matches the XADDR register (SLAX7 – SLAX0), the TWI generates an interrupt and goes into slave mode.

16.4.2. TWI Extend Address Register

Offset: 0x04			Register Name: TWI_XADDR Default Value: 0x0000_0000
Bit	Read/Write	Default	Description
31:8	/	/	/
7:0	R/W	0	SLAX Extend Slave Address SLAX[7:0]

16.4.3. TWI Data Register

Offset: 0x08			Register Name: TWI_DATA Default Value: 0x0000_0000
Bit	Read/Write	Default	Description
31:8	/	/	/
7:0	R/W	0	TWI_DATA Data byte for transmitting or received

16.4.4. TWI Control Register

Offset: 0x0C	Register Name: TWI_CNTR
---------------------	--------------------------------



			Default Value: 0x0000_0000
Bit	Read/Write	Default	Description
31:8	/	/	/
7	R/W	0	<p>INT_EN Interrupt Enable</p> <p>1'b0: The interrupt line always low</p> <p>1'b1: The interrupt line will go high when INT_FLAG is set.</p>
6	R/W	0	<p>BUS_EN 2-Wire Bus Enable</p> <p>1'b0: The 2-Wire bus inputs ISDA/ISCL are ignored and the 2-Wire Controller will not respond to any address on the bus</p> <p>1'b1: The TWI will respond to calls to its slave address – and to the general call address if the GCE bit in the ADDR register is set.</p> <p>Notes: In master operation mode, this bit should be set to '1'</p>
5	R/W	0	<p>M_STA Master Mode Start</p> <p>When M_STA is set to '1', TWI Controller enters master mode and will transmit a START condition on the bus when the bus is free. If the M_STA bit is set to '1' when the 2-Wire Controller is already in master mode and one or more bytes have been transmitted, then a repeated START condition will be sent. If the M_STA bit is set to '1' when the TWI is being accessed in slave mode, the TWI will complete the data transfer in slave mode then enter master mode when the bus has been released.</p> <p>The M_STA bit is cleared automatically after a START condition has been sent: writing a '0' to this bit has no effect.</p>
4	R/W	0	<p>M_STP Master Mode Stop</p> <p>If M_STP is set to '1' in master mode, a STOP condition is transmitted on the 2-Wire bus. If the M_STP bit is set to '1' in slave mode, the TWI will behave as if a STOP condition has been received, but no STOP condition will be transmitted on the 2-Wire bus. If both M_STA and M_STP bits are set, the TWI will first transmit the STOP condition (if in master mode) then transmit the START condition.</p>



			The M_STP bit is cleared automatically: writing a '0' to this bit has no effect.
3	R/W	0	<p>INT_FLAG Interrupt Flag</p> <p>INT_FLAG is automatically set to '1' when any of 28 (out of the possible 29) states is entered (see 'STAT Register' below). The only state that does not set INT_FLAG is state F8h. If the INT_EN bit is set, the interrupt line goes high when IFLG is set to '1'. If the TWI is operating in slave mode, data transfer is suspended when INT_FLAG is set and the low period of the 2-wire bus clock line (SCL) is stretched until '0' is written to INT_FLAG. The 2-wire clock line is then released and the interrupt line goes low.</p>
2	R/W	0	<p>A_ACK Assert Acknowledge</p> <p>When A_ACK is set to '1', an Acknowledge (low level on SDA) will be sent during the acknowledge clock pulse on the 2-Wire bus if:</p> <ol style="list-style-type: none"> 1. Either the whole of a matching 7-bit slave address or the first or the second byte of a matching 10-bit slave address has been received. 2. The general call address has been received and the GCE bit in the ADDR register is set to '1'. 3. A data byte has been received in master or slave mode. <p>When A_ACK is '0', a Not Acknowledge (high level on SDA) will be sent when a data byte is received in master or slave mode.</p> <p>If A_ACK is cleared to '0' in slave transmitter mode, the byte in the DATA register is assumed to be the 'last byte'. After this byte has been transmitted, the TWI will enter state C8h then return to the idle state (status code F8h) when INT_FLAG is cleared.</p>
1:0	R/W	0	The TWI will not respond as a slave unless A_ACK is set.
			/

**16.4.5. TWI Status Register**

Offset: 0x10			Register Name: TWI_STAT Default Value: 0x0000_00F8
Bit	Read/Write	Default	Description
31:8	/	/	/
7:0	R	0xF8	STA Status Information Byte Code Status 0x00: Bus error 0x08: START condition transmitted 0x10: Repeated START condition transmitted 0x18: Address + Write bit transmitted, ACK received 0x20: Address + Write bit transmitted, ACK not received 0x28: Data byte transmitted in master mode, ACK received 0x30: Data byte transmitted in master mode, ACK not received 0x38: Arbitration lost in address or data byte 0x40: Address + Read bit transmitted, ACK received 0x48: Address + Read bit transmitted, ACK not received 0x50: Data byte received in master mode, ACK transmitted 0x58: Data byte received in master mode, not ACK transmitted 0x60: Slave address + Write bit received, ACK transmitted 0x68: Arbitration lost in address as master, slave address + Write bit received, ACK transmitted 0x70: General Call address received, ACK transmitted 0x78: Arbitration lost in address as master, General Call address received, ACK transmitted 0x80: Data byte received after slave address received, ACK transmitted 0x88: Data byte received after slave address received, not ACK transmitted 0x90: Data byte received after General Call received, ACK transmitted 0x98: Data byte received after General Call received, not ACK transmitted 0xA0: STOP or repeated START condition received in slave mode



			<p>0xA8: Slave address + Read bit received, ACK transmitted</p> <p>0xB0: Arbitration lost in address as master, slave address + Read bit received, ACK transmitted</p> <p>0xB8: Data byte transmitted in slave mode, ACK received</p> <p>0xC0: Data byte transmitted in slave mode, ACK not received</p> <p>0xC8: Last byte transmitted in slave mode, ACK received</p> <p>0xD0: Second Address byte + Write bit transmitted, ACK received</p> <p>0xD8: Second Address byte + Write bit transmitted, ACK not received</p> <p>0xF8: No relevant status information, INT_FLAG=0</p> <p>Others: Reserved</p>
--	--	--	---

16.4.6. TWI Clock Register

Offset: 0x14			Register Name: TWI_CCR Default Value: 0x0000_0000
Bit	Read/Write	Default	Description
31:7	/	/	/
6:3	R/W	0	CLK_M
			<p>CLK_N</p> <p>The 2-Wire bus is sampled by the TWI at the frequency defined by F0:</p> $F_{\text{samp}} = F_0 = F_{\text{in}} / 2^{\text{CLK_N}}$ <p>The TWI OSCL output frequency, in master mode, is F1 / 10:</p> $F_1 = F_0 / (\text{CLK_M} + 1)$ $F_{\text{oscl}} = F_1 / 10 = F_{\text{in}} / (2^{\text{CLK_N}} * (\text{CLK_M} + 1) * 10)$ <p>For Example:</p> <p>Fin = 48Mhz (APB clock input)</p> <p>For 400kHz full speed 2Wire, CLK_N = 2, CLK_M=2</p> $F_0 = 48\text{M} / 2^2 = 12\text{Mhz}, F_1 = F_0 / (10 * (2+1)) = 0.4\text{Mhz}$ <p>For 100Khz standard speed 2Wire, CLK_N=2, CLK_M=11</p> $F_0 = 48\text{M} / 2^2 = 12\text{Mhz}, F_1 = F_0 / (10 * (11+1)) = 0.1\text{Mhz}$
2:0	R/W	0	

16.4.7. TWI Soft Reset Register

Offset: 0x18	Register Name: TWI_SRST
--------------	-------------------------



			Default Value: 0x0000_0000
Bit	Read/Write	Default	Description
31:1	/	/	/
0	R/W	0	SOFT_RST Soft Reset Write '1' to this bit to reset the TWI and clear to '0' when completing Soft Reset operation.

16.4.8. TWI Enhance Feature Register

Offset: 0x1C			Register Name: TWI_EFR Default Value: 0x0000_0000
Bit	Read/Write	Default	Description
31:2	/	/	/
0:1	R/W	0	DBN Data Byte number follow Read Command Control 0— No Data Byte to be wrote after read command 1— Only 1 byte data to be wrote after read command 2— 2 bytes data can be wrote after read command 3— 3 bytes data can be wrote after read command

16.4.9. TWI Line Control Register

Offset: 0x20			Register Name: TWI_LCR Default Value: 0x0000_003a
Bit	Read/Write	Default	Description
31:6	/	/	/
5	R	1	SCL_STATE Current state of TWI_SCL 0 – low 1 - high
4	R	1	SDA_STATE Current state of TWI_SDA 0 – low 1 - high
3	R/W	1	SCL_CTL TWI_SCL line state control bit When line control mode is enabled (bit[2] set), value of this bit decide the output level of TWI_SCL 0 – output low level 1 – output high level



2	R/W	0	<p>SCL_CTL_EN TWI_SCL line state control enable When this bit is set, the state of TWI_SCL is control by the value of bit[3]. 0-disable TWI_SCL line control mode 1-enable TWI_SCL line control mode</p>
1	R/W	1	<p>SDA_CTL TWI_SDA line state control bit When line control mode is enabled (bit[0] set), value of this bit decide the output level of TWI_SDA 0 – output low level 1 – output high level</p>
0	R/W	0	<p>SDA_CTL_EN TWI_SDA line state control enable When this bit is set, the state of TWI_SDA is control by the value of bit[1]. 0-disable TWI_SDA line control mode 1-enable TWI_SDA line control mode</p>

16.4.10. TWI DVFS Control Register

Offset: 0x24			Register Name: TWI_DVFSCR Default Value: 0x0000_0000
Bit	Read/Write	Default	Description
31:2	/	/	/
2	R/W	0	<p>MS_PRIORITY CPU and DVFS BUSY set priority select 0: CPU has higher priority 1: DVFS has higher priority</p>
1	R/W	0	<p>CPU_BUSY_SET CPU Busy set</p>
0	R/W	0	<p>DVFC_BUSY_SET DVFS Busy set</p>

Notes: This register is only implemented in TWI0.

16.5. TWI Controller Special Requirement

16.5.1. TWI Pin List

Port Name	Width	Direction	Description
-----------	-------	-----------	-------------



TWI_SCL	1	IN/OUT	TWI Clock line
TWI_SDA	1	IN/OUT	TWI Serial Data line

16.5.2. TWI Controller Operation

There are four operation modes on the 2-Wire bus which dictates the communications method. They are Master Transmit, Master Receive, Slave Transmit and Slave Receive. In general, CPU host controls TWI by writing commands and data to it's registers. The TWI interrupts the CPU host for the attention each time a byte transfer is done or a START/STOP conditions is detected. The CPU host can also poll the status register for current status if the interrupt mechanism is not disabled by the CPU host.

When the CPU host wants to start a bus transfer, it initiates a bus START to enter the master mode by setting IM_STA bit in the 2WIRE_CNTR register to high (before it must be low). The TWI will assert INT line and INT_FLAG to indicate a completion for the START condition and each consequent byte transfer. At each interrupt, the micro-processor needs to check the 2WIRE_STAT register for current status. A transfer has to be concluded with STOP condition by setting M_STP bit high.

In Slave Mode, the TWI also constantly samples the bus and look for its own slave address during addressing cycles. Once a match is found, it is addressed and interrupt the CPU host with the corresponding status. Upon request, the CPU host should read the status, read/write 2WIRE_DATA data register, and set the 2WIRE_CNTR control register. After each byte transfer, a slave device always halt the operation of remote master by holding the next low pulse on SCL line until the microprocessor responds to the status of previous byte transfer or START condition.



17. SPI Interface

17.1. Overview

The SPI is the Serial Peripheral Interface which allows rapid data communication with less software interrupts. The SPI module contains one 64x8 receiver buffer (RXFIFO) and one 64x8 transmit buffer (TXFIFO). It can work at two modes: Master mode and Slave mode. It includes the following features:

- Full-duplex synchronous serial interface
- Configurable Master/Slave
- SPI0 has four chip selects and SPI1 has only one chip select
- 8x64 FIFO for both transmit and receive data
- Configurable Polarity and phase of the Chip Select (SPI_SS) and SPI Clock (SPI_SCLK)
- Support Dedicated DMA

17.2. SPI Timing Diagram

The serial peripheral interface master uses the SPI_SCLK signal to transfer data in and out of the shift register. Data is clocked using any one of four programmable clock phase and polarity combinations.

During Phase 0, Polarity 0 and Phase 1, Polarity 1 operations, output data changes on the falling clock edge and input data is shifted in on the rising edge.

During Phase 1, Polarity 0 and Phase 0, Polarity 1 operations, output data changes on the rising edges of the clock and is shifted in on falling edges.

The POL defines the signal polarity when SPI_SCLK is in idle state. The SPI_SCLK is high level when POL is '1' and it is low level when POL is '0'. The PHA decides whether the leading edge of SPI_SCLK is used for setup or sample data. The leading edge is used for setup data when PHA is '1' and for sample data when PHA is '0'. The four kind of modes are listed below:

SPI Mode	POL	PHA	Leading Edge	Trailing Edge
0	0	0	Rising, Sample	Falling, Setup
1	0	1	Rising, Setup	Falling, Sample
2	1	0	Falling, Sample	Rising, Setup
3	1	1	Falling, Setup	Rising, Sample

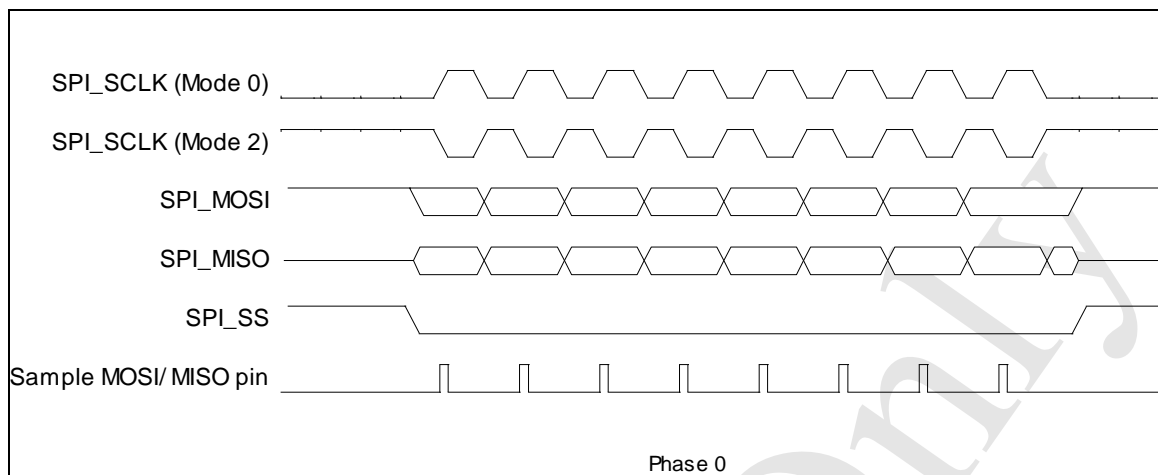


Figure 17-1 SPI Phase 0 Timing Diagram

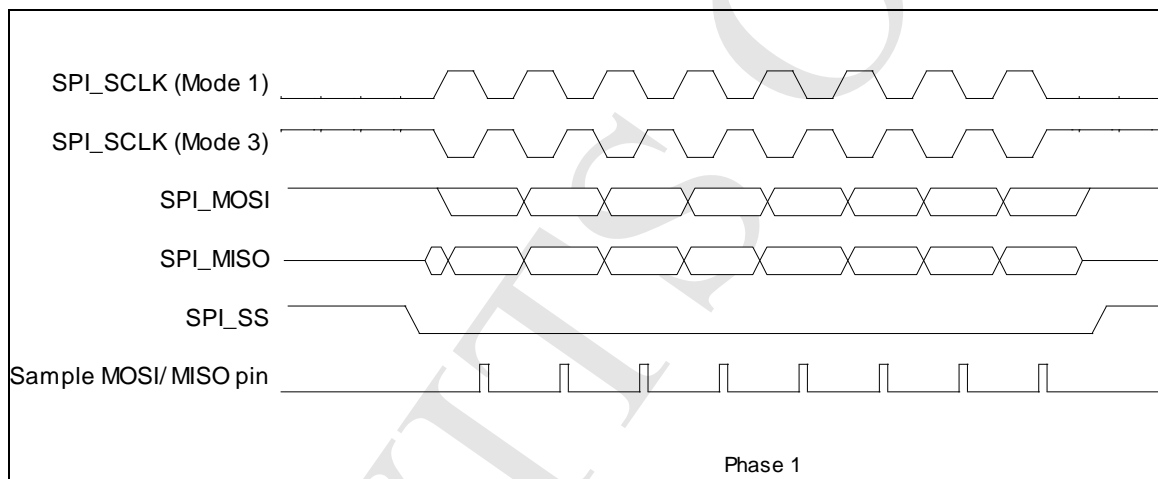


Figure 17-2 SPI Phase 1 Timing Diagram

17.3. SPI Register List

Module Name	Base Address	
SPI0	0x01C05000	
SPI1	0x01C06000	
SPI2	0x01C17000	
SPI3	0x01C1F000	

Register Name	Offset	Description
SPI_RXDATA	0x00	SPI RX Data register
SPI_TXDATA	0x04	SPI TX Data register
SPI_CTL	0x08	SPI Control register
SPI_INTCTL	0x0C	SPI Interrupt Control register
SPI_ST	0x10	SPI Status register



SPI_DMACTL	0x14	SPI DMA Control register
SPI_WAIT	0x18	SPI Wait Clock Counter register
SPI_CCTL	0x1C	SPI Clock Rate Control register
SPI_BC	0x20	SPI Burst Counter register
SPI_TC	0x24	SPI Transmit Counter Register
SPI_FIFO_STA	0x28	SPI FIFO Status register

17.4. SPI Register Description

17.4.1.SPI RX Data Register

Offset: 0x00			Register Name: SPI_RXDATA Default Value: 0x0000_0000
Bit	Read/Write	Default	Description
31:0	R	0	<p>RDATA Receive Data</p> <p>In 8-bits SPI bus width, this register can be accessed in byte, half-word or word unit by AHB. In byte accessing method, if there are words in RXFIFO, the top word is returned and the RXFIFO depth is decreased by 1. In half-word accessing method, the two SPI bursts are returned and the RXFIFO depth is decrease by 2. In word accessing method, the four SPI bursts are returned and the RXFIFO depth is decreased by 4.</p>

17.4.2.SPI TX Data Register

Offset: 0x04			Register Name: SPI_TXDATA Default Value: 0x0000_0000
Bit	Read/Write	Default	Description
31:0	W	0	<p>TDATA Transmit Data</p>

17.4.3.SPI Control Register

Offset: 0x08			Register Name: SPI_CTL Default Value: 0x0002_001C
Bit	Read/Write	Default	Description
31:20	/	/	/
19	R/W	0	SDC



			<p>Master Sample Data Control</p> <p>Set this bit to '1' to make the internal read sample point with a delay of half cycle of SPI_CLK. It is used in high speed read operation to reduce the error caused by the time delay of SPI_CLK propagating between master and slave.</p> <p>1 – delay internal read sample point 0 – normal operation, do not delay internal read sample point</p>
18	R/W	0	<p>TP_EN</p> <p>Transmit Pause Enable</p> <p>In master mode, it is used to control transmit state machine to stop smart burst sending when RX FIFO is full.</p> <p>1 – stop transmit data when RXFIFO full 0 – normal operation, ignore RXFIFO status</p>
17	R/W	1	<p>SS_LEVEL</p> <p>When control SS signal manually (SPI_CTRL_REG.SS_CTRL==1), set this bit to '1' or '0' to control the level of SS signal.</p> <p>1 – set SS to high 0 – set SS to low</p>
16	R/W	0	<p>SS_CTRL</p> <p>SS Output Mode Select</p> <p>Usually, controller sends SS signal automatically with data together. When this bit is set to 1, software must manually write SPI_CTRL_REG.SS_LEVEL (bit [17]) to 1 or 0 to control the level of SS signal.</p> <p>1 – manual output SS 0 – automatic output SS</p>
15	R/W	0	<p>DHB</p> <p>Discard Hash Burst</p> <p>In master mode it controls whether discarding unused SPI bursts</p> <p>0: Receiving all SPI bursts in BC period 1: Discard unused SPI bursts, only fetching the SPI bursts during dummy burst period. The bursts number is specified by WTC.</p>
14	R/W	0	<p>DDB</p> <p>Dummy Burst Type</p> <p>0: The bit value of dummy SPI burst is zero 1: The bit value of dummy SPI burst is one</p>
13:12	R/W	0	<p>SS</p> <p>SPI Chip Select</p> <p>Select one of four external SPI Master/Slave Devices</p>



			<p>00: SPI_SS0 will be asserted 01: SPI_SS1 will be asserted 10: SPI_SS2 will be asserted 11: SPI_SS3 will be asserted Notes: This two bits can't be configured for SPI1 Engine.</p>
11	R/W	0	<p>RPSM Rapids mode select Select rapids operation for high speed read. 0: normal read mode 1: rapids read mode</p>
10	R/W	0	<p>XCH Exchange Burst In master mode it is used to start to SPI burst 0: Idle 1: Initiates exchange. After finishing the SPI bursts transfer specified by BC, this bit is cleared to zero by SPI Controller.</p>
9	R/W	0	<p>RF_RST RXFIFO Reset Write '1' to reset the control portion of the receiver FIFO and treats the FIFO as empty. It is 'self-clearing'. It is not necessary to clear this bit.</p>
8	R/W	0	<p>TF_RST TXFIFO Reset Write '1' to reset the control portion of the transmit FIFO and treats the FIFO as empty. It is 'self-clearing'. It is not necessary to clear this bit.</p>
7	R/W	0	<p>SSCTL In master mode, this bit selects the output wave form for the SPI_SSx signal. 0: SPI_SSx remains asserted between SPI bursts 1: Negate SPI_SSx between SPI bursts</p>
6	R/W	0	<p>LMTF LSB/ MSB Transfer First select 0: MSB first 1: LSB first</p>
5	R/W	0	<p>DMAMC SPI DMA Mode Control 0: Normal DMA mode 1: Dedicate DMA mode</p>
4	R/W	1	<p>SSPOL SPI Chip Select Signal Polarity Control 0: Active high polarity (0 = Idle) 1: Active low polarity (1 = Idle)</p>



3	R/W	1	POL SPI Clock Polarity Control 0: Active high polarity (0 = Idle) 1: Active low polarity (1 = Idle)
2	R/W	1	PHA SPI Clock/Data Phase Control 0: Phase 0 (Leading edge for sample data) 1: Phase 1 (Leading edge for setup data)
1	R/W	0	MODE SPI Function Mode Select 0: Slave Mode 1: Master Mode
0	R/W	0	EN SPI Module Enable Control 0: Disable 1: Enable

17.4.4.SPI Interrupt Control Register

Offset: 0x0C			Register Name: SPI_INTCTL Default Value: 0x0000_0000
Bit	Read/Write	Default	Description
31:18	/	/	/
17	R/W	0	SS_INT_EN SSI Interrupt Enable Chip Select Signal (SSx) from valid state to invalid state 0: Disable 1: Enable
16	R/W	0	TX_INT_EN Transfer Completed Interrupt Enable 0: Disable 1: Enable
15	/	/	/
14	R/W	0	TF_UR_INT_EN TXFIFO under run Interrupt Enable 0: Disable 1: Enable
13	R/W	0	TF_OF_INT_EN TX FIFO Overflow Interrupt Enable 0: Disable 1: Enable
12	R/W	0	TF_E34_INT_EN



			TX FIFO 3/4 Empty Interrupt Enable 0: Disable 1: Enable
11	R/W	0	TF_E14_INT_EN TX FIFO 1/4 Empty Interrupt Enable 0: Disable 1: Enable
10	R/W	0	TF_FL_INT_EN TX FIFO Full Interrupt Enable 0: Disable 1: Enable
9	R/W	0	TF_HALF_EMP_INT_EN TX FIFO Half Empty Interrupt Enable 0: Disable 1: Enable
8	R/W	0	TX_EMP_INT_EN TX FIFO Empty Interrupt Enable 0: Disable 1: Enable
7	/	/	/
6	R/W	0	RF_UR_INT_EN RXFIFO under run Interrupt Enable 0: Disable 1: Enable
5	R/W	0	RF_OF_INT_EN RX FIFO Overflow Interrupt Enable 0: Disable 1: Enable
4	R/W	0	RF_F34_INT_EN RXFIFO 3/4 Full Interrupt Enable 0: Disable 1: Enable
3	R/W	0	RF_F14_INT_EN RX FIFO 1/4 Full Interrupt Enable 0: Disable 1: Enable
2	R/W	0	RF_FU_INT_EN RX FIFO Full Interrupt Enable 0: Disable 1: Enable
1	R/W	0	RF_HALF_FU_INT_EN RX FIFO Half Full Interrupt Enable 0: Disable



			1: Enable
0	R/W	0	RF_RDY_INT_EN RX FIFO Ready Interrupt Enable 0: Disable 1: Enable

17.4.5.SPI Interrupt Status Register

Offset: 0x10			Register Name: SPI_INT_STA Default Value: 0x0000_1B00
Bit	Read/Write	Default	Description
31	R	0	INT_CBF Interrupt Clear Busy Flag 0: clear interrupt flag done 1: clear interrupt flag busy
30:24	/	/	/
23:20	/	/	/
19:18	/	/	/
17	R/W	0	SSI SS Invalid Interrupt When SSI is 1, it indicates that SS has changed from valid state to invalid state. Writing 1 to this bit clears it.
16	R/W	0	TC Transfer Completed In master mode, it indicates that all bursts specified by BC has been exchanged. In other condition, When set, this bit indicates that all the data in TXFIFO has been loaded in the Shift register, and the Shift register has shifted out all the bits. Writing 1 to this bit clears it. 0: Busy 1: Transfer Completed
15	/	/	/
14	R/W	0	TU TXFIFO under run This bit is set when if the TXFIFO is underrun. Writing 1 to this bit clears it. 0: TXFIFO is not underrun 1: TXFIFO is underrun
13	R/W	0	TO TXFIFO Overflow This bit is set when if the TXFIFO is overflow. Writing 1 to this bit clears it.



			0: TXFIFO is not overflow 1: TXFIFO is overflowed
12	R/W	1	TE34 TXFIFO 3/4 empty This bit is set if the TXFIFO is more than 3/4 empty. Writing 1 to this bit clears it.
11	R/W	1	TE14 TXFIFO 1/4 empty This bit is set if the TXFIFO is more than 1/4 empty. Writing 1 to this bit clears it.
10	R/W	0	TF TXFIFO Full This bit is set when if the TXFIFO is full . Writing 1 to this bit clears it. 0: TXFIFO is not Full 1: TXFIFO is Full
9	R/W	1	THE TXFIFO Half empty This bit is set if the TXFIFO is more than half empty. Writing 1 to this bit clears it. 0: TXFIFO holds more than half words 1: TXFIFO holds half or fewer words
8	R/W	1	TE TXFIFO Empty This bit is set if the TXFIFO is empty. Writing 1 to this bit clears it. 0: TXFIFO contains one or more words. 1: TXFIFO is empty
7	/	/	/
6	R/W	0	RU RXFIFO Underrun When set, this bit indicates that RXFIFO has underrun. Writing 1 to this bit clears it.
5	R/W	0	RO RXFIFO Overflow When set, this bit indicates that RXFIFO has overflowed. Writing 1 to this bit clears it. 0: RXFIFO is available. 1: RXFIFO has overflowed.
4	R/W	0	RF34 RXFIFO 3/4 Full This bit is set when the RXFIFO is 3/4 full . Writing 1 to this bit clears it.



			0: Not 3/4 Full 1: 3/4 Full
3	R/W	0	RF14 RXFIFO 1/4 Full This bit is set when the RXFIFO is 1/4 full . Writing 1 to this bit clears it. 0: Not 1/4 Full 1: 1/4 Full
2	R/W	0	RF RXFIFO Full This bit is set when the RXFIFO is full . Writing 1 to this bit clears it. 0: Not Full 1: Full
1	R/W	0	RHF RXFIFO Half Full. This bit is set if the RXFIFO is half full (≥ 4 words in RXFIFO) . Writing 1 to this bit clears it. 0: Less than 4 words are stored in RXFIFO. 1: Four or more words are available in RXFIFO.
0	R/W	0	RR RXFIFO Ready This bit is set any time there is one or more words stored in RXFIFO (≥ 1 words) . Writing 1 to this bit clears it. 0: No valid data in RXFIFO 1: More than 1 word in RXFIFO

17.4.6.SPI DMA Control Register

Offset: 0x14			Register Name: SPI_DMACTL Default Value: 0x0000_0000
Bit	Read/Write	Default	Description
31:13	/	/	/
12	R/W	0	TF_EMP34_DMA TXFIFO3/4 Empty DMA Request Enable 0: Disable 1: Enable
11	R/W	0	TF_EMP14_DMA TXFIFO 1/4 Empty DMA Request Enable 0: Disable 1: Enable
10	R/W	0	TF_NF_DMA TXFIFO Not Full DMA Request Enable



			When enable, if more than one free room for burst, DMA request is asserted, else de-asserted. 0: Disable 1: Enable
9	R/W	0	TF_HE_DMA TXFIFO Half Empty DMA Request Enable 0: Disable 1: Enable
8	R/W	0	TF_EMP_DMA TXFIFO Empty DMA Request Enable 0: Disable 1: Enable
7:5	/	/	/
4	R/W	0	RF_FU34_DMA RXFIFO 3/4 Full DMA Request Enable This bit enables/disables the RXFIFO 3/4 Full DMA Request. 0: Disable 1: Enable
3	R/W	0	RF_FU14_DMA RXFIFO 1/4 Full DMA Request Enable This bit enables/disables the RXFIFO 1/4 Full DMA Request. 0: Disable 1: Enable
2	R/W	0	RF_FU_DMA RXFIFO Full DMA Request Enable This bit enables/disables the RXFIFO Half Full DMA Request. 0: Disable 1: Enable
1	R/W	0	RF_HF_DMA RXFIFO Half Full DMA Request Enable This bit enables/disables the RXFIFO Half Full DMA Request. 0: Disable 1: Enable
0	R/W	0	RF_RDY_DMA RXFIFO Ready Request Enable This bit enables/disables the RXFIFO Ready DMA Request when one or more than one words in RXFIFO 0: Disable 1: Enable



17.4.7.SPI Wait Clock Register

Offset: 0x18			Register Name: SPI_WAIT Default Value: 0x0000_0000
Bit	Read/Write	Default	Description
31:16	/	/	/
15:0	R/W	0	<p>WCC Wait Clock Counter (In Master mode) These bits control the number of wait states to be inserted in data transfers. The SPI module counts SPI_SCLK by WCC for delaying next word data transfer. 0: No wait states inserted N: N SPI_SCLK wait states inserted</p>

17.4.8.SPI Clock Control Register

Offset: 0x1C			Register Name: SPI_CCTL Default Value: 0x0000_0002
Bit	Read/Write	Default	Description
31:13	/	/	/
12	R/W	0	<p>DRS Divide Rate Select (Master Mode Only) 0: Select Clock Divide Rate 1 1: Select Clock Divide Rate 2</p>
11:8	R/W	0	<p>CDR1 Clock Divide Rate 1 (Master Mode Only) This field selects the baud rate of the SPI_SCLK based on a division of the AHB_CLK. These bits allow SPI to synchronize with different external SPI devices. The max frequency is one quarter of AHB_CLK. The divide ratio is determined according to the following table using the equation: $2^{(n+1)}$. The SPI_SCLK is determined according to the following equation: $SPI_CLK = AHB_CLK / 2^{(n+1)}$.</p>
7:0	R/W	0x2	<p>CDR2 Clock Divide Rate 2 (Master Mode Only) The SPI_SCLK is determined according to the following equation: $SPI_CLK = AHB_CLK / (2^{*(n + 1)})$.</p>



17.4.9. SPI Burst Counter Register

Offset: 0x20			Register Name: SPI_BC Default Value: 0x0000_0000
Bit	Read/Write	Default	Description
31:24	/	/	/
23:0	R/W	0	BC Burst Counter In master mode, this field specifies the total burst number when SMC is 1. 0: 0 burst 1: 1 burst ... N: N bursts

17.4.10. SPI Transmit Counter Register

Offset: 0x24			Register Name: SPI_TC Default Value: 0x0000_0000
Bit	Read/Write	Default	Description
31:24	/	/	/
23:0	R/W	0	WTC Write Transmit Counter In master mode, this field specifies the burst number that should be sent to TXFIFO before automatically sending dummy burst when SMC is 1. For saving bus bandwidth, the dummy burst (all zero bits or all one bits) is sent by SPI Controller automatically. 0: 0 burst 1: 1 burst ... N: N bursts

17.4.11. SPI FIFO Status Register

Offset: 0x28			Register Name: SPI_FIFO_STA Default Value: 0x0000_0000
Bit	Read/Write	Default	Description
31:25	/	/	/
22:16	R	0x0	TF_CNT TXFIFO Counter



			These bits indicate the number of words in TXFIFO 0: 0 byte in TXFIFO 1: 1 byte in TXFIFO 63: 63 bytes in TXFIFO 64: 64 bytes in TXFIFO
15:7	/	/	/
6:0	R	0x0	RF_CNT RXFIFO Counter These bits indicate the number of words in RXFIFO 0: 0 byte in RXFIFO 1: 1 byte in RXFIFO 63: 63 bytes in RXFIFO 64: 64 bytes in RXFIFO

17.4.12. SPI Special Requirement

17.4.13. SPI Pin List

The direction of SPI pin is different in two work modes: Master Mode and Slave Mode.

Port Name	Width	Direction(M)	Direction(S)	Description
SPI_SCLK	1	OUT	IN	SPI Clock
SPI_MOSI	1	OUT	IN	SPI Master Output Slave Input Data Signal
SPI_MISO	1	IN	OUT	SPI Master Input Slave Output Data Signal
SPI_SS[3:0]	4	OUT	IN	SPI Chip Select Signal

Notes: SPI0 module has four chip select signals and SPI1 module has only one chip select signal for pin saving.

17.4.14. SPI Module Clock Source and Frequency

The SPI module uses two clock source: AHB_CLK and SPI_CLK. The SPI_SCLK can in the range from 3Khz to 100 MHZ and AHB_CLK \geq 2xSPI_SCLK.

Clock Name	Description	Requirement
AHB_CLK	AHB bus clock, as the clock source of SPI module	AHB_CLK \geq 2xSPI_SCLK
SPI_CLK	SPI serial input clock	



FOR WITTS ONLY



18. UART Interface

18.1. Overview

The UART is used for serial communication with a peripheral, modem (data carrier equipment, DCE) or data set. Data is written from a master (CPU) over the APB bus to the UART and it is converted to serial form and transmitted to the destination device. Serial data is also received by the UART and stored for the master (CPU) to read back.

The UART contains registers to control the character length, baud rate, parity generation/checking, and interrupt generation. Although there is only one interrupt output signal from the UART, there are several prioritized interrupt types that can be responsible for its assertion. Each of the interrupt types can be separately enabled/disabled with the control registers.

The UART has 16450 and 16550 modes of operation, which are compatible with a range of standard software drivers. In 16550 mode, transmit and receive operations are both buffered by FIFOs. In 16450 mode, these FIFOs are disabled.

The UART supports word lengths from five to eight bits, an optional parity bit and 1, 1 ½ or 2 stop bits, and is fully programmable by an AMBA APB CPU interface. A 16-bit programmable baud rate generator and an 8-bit scratch register are included, together with separate transmit and receive FIFOs. Eight modem control lines and a diagnostic loop-back mode are provided. Interrupts can be generated for a range of TX Buffer/FIFO, RX Buffer/FIFO, Modem Status and Line Status conditions.

For integration in systems where Infrared SIR serial data format is required, the UART can be configured to have a software-programmable IrDA SIR Mode. If this mode is not selected, only the UART (RS232 standard) serial data format is available.

The UART includes the following features:

- Compatible with industry-standard 16550 UARTs
- 64-Bytes Transmit and receive data FIFOs
- DMA controller interface
- Software/ Hardware Flow Control
- Programmable Transmit Holding Register Empty interrupt
- Support IrDa 1.0 SIR
- Interrupt support for FIFOs, Status Change

18.2. UART Timing Diagram

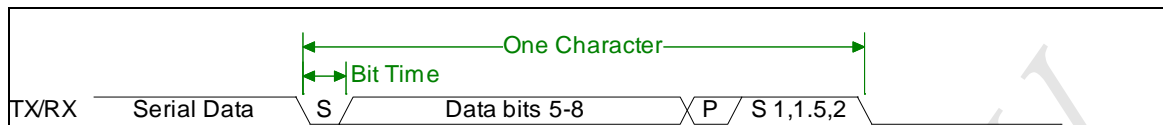


Figure 18-1 UART Serial Data Format

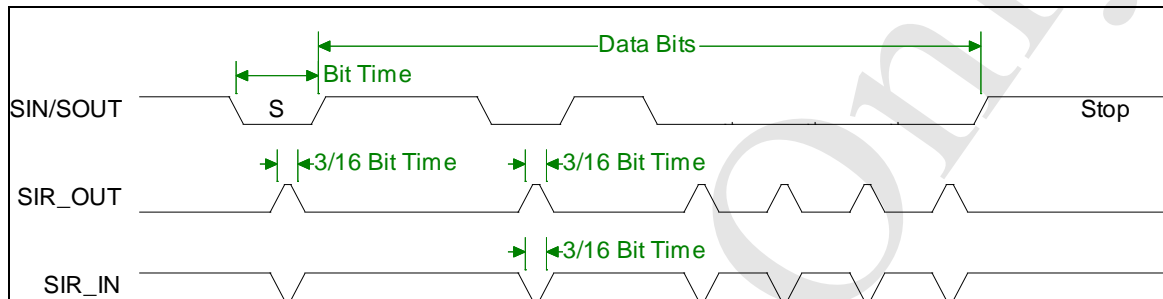


Figure 18-2 Serial IrDA Data Format

18.3. UART Register List

There are 8 UART controllers. UART1 has full modem control signals, including RTS, CTS, DTR, DSR, DCD and RING signal. UART2/3 has two data flow control signals, including RTS and CTS. Other UART controller has only two data signals, including DIN and DOUT. All UART controllers can be configured as Serial IrDA.

Module Name	Base Address	
UART0	0x01C28000	
UART1	0x01C28400	
UART2	0x01C28800	
UART3	0x01C28C00	
UART4	0x01C29000	
UART5	0x01C29400	
UART6	0x01C29800	
UART7	0x01C29C00	

Register Name	Offset	Description
UART_RBR	0x00	UART Receive Buffer Register
UART_THR	0x00	UART Transmit Holding Register
UART_DLL	0x00	UART Divisor Latch Low Register
UART_DLH	0x04	UART Divisor Latch High Register
UART_IER	0x04	UART Interrupt Enable Register
UART_IIR	0x08	UART Interrupt Identity Register



UART_FCR	0x08	UART FIFO Control Register
UART_LCR	0x0C	UART Line Control Register
UART_MCR	0x10	UART Modem Control Register
UART_LSR	0x14	UART Line Status Register
UART_MSR	0x18	UART Modem Status Register
UART_SCH	0x1C	UART Scratch Register
UART_USR	0x7C	UART Status Register
UART_TFL	0x80	UART Transmit FIFO Level
UART_RFL	0x84	UART_RFL
UART_HALT	0xA4	UART Halt TX Register

18.4. UART Register Description

18.4.1. UART Receiver Buffer Register

Offset: 0x00			Register Name: UART_RBR Default Value: 0x0000_0000
Bit	Read/Write	Default	Description
31:8	/	/	/
7:0	R	0	<p>RBR Receiver Buffer Register Data byte received on the serial input port (sin) in UART mode, or the serial infrared input (sir_in) in infrared mode. The data in this register is valid only if the Data Ready (DR) bit in the Line Status Register (LSR) is set.</p> <p>If in FIFO mode and FIFOs are enabled (FCR[0] set to one), this register accesses the head of the receive FIFO. If the receive FIFO is full and this register is not read before the next data character arrives, then the data already in the FIFO is preserved, but any incoming data are lost and an overrun error occurs.</p>

18.4.2. UART Transmit Holding Register

Offset: 0x00			Register Name: UART_THR Default Value: 0x0000_0000
Bit	Read/Write	Default	Description
31:8	/	/	/



7:0	W	0	<p>THR Transmit Holding Register</p> <p>Data to be transmitted on the serial output port (sout) in UART mode or the serial infrared output (sir_out_n) in infrared mode. Data should only be written to the THR when the THR Empty (THRE) bit (LSR[5]) is set.</p> <p>If in FIFO mode and FIFOs are enabled (FCR[0] = 1) and THRE is set, 16 number of characters of data may be written to the THR before the FIFO is full. Any attempt to write data when the FIFO is full results in the write data being lost.</p>
-----	---	---	---

18.4.3. UART Divisor Latch Low Register

Offset: 0x00			Register Name: UART_DLL Default Value: 0x0000_0000
Bit	Read/Write	Default	Description
31:8	/	/	/
7:0	R/W	0	<p>DLL Divisor Latch Low</p> <p>Lower 8 bits of a 16-bit, read/write, Divisor Latch register that contains the baud rate divisor for the UART. This register may only be accessed when the DLAB bit (LCR[7]) is set and the UART is not busy (USR[0] is zero).</p> <p>The output baud rate is equal to the serial clock (sclk) frequency divided by sixteen times the value of the baud rate divisor, as follows: baud rate = (serial clock freq) / (16 * divisor).</p> <p>Note that with the Divisor Latch Registers (DLL and DLH) set to zero, the baud clock is disabled and no serial communications occur. Also, once the DLL is set, at least 8 clock cycles of the slowest UART clock should be allowed to pass before transmitting or receiving data.</p>

18.4.4. UART Divisor Latch High Register

Offset: 0x04			Register Name: UART_DLH Default Value: 0x0000_0000
Bit	Read/Write	Default	Description



31:8	/	/	/
7:0	R/W	0	<p>DLH Divisor Latch High</p> <p>Upper 8 bits of a 16-bit, read/write, Divisor Latch register that contains the baud rate divisor for the UART. This register may only be accessed when the DLAB bit (LCR[7]) is set and the UART is not busy (USR[0] is zero).</p> <p>The output baud rate is equal to the serial clock (sclk) frequency divided by sixteen times the value of the baud rate divisor, as follows: baud rate = (serial clock freq) / (16 * divisor).</p> <p>Note that with the Divisor Latch Registers (DLL and DLH) set to zero, the baud clock is disabled and no serial communications occur. Also, once the DLH is set, at least 8 clock cycles of the slowest UART clock should be allowed to pass before transmitting or receiving data.</p>

18.4.5. UART Interrupt Enable Register

Offset: 0x04			Register Name: UART_IER Default Value: 0x0000_0000
Bit	Read/Write	Default	Description
31:8	/	/	/
7	R/W		<p>PTIME Programmable THRE Interrupt Mode Enable</p> <p>This is used to enable/disable the generation of THRE Interrupt.</p> <p>0: Disable 1: Enable</p>
6:4	/	/	/
3	R/W	0	<p>EDSSI Enable Modem Status Interrupt</p> <p>This is used to enable/disable the generation of Modem Status Interrupt. This is the fourth highest priority interrupt.</p> <p>0: Disable 1: Enable</p>
2	R/W	0	<p>ELSI Enable Receiver Line Status Interrupt</p>



			This is used to enable/disable the generation of Receiver Line Status Interrupt. This is the highest priority interrupt. 0: Disable 1: Enable
1	R/W	0	ETBEI Enable Transmit Holding Register Empty Interrupt This is used to enable/disable the generation of Transmitter Holding Register Empty Interrupt. This is the third highest priority interrupt. 0: Disable 1: Enable
0	R/W	0	ERBFI Enable Received Data Available Interrupt This is used to enable/disable the generation of Received Data Available Interrupt and the Character Timeout Interrupt (if in FIFO mode and FIFOs enabled). These are the second highest priority interrupts. 0: Disable 1: Enable

18.4.6. UART Interrupt Identity Register

Offset: 0x08			Register Name: UART_IIR Default Value: 0x0000_0000
Bit	Read/Write	Default	Description
31:8	/	/	/
7:6	R	0	FEFLAG FIFOs Enable Flag This is used to indicate whether the FIFOs are enabled or disabled. 00: Disable 11: Enable
5:4	/	/	/
3:0	R	0x1	IID Interrupt ID This indicates the highest priority pending interrupt which can be one of the following types: 0000: modem status 0001: no interrupt pending 0010: THR empty



			<p>0100: received data available</p> <p>0110: receiver line status</p> <p>0111: busy detect</p> <p>1100: character timeout</p> <p>Bit 3 indicates an interrupt can only occur when the FIFOs are enabled and used to distinguish a Character Timeout condition interrupt.</p>
--	--	--	---

Interrupt ID	Priority Level	Interrupt Type	Interrupt Source	Interrupt Reset
0001	-	None	None	-
0110	Highest	Receiver line status	Overrun/parity/ framing errors or break interrupt	Reading the line status register
0100	Second	Received data available	Receiver data available (non-FIFO mode or FIFOs disabled) or RCVR FIFO trigger level reached (FIFO mode and FIFOs enabled)	Reading the receiver buffer register (non-FIFO mode or FIFOs disabled) or the FIFO drops below the trigger level (FIFO mode and FIFOs enabled)
1100	Second	Character timeout indication	No characters in or out of the RCVR FIFO during the last 4 character times and there is at least 1 character in it during This time	Reading the receiver buffer register
0010	Third	Transmit holding register empty	Transmitter holding register empty (Program THRE Mode disabled) or XMIT FIFO at or below threshold (Program THRE Mode enabled)	Reading the IIR register (if source of interrupt); or, writing into THR (FIFOs or THRE Mode not selected or disabled) or XMIT FIFO above threshold (FIFOs and THRE Mode selected and enabled).
0000	Fourth	Modem status	Clear to send or data set ready or ring indicator or data carrier detect. Note that if auto flow	Reading the Modem status Register



			control mode is enabled, a change in CTS (that is, DCTS set) does not cause an interrupt.	
0111	Fifth	Busy detect indication	UART_16550_COMPATIBLE = NO and master has tried to write to the Line Control Register while the UART is busy (USR[0] is set to one).	Reading the UART status register

18.4.7. UART FIFO Control Register

Offset: 0x08			Register Name: UART_FCR Default Value: 0x0000_0000
Bit	Read/Write	Default	Description
31:8	/	/	/
7:6	W	0	<p>RT RCVR Trigger</p> <p>This is used to select the trigger level in the receiver FIFO at which the Received Data Available Interrupt is generated. In auto flow control mode it is used to determine when the rts_n signal is de-asserted. It also determines when the dma_rx_req_n signal is asserted in certain modes of operation.</p> <p>00: 1 character in the FIFO 01: FIFO ¼ full 10: FIFO ½ full 11: FIFO-2 less than full</p>
5:4	W	0	<p>TFT TX Empty Trigger</p> <p>Writes have no effect when THRE_MODE_USER = Disabled. This is used to select the empty threshold level at which the THRE Interrupts are generated when the mode is active. It also determines when the dma_tx_req_n signal is asserted when in certain modes of operation.</p> <p>00: FIFO empty 01: 2 characters in the FIFO 10: FIFO ¼ full 11: FIFO ½ full</p>
3	W	0	<p>DMAM DMA Mode</p> <p>0: Mode 0</p>



			1: Mode 1
2	W	0	<p>XFIFOR XMIT FIFO Reset</p> <p>This resets the control portion of the transmit FIFO and treats the FIFO as empty. This also de-asserts the DMA TX request.</p> <p>It is 'self-clearing'. It is not necessary to clear this bit.</p>
1	W	0	<p>RFIFOR RCVR FIFO Reset</p> <p>This resets the control portion of the receive FIFO and treats the FIFO as empty. This also de-asserts the DMA RX request.</p> <p>It is 'self-clearing'. It is not necessary to clear this bit.</p>
0	W	0	<p>FIFOE Enable FIFOs</p> <p>This enables/disables the transmit (XMIT) and receive (RCVR) FIFOs. Whenever the value of this bit is changed both the XMIT and RCVR controller portion of FIFOs is reset.</p>

18.4.8. UART Line Control Register

Offset: 0x0C			Register Name: UART_LCR Default Value: 0x0000_0000
Bit	Read/Write	Default	Description
31:8	/	/	/
7	R/W	0	<p>DLAB Divisor Latch Access Bit</p> <p>It is writeable only when UART is not busy (USR[0] is zero) and always readable. This bit is used to enable reading and writing of the Divisor Latch register (DLL and DLH) to set the baud rate of the UART. This bit must be cleared after initial baud rate setup in order to access other registers.</p> <p>0: Select RX Buffer Register (RBR) / TX Holding Register(THR) and Interrupt Enable Register (IER) 1: Select Divisor Latch LS Register (DLL) and Divisor Latch MS Register (DLM)</p>
6	R/W	0	<p>BC Break Control Bit</p> <p>This is used to cause a break condition to be transmitted to the receiving device. If set to one the</p>



			serial output is forced to the spacing (logic 0) state. When not in Loopback Mode, as determined by MCR[4], the sout line is forced low until the Break bit is cleared. If SIR_MODE = Enabled and active (MCR[6] set to one) the sir_out_n line is continuously pulsed. When in Loopback Mode, the break condition is internally looped back to the receiver and the sir_out_n line is forced low.
5	/	/	/
4	R/W	0	<p>EPS Even Parity Select</p> <p>It is writeable only when UART is not busy (USR[0] is zero) and always writable readable. This is used to select between even and odd parity, when parity is enabled (PEN set to one).</p> <p>0: Odd Parity 1: Even Parity</p>
3	R/W	0	<p>PEN Parity Enable</p> <p>It is writeable only when UART is not busy (USR[0] is zero) and always readable. This bit is used to enable and disable parity generation and detection in transmitted and received serial character respectively.</p> <p>0: parity disabled 1: parity enabled</p>
2	R/W	0	<p>STOP Number of stop bits</p> <p>It is writeable only when UART is not busy (USR[0] is zero) and always readable. This is used to select the number of stop bits per character that the peripheral transmits and receives. If set to zero, one stop bit is transmitted in the serial data. If set to one and the data bits are set to 5 (LCR[1:0] set to zero) one and a half stop bits is transmitted. Otherwise, two stop bits are transmitted. Note that regardless of the number of stop bits selected, the receiver checks only the first stop bit.</p> <p>0: 1 stop bit 1: 1.5 stop bits when DLS (LCR[1:0]) is zero, else 2 stop bit</p>
1:0	R/W	0	<p>DLS Data Length Select</p> <p>It is writeable only when UART is not busy (USR[0]</p>



			<p>is zero) and always readable. This is used to select the number of data bits per character that the peripheral transmits and receives. The number of bit that may be selected areas follows:</p> <p>00: 5 bits 01: 6 bits 10: 7 bits 11: 8 bits</p>
--	--	--	--

18.4.9. UART Modem Control Register

Offset: 0x10			Register Name: UART_MCR Default Value: 0x0000_0000
Bit	Read/Write	Default	Description
31:7	/	/	/
6	R/W	0	<p>SIRE SIR Mode Enable 0: IrDA SIR Mode disabled 1: IrDA SIR Mode enabled</p>
5	R/W	0	<p>AFCE Auto Flow Control Enable When FIFOs are enabled and the Auto Flow Control Enable (AFCE) bit is set, Auto Flow Control features are enabled. 0: Auto Flow Control Mode disabled 1: Auto Flow Control Mode enabled</p>
4	R/W	0	<p>LOOP Loop Back Mode 0: Normal Mode 1: Loop Back Mode This is used to put the UART into a diagnostic mode for test purposes. If operating in UART mode (SIR_MODE != Enabled or not active, MCR[6] set to zero), data on the sout line is held high, while serial data output is looped back to the sin line, internally. In this mode all the interrupts are fully functional. Also, in loopback mode, the modem control inputs (dsr_n, cts_n, ri_n, dcd_n) are disconnected and the modem control outputs (dtr_n, rts_n, out1_n, out2_n) are looped back to the inputs, internally. If operating in infrared mode (SIR_MODE == Enabled AND active, MCR[6] set to one), data on the sir_out_n line is held low, while serial data output is inverted and</p>



			looped back to the sir_in line.
3	/	/	/
2	/	/	/
1	R/W	0	<p>RTS Request to Send</p> <p>This is used to directly control the Request to Send (rts_n) output. The Request To Send (rts_n) output is used to inform the modem or data set that the UART is ready to exchange data. When Auto RTS Flow Control is not enabled (MCR[5] set to zero), the rts_n signal is set low by programming MCR[1] (RTS) to a high. In Auto Flow Control, AFCE_MODE == Enabled and active (MCR[5] set to one) and FIFOs enable (FCR[0] set to one), the rts_n output is controlled in the same way, but is also gated with the receiver FIFO threshold trigger (rts_n is inactive high when above the threshold). The rts_n signal is de-asserted when MCR[1] is set low.</p> <p>0: rts_n de-asserted (logic 1) 1: rts_n asserted (logic 0)</p> <p>Note that in Loopback mode (MCR[4] set to one), the rts_n output is held inactive high while the value of this location is internally looped back to an input.</p>
0	R/W	0	<p>DTR Data Terminal Ready</p> <p>This is used to directly control the Data Terminal Ready (dtr_n) output. The value written to this location is inverted and driven out on dtr_n.</p> <p>0: dtr_n de-asserted (logic 1) 1: dtr_n asserted (logic 0)</p> <p>The Data Terminal Ready output is used to inform the modem or data set that the UART is ready to establish communications.</p> <p>Note that in Loopback mode (MCR[4] set to one), the dtr_n output is held inactive high while the value of this location is internally looped back to an input.</p>

18.4.10. UART Line Status Register

Offset: 0x14	Register Name: UART_LSR Default Value: 0x0000_0060
---------------------	---



Bit	Read/Write	Default	Description
31:8	/	/	/
7	R	0	FIFOERR RX Data Error in FIFO When FIFOs are disabled, this bit is always 0. When FIFOs are enabled, this bit is set to 1 when there is at least one PE, FE, or BI in the RX FIFO. It is cleared by a read from the LSR register provided there are no subsequent errors in the FIFO.
6	R	1	TEMT Transmitter Empty If the FIFOs are disabled, this bit is set to "1" whenever the TX Holding Register and the TX Shift Register are empty. If the FIFOs are enabled, this bit is set whenever the TX FIFO and the TX Shift Register are empty. In both cases, this bit is cleared when a byte is written to the TX data channel.
5	R	1	THRE TX Holding Register Empty If the FIFOs are disabled, this bit is set to "1" whenever the TX Holding Register is empty and ready to accept new data and it is cleared when the CPU writes to the TX Holding Register. If the FIFOs are enabled, this bit is set to "1" whenever the TX FIFO is empty and it is cleared when at least one byte is written to the TX FIFO.
4	R	0	BI Break Interrupt This is used to indicate the detection of a break sequence on the serial input data. If in UART mode (SIR_MODE == Disabled), it is set whenever the serial input, sin, is held in a logic '0' state for longer than the sum of start time + data bits + parity + stop bits. If in infrared mode (SIR_MODE == Enabled), it is set whenever the serial input, sir_in, is continuously pulsed to logic '0' for longer than the sum of start time + data bits + parity + stop bits. A break condition on serial input causes one and only one character, consisting of all zeros, to be received by the UART. In the FIFO mode, the character associated with the break condition is carried through the FIFO and is revealed when the character is at the top of the FIFO.



			Reading the LSR clears the BI bit. In the non-FIFO mode, the BI indication occurs immediately and persists until the LSR is read.
3	R	0	<p>FE Framing Error</p> <p>This is used to indicate the occurrence of a framing error in the receiver. A framing error occurs when the receiver does not detect a valid STOP bit in the received data.</p> <p>In the FIFO mode, since the framing error is associated with a character received, it is revealed when the character with the framing error is at the top of the FIFO. When a framing error occurs, the UART tries to resynchronize. It does this by assuming that the error was due to the start bit of the next character and then continues receiving the other bit i.e. data, and/or parity and stop. It should be noted that the Framing Error (FE) bit (LSR[3]) is set if a break interrupt has occurred, as indicated by Break Interrupt (BI) bit (LSR[4]).</p> <p>0: no framing error 1: framing error</p> <p>Reading the LSR clears the FE bit.</p>
2	R	0	<p>PE Parity Error</p> <p>This is used to indicate the occurrence of a parity error in the receiver if the Parity Enable (PEN) bit (LCR[3]) is set. In the FIFO mode, since the parity error is associated with a character received, it is revealed when the character with the parity error arrives at the top of the FIFO. It should be noted that the Parity Error (PE) bit (LSR[2]) is set if a break interrupt has occurred, as indicated by Break Interrupt (BI) bit (LSR[4]).</p> <p>0: no parity error 1: parity error</p> <p>Reading the LSR clears the PE bit.</p>
1	R	0	<p>OE Overrun Error</p> <p>This occurs if a new data character was received before the previous data was read. In the non-FIFO mode, the OE bit is set when a new character arrives</p>



			<p>in the receiver before the previous character was read from the RBR. When this happens, the data in the RBR is overwritten. In the FIFO mode, an overrun error occurs when the FIFO is full and a new character arrives at the receiver. The data in the FIFO is retained and the data in the receive shift register is lost.</p> <p>0: no overrun error 1: overrun error</p> <p>Reading the LSR clears the OE bit.</p>
0	R	0	<p>DR Data Ready</p> <p>This is used to indicate that the receiver contains at least one character in the RBR or the receiver FIFO.</p> <p>0: no data ready 1: data ready</p> <p>This bit is cleared when the RBR is read in non-FIFO mode, or when the receiver FIFO is empty, in FIFO mode.</p>

18.4.11. UART Modem Status Register

Offset: 0x18			Register Name: UART_MSR Default Value: 0x0000_0000
Bit	Read/Write	Default	Description
31:8	/	/	/
7	R	0	<p>DCD Line State of Data Carrier Detect</p> <p>This is used to indicate the current state of the modem control line dcd_n. This bit is the complement of dcd_n. When the Data Carrier Detect input (dcd_n) is asserted it is an indication that the carrier has been detected by the modem or data set.</p> <p>0: dcd_n input is de-asserted (logic 1) 1: dcd_n input is asserted (logic 0)</p>
6	R	0	<p>RI Line State of Ring Indicator</p> <p>This is used to indicate the current state of the modem control line ri_n. This bit is the complement of ri_n. When the Ring Indicator input (ri_n) is asserted it is an indication that a telephone ringing signal has been received by the modem or data set.</p>



			<p>0: ri_n input is de-asserted (logic 1) 1: ri_n input is asserted (logic 0)</p>
5	R	0	<p>DSR Line State of Data Set Ready This is used to indicate the current state of the modem control line dsr_n. This bit is the complement of dsr_n. When the Data Set Ready input (dsr_n) is asserted it is an indication that the modem or data set is ready to establish communications with UART. 0: dsr_n input is de-asserted (logic 1) 1: dsr_n input is asserted (logic 0) In Loopback Mode (MCR[4] set to one), DSR is the same as MCR[0] (DTR).</p>
4	R	0	<p>CTS Line State of Clear To Send This is used to indicate the current state of the modem control line cts_n. This bit is the complement of cts_n. When the Clear to Send input (cts_n) is asserted it is an indication that the modem or data set is ready to exchange data with UART. 0: cts_n input is de-asserted (logic 1) 1: cts_n input is asserted (logic 0) In Loopback Mode (MCR[4] = 1), CTS is the same as MCR[1] (RTS).</p>
3	R	0	<p>DDCD Delta Data Carrier Detect This is used to indicate that the modem control line dcd_n has changed since the last time the MSR was read. 0: no change on dcd_n since last read of MSR 1: change on dcd_n since last read of MSR Reading the MSR clears the DDCCD bit. Note: If the DDCCD bit is not set and the dcd_n signal is asserted (low) and a reset occurs (software or otherwise), then the DDCCD bit is set when the reset is removed if the dcd_n signal remains asserted.</p>
2	R	0	<p>TERI Trailing Edge Ring Indicator This is used to indicate that a change on the input ri_n (from an active-low to an inactive-high state) has occurred since the last time the MSR was read. 0: no change on ri_n since last read of MSR</p>



			1: change on ri_n since last read of MSR Reading the MSR clears the TERI bit.
1	R	0	<p>DDSR Delta Data Set Ready</p> <p>This is used to indicate that the modem control line dsr_n has changed since the last time the MSR was read.</p> <p>0: no change on dsr_n since last read of MSR 1: change on dsr_n since last read of MSR</p> <p>Reading the MSR clears the DDSR bit. In Loopback Mode (MCR[4] = 1), DDSR reflects changes on MCR[0] (DTR).</p> <p>Note: If the DDSR bit is not set and the dsr_n signal is asserted (low) and a reset occurs (software or otherwise), then the DDSR bit is set when the reset is removed if the dsr_n signal remains asserted.</p>
0	R	0	<p>DCTS Delta Clear to Send</p> <p>This is used to indicate that the modem control line cts_n has changed since the last time the MSR was read.</p> <p>0: no change on ctsdsr_n since last read of MSR 1: change on ctsdsr_n since last read of MSR</p> <p>Reading the MSR clears the DCTS bit. In Loopback Mode (MCR[4] = 1), DCTS reflects changes on MCR[1] (RTS).</p> <p>Note: If the DCTS bit is not set and the cts_n signal is asserted (low) and a reset occurs (software or otherwise), then the DCTS bit is set when the reset is removed if the cts_n signal remains asserted.</p>

18.4.12. UART Scratch Register

Offset: 0x1C			Register Name: UART_SCH
			Default Value: 0x0000_0000
Bit	Read/Write	Default	Description
31:8	/	/	/
7:0	R/W	0	<p>SCRATCH_REG Scratch Register</p> <p>This register is for programmers to use as a temporary storage space. It has no defined purpose in the UART.</p>

**18.4.13. UART Status Register**

Offset: 0x7C			Register Name: UART_USR Default Value: 0x0000_0006
Bit	Read/Write	Default	Description
31:5	/	/	/
4	R	0	RFF Receive FIFO Full This is used to indicate that the receive FIFO is completely full. 0: Receive FIFO not full 1: Receive FIFO Full This bit is cleared when the RX FIFO is no longer full.
3	R	0	RFNE Receive FIFO Not Empty This is used to indicate that the receive FIFO contains one or more entries. 0: Receive FIFO is empty 1: Receive FIFO is not empty This bit is cleared when the RX FIFO is empty.
2	R	1	TFE Transmit FIFO Empty This is used to indicate that the transmit FIFO is completely empty. 0: Transmit FIFO is not empty 1: Transmit FIFO is empty This bit is cleared when the TX FIFO is no longer empty.
1	R	1	TFNF Transmit FIFO Not Full This is used to indicate that the transmit FIFO is not full. 0: Transmit FIFO is full 1: Transmit FIFO is not full This bit is cleared when the TX FIFO is full.
0	R	0	BUSY UART Busy Bit 0: Idle or inactive 1: Busy

**18.4.14. UART Transmit FIFO Level Register**

Offset: 0x80			Register Name: UART_TFL Default Value: 0x0000_0000
Bit	Read/Write	Default	Description
31:7	/	/	/
6:0	R	0	TFL Transmit FIFO Level This is indicates the number of data entries in the transmit FIFO.

18.4.15. UART Receive FIFO Level Register

Offset: 0x84			Register Name: UART_RFL Default Value: 0x0000_0000
Bit	Read/Write	Default	Description
31:7	/	/	/
6:0	R	0	RFL Receive FIFO Level This is indicates the number of data entries in the receive FIFO.

18.4.16. UART Halt TX Register

Offset: 0xA4			Register Name: UART_HALT Default Value: 0x0000_0000
Bit	Read/Write	Default	Description
31:6	/	/	/
5	R/W	0	SIR_RX_INVERT SIR Receiver Pulse Polarity Invert 0: Not invert receiver signal 1: Invert receiver signal
4	R/W	0	SIR_TX_INVERT SIR Transmit Pulse Polarity Invert 0: Not invert transmit pulse 1: Invert transmit pulse
3:1	/	/	/
0	R/W	0	HALT_TX Halt TX This register is use to halt transmissions for testing, so that the transmit FIFO can be filled by the master



			<p>when FIFOs are implemented and enabled.</p> <p>0 : Halt TX disabled</p> <p>1 : Halt TX enabled</p> <p>Note: If FIFOs are not enabled, the setting of the halt TX register has no effect on operation.</p>
--	--	--	--

18.5. UART Special Requirement

18.5.1. UART Pin List

Port Name	Width	Direction	Description
UART0_TX	1	OUT	UART Serial Bit output
UART0_RX	1	IN	UART Serial Bit input
UART1_TX	1	OUT	UART Serial Bit output
UART1_RX	1	IN	UART Serial Bit input
UART1_RTS		OUT	<p>UART Request To Send</p> <p>This active low output signal informs Modem that the UART is ready to send data</p>
UART1_CTS		IN	<p>UART Clear To End</p> <p>This active low signal is an input showing when Modem is ready to accept data</p>
UART1_DTR		OUT	<p>UART Data Terminal Ready</p> <p>This active low output signal informs Modem that the UART is ready to establish a communication link</p>
UART1_DSR		IN	<p>UART Data Set Ready</p> <p>This active low signal is an input indicating when Modem is ready to set up a link with the UART0</p>
UART1_DCD		IN	<p>UART Data Carrier Detect</p> <p>This active low signal is an input indicating when Modem has detected a carrier</p>
UART1_RING		IN	<p>UART Ring Indicator</p> <p>This active low signal is an input showing when Modem has sensed a ring signal on the telephone line</p>
UART2_TX	1	OUT	UART Serial Bit output
UART2_RX	1	IN	UART Serial Bit input
UART2_RTS	1	OUT	<p>UART Request To Send</p> <p>This active low output signal informs Modem that the UART is ready to send data</p>
UART2_CTS	1	IN	<p>UART Clear To End</p> <p>This active low signal is an input showing when Modem is ready to accept data</p>



UART3_TX	1	OUT	UART Serial Bit output
UART3_RX	1	IN	UART Serial Bit input
UART3_RTS	1	OUT	UART Request To Send This active low output signal informs Modem that the UART is ready to send data
UART3_CTS	1	IN	UART Clear To End This active low signal is an input showing when Modem is ready to accept data
UART4_TX	1	OUT	UART Serial Bit output
UART4_RX	1	IN	UART Serial Bit input
UART5_TX	1	OUT	UART Serial Bit output
UART5_RX	1	IN	UART Serial Bit input
UART6_TX	1	OUT	UART Serial Bit output
UART6_RX	1	IN	UART Serial Bit input
UART7_TX	1	OUT	UART Serial Bit output
UART7_RX	1	IN	UART Serial Bit input

19. IR Interface

19.1. Overview

Infrared Interface (IR) supports CIR, MIR, and FIR modes. The IR includes the following features:

- Compliant with IrDA 1.1 for MIR and FIR
- Full physical layer implementation
- Support 0.576 Mbit/sec and 1.152 Mbit/sec Medium Infrared (MIR) physical layer protocol
- Support 4 Mbit/sec FIR physical layer protocol defined by IrDA version 1.4
- Support CIR for remote control or wireless keyboard
- Hardware CRC16 for MIR and CRC32 for FIR
- Dual 16x8-bits FIFO for data transfer
- Programmable FIFO thresholds
- Support Interrupt and DMA

The IR block diagram is shown below:

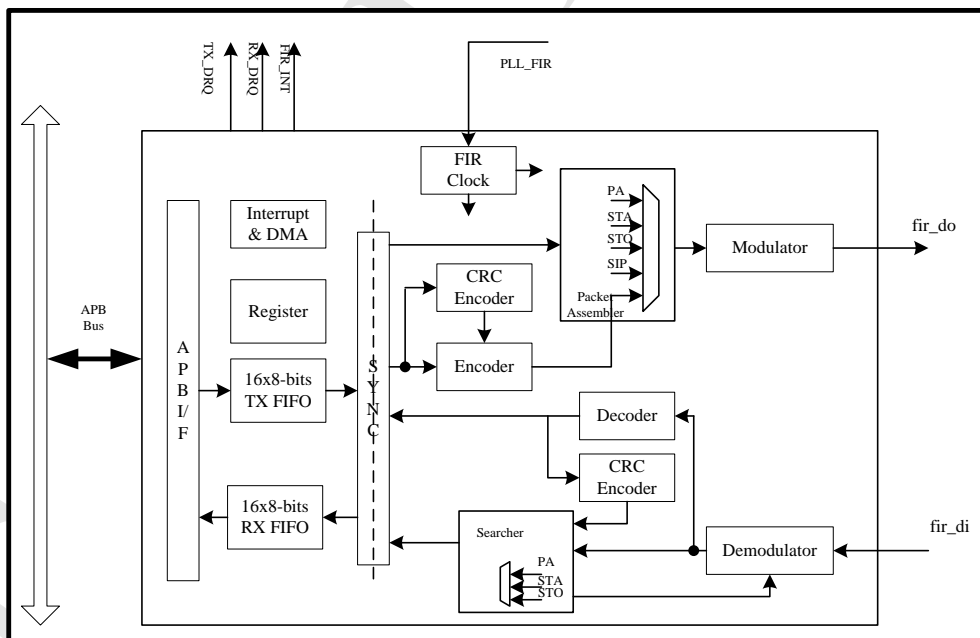


Figure 19-1 IR Block Diagram

The MIR packet consists these fields: Two beginning flags (STA), An address, Control fields, Data fields, A frame check sequence (CRC) field and A minimum of one ending flag (STO).



STA	STA	Address	Control and DATA	CRC16	STO
-----	-----	---------	------------------	-------	-----

MIR Packet Structure

The fields in MIR packet are defined as follows:

- STA, STO

The MIR use the same symbol, 8'b0111, 1110, for both STA and STO.

- 8-bits Address Field
- 8-bits Control Field plus up to 2045 bytes in the data field
- 16-bits CRC field

The address, control, data, and CRC fields are not transmitted in original form: They are first converted according to the MIR standards.

The FIR packet consists these fields: Preamble field (PA), Beginning flag (STA), Address (ADR), Control fields, Data fields, A frame check sequence (CRC) field and A minimum of one ending flag (STO).

PA	STA	Address	Control and DATA	CRC32	STO
----	-----	---------	------------------	-------	-----

FIR Packet Structure

The fields in FIR packet are defined as follow:

- PA— The preamble field is used by the receiver to establish phase lock. The preamble field consists of exactly sixteen repeated transmissions of the following stream of symbols:
b'1000,0000,1010,1000
- STA—The STA consists of exactly one transmission of the following stream of symbols:
b'0000,1100,0000,1100,0110,0000,0110,0000
- STO— The STO consists of exactly one transmission of a stream of symbols:
b'0000,1100,0000,1100,0000,0110,0000,0110
- ACD—The payload data is encoded as 4 PPM. The encoded symbols reside in the ACD field and can be up to 2048 bytes long.
- CRC32—The CRC field consists of the 4 PPM encoded data, resulting from the IEEE 802

CRC32

algorithm for cyclic redundancy check as applied to the payload data contained in the packet.

For MIR data rates, the NZR modulation scheme is used. A '0' is represented by a light pulse. The optical pulse duration is nominally 1/4 of a bit duration. The LED is off when a '1' is transmitted.

Data Bit	Data Symbol (Address, Control and Data)
0	1000
1	0000

MIR Modulation Scheme

For 4 Mbit/s FIR, the modulation scheme is 4 PPM. In this modulation, a pair of bits is one data symbol. A data symbol is divided into four chips, only one of which contains an optical pulse. The nominal pulse duration is 125 ns. A '1' is represented by a light pulse.

Data Symbol	4 PPM Data Symbol
-------------	-------------------



00	1000
01	0100
10	0010
11	0001

FIR Modulation Scheme

For 0.576Mbit/s MIR, the serial clock is 12 times of 0.576Mhz witch it is 6.912Mhz. For 1.152Mbit/s MIR, the serial clock is 12 times of 0.576Mhz witch it is 13.824Mhz. For 4Mbit/s FIR, the serial clock is 24Mhz.

Mode	Serial Clock Frequency(Mhz)
MIR(0.576M)	6.912 (12*0.576)
MIR(1.152M)	13.824 (12*1.152)
FIR(4M)	24

For saving CPU resource, CIR receiver is implemented in hardware. The CIR receiver samples the inputting signal on the programmable frequency and records these samples into RX FIFO when one CIR signal is found on the air. The CIR receiver uses Run-Length Code (RLC) to saving bandwidth. The FIFO is 8-bits width in the depth of 16 levels The MSB bit is used to record the parity of the receiving CIR signal. The high level is represented as '1' and the low level is represented as '0'. The rest 7 bits are used for the length of RLC. The maximum length is 128. If the duration of one level (high or low level) is more than 128, the another byte is used.

On the air, there are always some noise. One threshold can be set to filter these noise to reduce system loading and improve the system stability.

19.2. IR Timing Diagram

Please refer to IrDA Specification.

19.3. IR Register List

Module Name	Base Address	
IR0	0x01C21800	
IR1	0x01C21C00	

Register Name	Offset	Description
IR_CTL	0x00	IR Control Register
IR_TXCTL	0x04	IR Transmitter Configure Register
IR_TXADR	0x08	IR Transmitter Address Register
IR_TXCNT	0x0C	IR Transmitter Counter Register
IR_RXCTL	0x10	IR Receiver Configure Register
IR_RXADR	0x14	IR Receiver Address Register
IR_RXCNT	0x18	IR Receiver Counter Register
IR_TXFIFO	0x1C	IR Transmitter FIFO Register



IR_RXFIFO	0x20	IR Receiver FIFO Register
IR_TXINT	0x24	IR Transmitter Interrupt Control Register
IR_TXSTA	0x28	IR Transmitter Status Register
IR_RXINT	0x2C	IR Receiver Interrupt Control Register
IR_RXSTA	0x30	IR Receiver Status Register
IR_CIR	0x34	CIR Configure Register

19.4. IR Register Description

19.4.1. IR Control Register

Offset: 0x00			Register Name: IR_CTL Default Value: 0x0000_0000
Bit	Read/Write	Default	Description
31:9	/	/	/
8	R/W	0	CGPO General Program Output (GPO) Control in CIR mode for TX Pin 0: Low level 1: High level
7:6	/	/	/
5:4	R/W	0	MD Irda Mode 00: 0.576 Mbit/s MIR mode 01: 1.152 Mbit/s MIR mode 10: 4.0 Mbit/s FIR mode 11: CIR mode for Remote control or wireless keyboard
3	R/W	0	LOOP Loop back test 0: Normal mode 1: Loop back test When set '1', connecting the FRXD with the FTXD.
2	R/W	0	TXEN Transmitter Block Enable 0: Disable 1: Enable
1	R/W	0	RXEN Receiver Block Enable 0: Disable 1: Enable
0	R/W	0	GEN



			<p>Global Enable</p> <p>A disable on this bit overrides any other block or channel enables and flushes all FIFOs.</p> <p>0: Disable</p> <p>1: Enable</p>
--	--	--	--

19.4.2. IR Transmitter Configure Register

Offset: 0x04			Register Name: IR_TXCTL Default Value: 0x0000_0000
Bit	Read/Write	Default	Description
31:6	/	/	/
5	R/W	0	<p>PCF</p> <p>Packet Complete by FIFO</p> <p>This bit determines how a packet is completed if a TX FIFO underrun event occurs. Do not write software intentionally to cause underrun events. However, if due to erroneous conditions, the value of this bit selects between two recovery modes. Set the PCF based on system and upper layer IrDA protocol requirements.</p> <p>0: Send CRC and STO fields Send CRC16 and STO for MIR or CRC32 and STO for FIR</p> <p>1: Send packet abort symbol Send 7'b111,1111 for MIR or 8'b0000,0000 for FIR</p>
4	/	/	/
3	R/W	0	<p>SIP</p> <p>Transmit SIP</p> <p>Writing '1' to this bit produces a "Serial Infrared Interaction Pulse" transmission.</p> <p>Writing a '0' to this bit is ignored. This bit is always read as "0". If this bit is set while in the middle of the transfer, the packet will be ignored by IRDA controller. Don't Set SIP bit in the middle of transfer.</p> <p>A SIP is defined as a 1.6us optical pulse of the transmitter followed by a 7.1us off time of the transmitter. It simulates a start pulse, causing the potentially interfering system to listen for at least 500 ms.</p>
2	R/W	1	<p>TPPI</p> <p>Transmit Pulse Polarity Invert</p> <p>0: Not invert transmit pulse</p> <p>1: Invert transmit pulse</p>



1:0	/	/	/
-----	---	---	---

19.4.3. IR Transmitter Address Register

Offset: 0x08			Register Name: IR_TXADR Default Value: 0x0000_0000
Bit	Read/Write	Default	Description
31:9	/	/	/
8	R/W	0	<p>HAG Hardware Address Generator. When this bit is set, the content of the TPA bits is transmitted as a packet address. When the bit is cleared, the packet address is read from TX FIFO.</p> <p>0: Read packet address from TX FIFO 1: Use TPA bits as packet address</p>
7:0	R/W	0	<p>TPA Transmit Packet Address</p> <p>This field contains the 8-bit Transmit Packet Address. If the HAG bit is cleared, the TPA bits have no effect.</p>

19.4.4. IR Transmitter Counter Register

Offset: 0x0C			Register Name: IR_TXCNT Default Value: 0x0000_0000
Bit	Read/Write	Default	Description
31:11	/	/	/
10:0	R/W	0	<p>TPL Transmit Packet Length</p> <p>This field contains the length of the address, control and data.</p> <p>The length are (N+1) bytes.</p> <p>11'd0: 1 bytes 11'd1: 2 bytes 11'd2: 3 bytes ... 11'd2046: 2047 bytes 11'd2047: 2048 bytes</p>



19.4.5. IR Receiver Configure Register

Offset: 0x10			Register Name: IR_RXCTL Default Value: 0x0000_0000
Bit	Read/Write	Default	Description
31:4	/	/	/
3	R/W	0	<p>RPA Receiver Packet Abort bit. Determines behavior of the RX FIFO upon detection of an illegal symbol. When an illegal symbol is detected, the DDE or CRCE bit in the receiver status register is set. If the RPA bit is set, the RX FIFO pointers are cleared and the receiver starts to search for the PA or STA fields for FIR and MIR mode, respectively. If RPA is cleared, the receiver continues to write to the RX FIFO.</p> <p>0: Does not clear the RX FIFO upon detection of an illegal symbol 1: Clears the RX FIFO upon detection of illegal symbol</p>
2	R/W	1	<p>RPPI Receiver Pulse Polarity Invert 0: Not invert receiver signal 1: Invert receiver signal</p>
1:0	/	/	/

19.4.6. IR Receiver Address Register

Offset: 0x14			Register Name: IR_RXADR Default Value: 0x0000_0000
Bit	Read/Write	Default	Description
31:9	/	/	/
8	R/W	0	<p>RAM Receiver Address Match 0: Does not need match address (RA). When a new packet is received, the address, control and data fields are filled into RX FIFO. 1: Should match packet address to RA bits when a new packet is received. If address matched, the control and data fields are filled into RX FIFO excluding the address field. The value of this bit can be changed when the RXEN bit is cleared.</p>



7:0	R/W	0	RA Receiver Address The value of this bit can be changed when the RXEN bit is cleared.
-----	-----	---	--

19.4.7. IR Receiver Counter Register

Offset: 0x18			Register Name: IR_RXCNT Default Value: 0x0000_0000
Bit	Read/Write	Default	Description
31:12	/	/	/
11:0	R	0	RPL Receiver Packet Length This field contains the length of the address, control and data. The length are (N+1) bytes. 0: no bytes received N: N bytes received It can automatically clear by Irda Controller when new packet is found.

19.4.8. IR Transmitter FIFO Register

Offset: 0x1C			Register Name: IR_TXFIFO Default Value: 0x0000_0000
Bit	Read/Write	Default	Description
31:8	/	/	/
7:0	W	0	TX_DATA Transmitter Byte FIFO

19.4.9. IR Receiver FIFO Register

Offset: 0x20			Register Name: IR_RXFIFO Default Value: 0x0000_0000
Bit	Read/Write	Default	Description
31:8	/	/	/
7:0	R	0	RX_DATA Receiver Byte FIFO

**19.4.10. IR Transmitter Interrupt Control Register**

Offset: 0x24			Register Name: IR_TXINT Default Value: 0x0000_0000
Bit	Read/Write	Default	Description
31:12	/	/	/
11:8	R/W	0	TEL TX FIFO Empty Level for interrupt and DMA request TRIGGER_LEVEL = TEL + 1
7:6	/	/	/
5	R/W	0	DRQ_EN TX FIFO Empty DMA Enable 0: Disable 1: Enable When set to '1', the Transmitter FIFO DRQ is asserted if reaching TEL. The DRQ is de-asserted when condition fails or specified number data has been sent from host CPU.
4	R/W	0	TEI_EN TX FIFO Empty Interrupt Enable 0: Disable 1: Enable When set to '1', the Transmitter FIFO interrupt is asserted if reaching TEL. The interrupt is de-asserted when condition fails or specified number data has been sent from host CPU.
3	R/W	0	TCI_EN Transmit (including the CRC and STO fields) Complete Interrupt Enable 0: Disable 1: Enable
2	R/W	0	SIPEI_EN Transmitter SIP End Interrupt Enable 0: Disable 1: Enable
1	R/W	0	TPEI_EN Transmitter Packet (the address, control and data fields) End Interrupt Enable 0: Disable 1: Enable
0	R/W	0	TUI_EN Transmitter FIFO Under run Interrupt Enable



			0: Disable 1: Enable
--	--	--	-------------------------

19.4.11. IR Transmitter Status Register

Offset: 0x28			Register Name: IR_TXSTA Default Value: 0x0000_1000
Bit	Read/Write	Default	Description
31:13	/	/	/
12:8	R	0x10	TA TX FIFO Available Room Counter 0: TX FIFO full 1: TX FIFO 1 byte room for new data 2: TX FIFO 2 byte room for new data ... 15: TX FIFO 15 byte room for new data 16: TX FIFO 16 byte room for new data (full empty) Others: Reserved
7:5	/	/	/
4	R/W	1	TE TX FIFO Empty 0: TX FIFO not empty 1: TX FIFO empty by its level This bit is cleared by writing a '1'.
3	R/W	0	TC Transmit (including the CRC and STO fields) Complete 0: Transmission not completed 1: Transmission completed This bit is cleared by writing a '1'.
2	R/W	0	SIPE Transmitter SIP End 0: Transmission of SIP not completed 1: Transmission of SIP completed This bit is cleared by writing a '1'.
1	R/W	0	TPE Transmitter Packet End 0: Transmissions of address, control and data fields not completed 1: Transmissions of address, control and data fields completed This bit is cleared by writing a '1'.
0	R/W	0	TU



			Transmitter FIFO Under Run 0: No transmitter FIFO under run 1: Transmitter FIFO under run This bit is cleared by writing a '1'.
--	--	--	--

19.4.12. IR Receiver Interrupt Control Register

Offset: 0x2C			Register Name: IR_RXINT Default Value: 0x0000_0000
Bit	Read/Write	Default	Description
31:12	/	/	/
11:8	R/W	0	RAL RX FIFO Available Received Byte Level for interrupt and DMA request TRIGGER_LEVEL = RAL + 1
7:6	/	/	/
5	R/W	0	DRQ_EN RX FIFO DMA Enable 0: Disable 1: Enable When set to '1', the Receiver FIFO DRQ is asserted if reaching RAL. The DRQ is de-asserted when condition fails.
4	R/W	0	RAI_EN RX FIFO Available Interrupt Enable 0: Disable 1: Enable When set to '1', the Receiver FIFO IRQ is asserted if reaching RAL. The IRQ is de-asserted when condition fails.
3	R/W	0	CRCL_EN Receiver CRC Error Interrupt Enable 0: Disable 1: Enable
2	R/W	0	RISI_EN Receiver Illegal Symbol Interrupt Enable 0: Disable 1: Enable
1	R/W	0	RPEI_EN Receiver Packet End Interrupt Enable 0: Disable 1: Enable



0	R/W	0	ROI_EN Receiver FIFO Overrun Interrupt Enable 0: Disable 1: Enable
---	-----	---	---

19.4.13. IR Receiver Status Register

Offset: 0x30			Register Name: IR_RXSTA Default Value: 0x0000_0000
Bit	Read/Write	Default	Description
31:13	/	/	/
12:8	R	0	RAC RX FIFO Available Counter 0: No available data in RX FIFO 1: 1 byte available data in RX FIFO 2: 2 byte available data in RX FIFO ... 16: 16 byte available data in RX FIFO
7:5	/	/	/
4	R/W	0	RA RX FIFO Available 0: RX FIFO not available according its level 1: RX FIFO available according its level This bit is cleared by writing a '1'.
3	R/W	0	CRC Receiver CRC Error Flag 0: No CRC failure 1: CRC failure This bit is cleared by writing a '1'.
2	R/W	0	RIS Receiver Illegal Symbol Flag 0: No illegal symbols in address, control, data or CRC field 1: Illegal symbol in address, control, data or CRC field This bit is cleared by writing a '1'.
1	R/W	0	RPE Receiver Packet End Flag 0: STO was not detected. In CIR mode, one CIR symbol is receiving or not detected. 1: STO field or packet abort symbol (7'b0000,000 and 8'b0000,0000 for MIR and FIR) is detected. In CIR mode, one CIR symbol is received.



			This bit is cleared by writing a '1'.
0	R/W	0	ROI Receiver FIFO Overrun 0: Receiver FIFO not overrun 1: Receiver FIFO overrun This bit is cleared by writing a '1'.

19.4.14. CIR Configure Register

Offset: 0x34			Register Name: IR_CIR Default Value: 0x0000_1828
Bit	Read/Write	Default	Description
31:16	/	/	/
15:8	R/W	0x18	<p>ITHR Idle Threshold for CIR</p> <p>The Receiver uses it to decide whether the CIR command has been received. If there is no CIR signal on the air, the receiver is staying in IDLE status. One active pulse will bring the receiver from IDLE status to Receiving status. After the CIR is end, the inputting signal will keep the specified level (high or low level) for a long time. The receiver can use this idle signal duration to decide that it has received the CIR command. The corresponding flag is asserted. If the corresponding interrupt is enable, the interrupt line is asserted to CPU.</p> <p>When the duration of signal keeps one status (high or low level) for the specified duration ((ITHR + 1)*128 sample_clk), this means that the previous CIR command has been finished.</p>
7:2	R/W	0xa	<p>NTHR Noise Threshold for CIR</p> <p>When the duration of signal pulse (high or low level) is less than NTHR, the pulse is taken as noise and should be discarded by hardware.</p> <p>0: all samples are recorded into RX FIFO 1: If the signal is only one sample duration, it is taken as noise and discarded. 2: If the signal is less than (\leq) two sample duration, it is taken as noise and discarded. ... 61: if the signal is less than (\leq) sixty-one sample duration, it is taken as noise and discarded.</p>



1:0	R/W	0	<p>SCS</p> <p>Sample Clock Select for CIR</p> <p>0: CIR sample_clk is ir_clk/64</p> <p>1: CIR sample_clk is ir_clk/128</p> <p>2: CIR sample_clk is ir_clk/256</p> <p>3: CIR sample_clk is ir_clk/512</p>
6	R/W	0	<p>FPR</p> <p>Force Port Resume</p> <p>1 = Resume detected/driven on port. 0 = No resume (K-state) detected/ driven on port. Default value = 0.</p> <p>This functionality defined for manipulating this bit depends on the value of the Suspend bit. For example, if the port is not suspend and software transitions this bit to a one, then the effects on the bus are undefined.</p> <p>Software sets this bit to a 1 drive resume signaling. The Host Controller sets this bit to a 1 if a J-to-K transition is detected while the port is in the Suspend state. When this bit transitions to a one because a J-to-K transition is detected, the Port Change Detect bit in the USBSTS register is also set to a one. If software sets this bit to a one, the host controller must not set the Port Change Detect bit.</p> <p>Note that when the EHCI controller owns the port, the resume sequence follows the defined sequence documented in the USB Specification Revision 2.0. The resume signaling (Full-speed 'K') is driven on the port as long as this remains a one. Software must appropriately time the Resume and set this bit to a zero when the appropriate amount of time has elapsed. Writing a zero (from one) causes the port to return high-speed mode (forcing the bus below the port into a high-speed idle). This bit will remain a one until the port has switched to high-speed idle. The host controller must complete this transition within 2 milliseconds of software setting this bit to a zero.</p> <p>This field is zero if Port Power is zero.</p>
5	R/WC	0	<p>OCC</p> <p>Over-current Change</p> <p>Default = 0. This bit gets set to a one when there is a change to Over-current Active. Software clears this bit by writing a one to this bit position.</p>
4	R	0	<p>OCA</p>



			<p>Over-current Active</p> <p>0 = This port does not have an over-current condition. 1 = This port currently has an over-current condition. This bit will automatically transition from a one to a zero when the over current condition is removed.</p> <p>The default value of this bit is '0'.</p>
3	R/WC	0	<p>PEDC</p> <p>Port Enable/Disable Change</p> <p>Default = 0. 1 = Port enabled/disabled status has changed. 0 = No change.</p> <p>For the root hub, this bit gets set to a one only when a port is disabled due to the appropriate conditions existing at the EOF2 point (See Chapter 11 of the USB Specification for the definition of a Port Error). Software clears this bit by writing a 1 to it.</p> <p>This field is zero if Port Power is zero.</p>
2	R/W	0	<p>PED</p> <p>Port Enabled/Disabled</p> <p>1=Enable, 0=Disable. Ports can only be enabled by the host controller as a part of the reset and enable. Software cannot enable a port by writing a one to this field. The host controller will only set this bit to a one when the reset sequence determines that the attached device is a high-speed device.</p> <p>Ports can be disabled by either a fault condition(disconnect event or other fault condition) or by host software. Note that the bit status does not change until the port state actually changes. There may be a delay in disabling or enabling a port due to other host controller and bus events.</p> <p>When the port is disabled, downstream propagation of data is blocked on this port except for reset.</p> <p>The default value of this field is '0'.</p> <p>This field is zero if Port Power is zero.</p>
1	R/WC	0	<p>CSC</p> <p>Connect Status Change</p> <p>1=Change in Current Connect Status, 0=No change, Default=0.</p> <p>Indicates a change has occurred in the port's Current Connect Status. The host controller sets this bit for all changes to the port device connect status, even if system software has not cleared an existing connect status change. For example, the insertion status changes twice</p>



			before system software has cleared the changed condition, hub hardware will be “setting” an already-set bit. Software sets this bit to 0 by writing a 1 to it. This field is zero if Port Power is zero.
0	R	0	CCS Current Connect Status Device is present on port when the value of this field is a one, and no device is present on port when the value of this field is a zero. This value reflects the current state of the port, and may not correspond directly to the event that caused the Connect Status Change(Bit 1) to be set. This field is zero if Port Power zero.

Note: This register is only reset by hardware or in response to a host controller reset.



20. USB_OTG Controller

20.1. Overview

The USB OTG is dual-role controller, which supports both Host and device functions. It can also be configured as a Host-only or Device-only controller, full compliant with the USB 2.0 Specification. It can support high-speed (HS, 480-Mbps), full-speed (FS, 12-Mbps), and low-speed (LS, 1.5-Mbps) transfers in Host mode. It can support high-speed (HS, 480-Mbps), and full-speed (FS, 12-Mbps) in Device mode.

The USB2.0 OTG controller (SIE) includes the following features:

- Complies with USB 2.0 Specification
- Support High-Speed (HS, 480-Mbps), Full-Speed (FS, 12-Mbps), and Low-Speed (LS, 1.5-Mbps) in Host mode and support High-Speed (HS, 480-Mbps), Full-Speed (FS, 12-Mbps) in Device mode
- 64-Byte Endpoint 0 for Control Transfer (Endpoint0)
- Support up to 5 User-Configurable Endpoints for Bulk , Isochronous, Control and Interrupt bi-directional transfers (Endpoint1, Endpoint2, Endpoint3, Endpoint4, Endpoint5)

20.2. USB_OTG Timing Diagram

Please refer USB2.0 Specification and its On-The-Go Supplement to the USB 2.0 Specification.

21. USB Host Controller

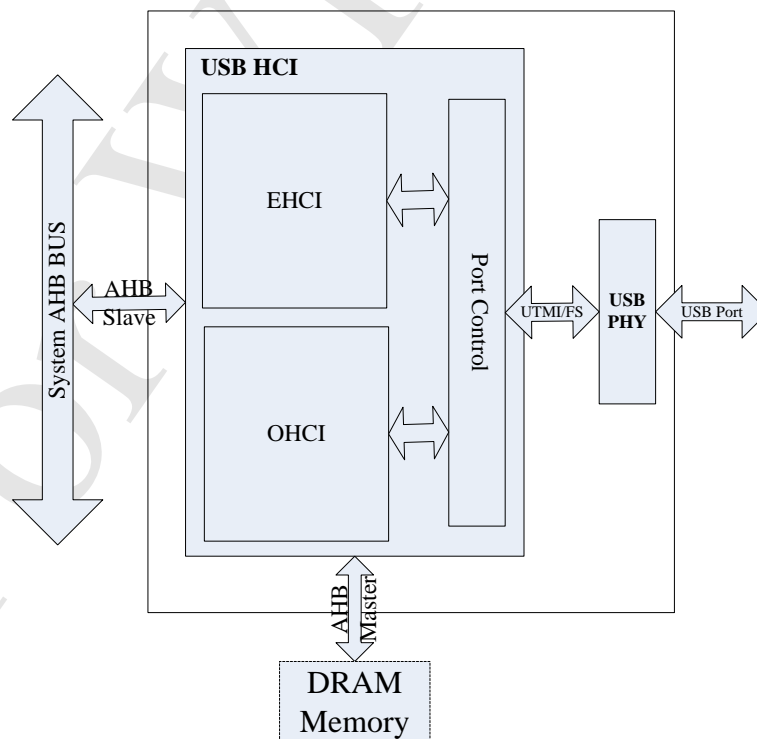
21.1. Overview

USB Host Controller is fully compliant with the USB 2.0 specification, Enhanced Host Controller Interface (EHCI) Specification, Revision 1.0, and the Open Host Controller Interface (OHCI) Specification Release 1.0a. The controller supports high-speed, 480-Mbps transfers (40 times faster than USB 1.1 full-speed mode) using an EHCI Host Controller, as well as full and low speeds through one or more integrated OHCI Host Controllers.

The USB host controller includes the following features:

- Including an internal DMA Controller for data transfer with memory.
- Complies with Enhanced Host Controller Interface (EHCI) Specification, Version 1.0, and the Open Host Controller Interface (OHCI) Specification, Version 1.0a.
- Support High-Speed (HS, 480-Mbps) Device only, Full-Speed (FS, 12Mbps) and Low-Speed (LS, 1.5Mbps) Device.
- Support only 1 USB Root Port shared between EHCI and OHCI.

The USB host controller System-Level block diagram is shown below:





21.2. USB Host Timing Diagram

Please refer USB2.0 Specification, Enhanced Host Controller Interface (EHCI) Specification, Version 1.0 and the Open Host Controller Interface (OHCI) Specification Release 1.0a.

FOR WITTS ONLY



22. Digital Audio Interface

22.1. Overview

The Digital Audio Interface can be configured as I2S interface or PCM interface by software. When configured as I2S interface, it can support the industry standard format for I2S, left-justified, or right-justified. When configured as PCM, it can be used to transmit digital audio over digital communication channels. It supports linear 13, 16-bits linear, 8-bit u-law or A-law compressed sample formats at 8K samples/sec, and can receive and transmit on any selection of the first four slots following PCM_SYNC.

It includes the following features:

- I2S or PCM configured by software
- Full-duplex synchronous serial interface
- Configurable Master / Slave Mode operation
- Support Audio data resolutions of 16, 20, 24
- I2S Audio data sample rate from 8Khz to 192Khz
- I2S Data format for standard I2S, Left Justified and Right Justified
- I2S support 8 channel output and 2 channel input
- PCM supports linear sample (8-bits or 16-bits), 8-bits u-law and A-law compressed sample
- One 128x24-bits FIFO for data transmit, one 64x24-bits FIFO for data receive
- Programmable FIFO thresholds
- Support Interrupt and DMA
- Two 32-bits Counters for AV sync application

The Digital Audio Interface block diagram is shown below:

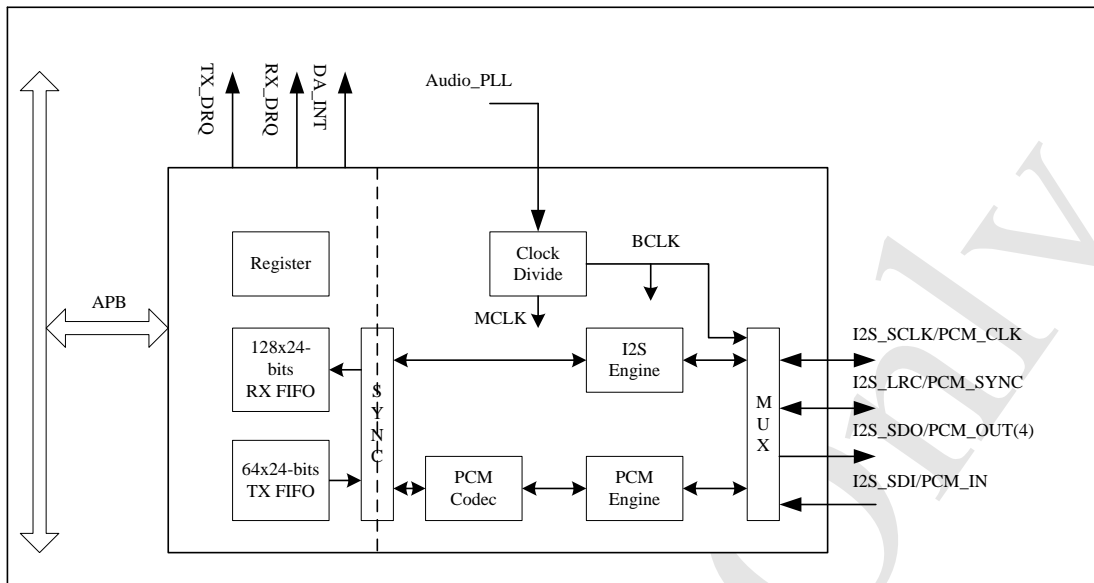


Figure 22-1 Digital Audio Interface System Block Diagram

22.2. Digital Audio Interface Timing Diagram

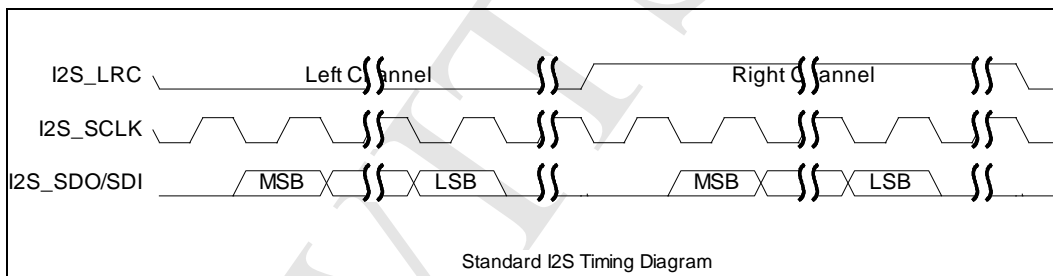


Figure 22-2 I2S Timing Diagram

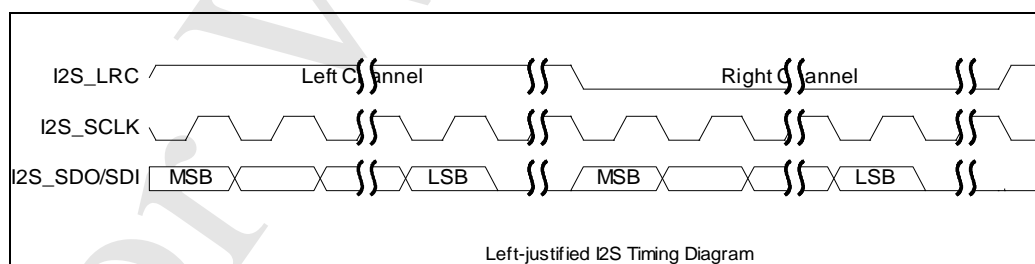


Figure 22-3 I2S Left-justified Timing Diagram

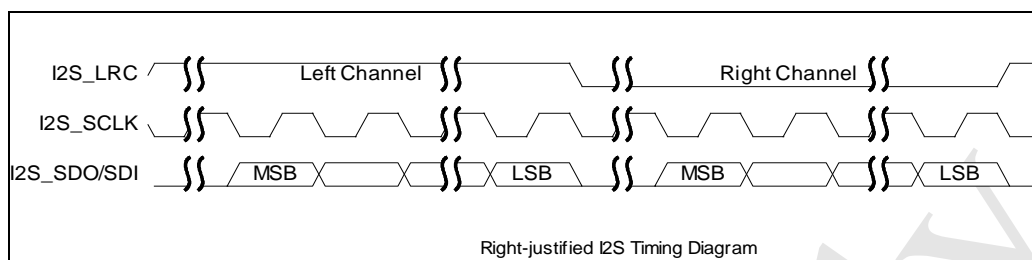


Figure 22-4 I2S Right-justified Timing Diagram

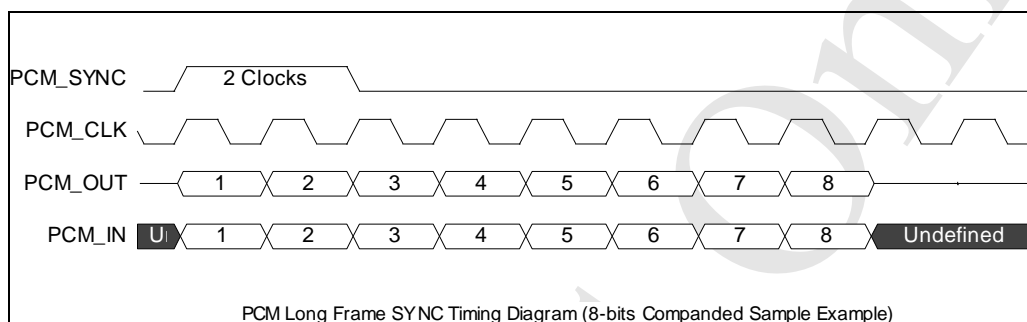


Figure 22-5 PCM Long Frame SYNC Timing Diagram

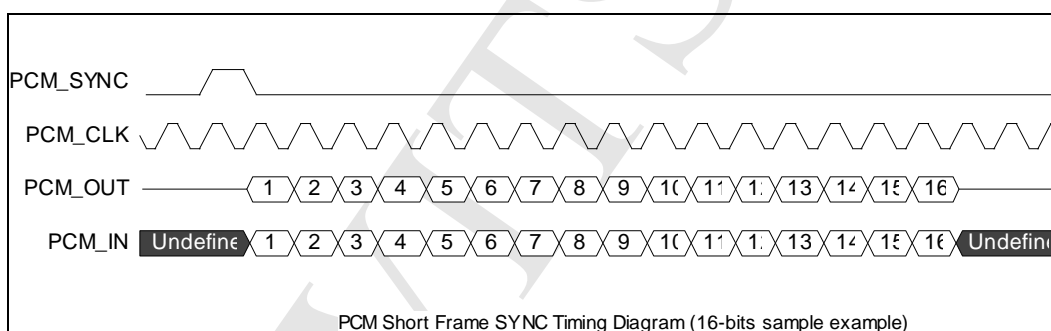


Figure 22-6 PCM Short Frame SYNC Timing Diagram

22.3. Digital Audio Interface Register List

Module Name	Base Address
DA	0x01C22400

Register Name	Offset	Description
DA_CTL	0x00	Digital Audio Control Register
DA_FAT0	0x04	Digital Audio Format Register 0
DA_FAT1	0x08	Digital Audio Format Register 1
DA_TXFIFO	0x0C	Digital Audio TX FIFO Register
DA_RXFIFO	0x10	Digital Audio RX FIFO Register
DA_FCTL	0x14	Digital Audio FIFO Control Register



DA_FSTA	0x18	Digital Audio FIFO Status Register
DA_INT	0x1C	Digital Audio Interrupt Control Register
DA_ISTA	0x20	Digital Audio Interrupt Status Register
DA_CLKD	0x24	Digital Audio Clock Divide Register
DA_TXCNT	0x28	Digital Audio RX Sample Counter Register
DA_RXCNT	0x2C	Digital Audio TX Sample Counter Register
DA_TXCHSEL	0x30	Digital Audio TX Channel Select Register
DA_TXCHMAP	0x34	Digital Audio TX Channel Mapping Register

22.4. Digital Audio Interface Register Description

22.4.1. Digital Audio Control Register

Offset: 0x00			Register Name: DA_CTL Default Value: 0x0000_0000
Bit	Read/Write	Default	Description
31:12	/	/	/
11	R/W	0	SDO3_EN 0: Disable 1: Enable
10	R/W	0	SDO2_EN 0: Disable 1: Enable
9	R/W	0	SDO1_EN 0: Disable 1: Enable
8	R/W	0	SDO0_EN 0: Disable 1: Enable
7	/	/	/
6	R/W	0	ASS Audio sample select when TX FIFO under run 0: Sending zero 1: Sending last audio sample
5	R/W	0	MS Master Slave Select 0: Master 1: Slave
4	R/W	0	PCM



			0: I2S Interface 1: PCM Interface
3	R/W	0	LOOP Loop back test 0: Normal mode 1: Loop back test When set '1', connecting the SDO with the SDI in Master mode.
2	R/W	0	TXEN Transmitter Block Enable 0: Disable 1: Enable
1	R/W	0	RXEN Receiver Block Enable 0: Disable 1: Enable
0	R/W	0	GEN Globe Enable A disable on this bit overrides any other block or channel enables and flushes all FIFOs. 0: Disable 1: Enable

22.4.2. Digital Audio Format Register 0

Offset: 0x04			Register Name: DA_FAT0 Default Value: 0x0000_000C
Bit	Read/Write	Default	Description
31:8	/	/	/
7	R/W	0	LRCP Left/ Right Clock Parity 0: Normal 1: Inverted In DSP/ PCM mode 0: MSB is available on 2nd BCLK rising edge after LRC rising edge 1: MSB is available on 1st BCLK rising edge after LRC rising edge
6	R/W	0	BCP BCLK Parity 0: Normal 1: Inverted



5:4	R/W	0	SR Sample Resolution 00: 16-bits 01: 20-bits 10: 24-bits 11: Reserved
3:2	R/W	0x3	WSS Word Select Size 00: 16 BCLK 01: 20 BCLK 10: 24 BCLK 11: 32 BCLK
1:0	R/W	0	FMT Serial Data Format 00: Standard I2S Format 01: Left Justified Format 10: Right Justified Format 11: Reserved

22.4.3. Digital Audio Format Register 1

Offset: 0x08			Register Name: DA_FAT1 Default Value: 0x0000_4020
Bit	Read/Write	Default	Description
31:15	/	/	/
14:12	R/W	0x4	PCM_SYNC_PERIOD PCM SYNC Period Clock Number 000: 16 BCLK period 001: 32 BCLK period 010: 64 BCLK period 011: 128 BCLK period 100: 256 BCLK period Others : Reserved
11	R/W	0	PCM_SYNC_OUT PCM Sync Out 0: Enable PCM_SYNC output in Master mode 1: Suppress PCM_SYNC whilst keeping PCM_CLK running. Some Codec utilize this to enter a low power state.
10	R/W	0	PCM Out Mute Write 1 force PCM_OUT to 0
9	R/W	0	MLS



			MSB / LSB First Select 0: MSB First 1: LSB First
8	R/W	0	SEXT Sign Extend (only for 16 bits slot) 0: Zeros or audio gain padding at LSB position 1: Sign extension at MSB position When writing the bit is 0, the unused bits are audio gain for 13-bit linear sample and zeros padding for 8-bit companding sample. When writing the bit is 1, the unused bits are both sign extension.
7:6	R/W	0	SI Slot Index 00: the 1st slot 01: the 2nd slot 10: the 3rd slot 11: the 4th slot
5	R/W	1	SW Slot Width 0: 8 clocks width 1: 16 clocks width Notes: For A-law or u-law PCM sample, if this bit is set to 1, eight zero bits are following with PCM sample.
4	R/W	0	SSYNC Short Sync Select 0: Long Frame Sync 1: Short Frame Sync It should be set '1' for 8 clocks width slot.
3:2	R/W	0	RX_PDM PCM Data Mode 00: 16-bits Linear PCM 01: 8-bits Linear PCM 10: 8-bits u-law 11: 8-bits A-law
1:0	R/W	0	TX_PDM PCM Data Mode 00: 16-bits Linear PCM 01: 8-bits Linear PCM 10: 8-bits u-law 11: 8-bits A-law



22.4.4. Digital Audio TX FIFO Register

Offset: 0x0C			Register Name: DA_TXFIFO Default Value: 0x0000_0000
Bit	Read/Write	Default	Description
31:0	W	0	TX_DATA TX Sample Transmitting left, right channel sample data should be written this register one by one. The left channel sample data is first and then the right channel sample.

22.4.5. Digital Audio RX FIFO register

Offset: 0x10			Register Name: DA_RXFIFO Default Value: 0x0000_0000
Bit	Read/Write	Default	Description
31:0	R	0	RX_DATA RX Sample Host can get one sample by reading this register. The left channel sample data is first and then the right channel sample.

22.4.6. Digital Audio FIFO Control Register

Offset: 0x14			Register Name: DA_FCTL Default Value: 0x0004_00F0
Bit	Read/Write	Default	Description
31	R/W	0	FIFOSRC TX FIFO source select 0: APB bus 1: Analog Audio CODEC
30:26	/	/	/
25	R/W	0	FTX Write '1' to flush TX FIFO, self clear to '0'.
24	R/W	0	FRX Write '1' to flush RX FIFO, self clear to '0'.
23:19	/	/	/
18:12	R/W	0x40	TXTL TX FIFO Empty Trigger Level Interrupt and DMA request trigger level for TXFIFO normal condition



			Trigger Level = TXTL
11:10	/	/	/
9:4	R/W	0xF	RXTL RX FIFO Trigger Level Interrupt and DMA request trigger level for RXFIFO normal condition Trigger Level = RXTL + 1
3	/	/	/
2	R/W	0	TXIM TX FIFO Input Mode (Mode 0, 1) 0: Valid data at the MSB of TXFIFO register 1: Valid data at the LSB of TXFIFO register Example for 20-bits transmitted audio sample: Mode 0: FIFO_I[23:0] = {4'h0, TXFIFO[31:12]} Mode 1: FIFO_I[23:0] = {4'h0, TXFIFO[19:0]}
1:0	R/W	0	RXOM RX FIFO Output Mode (Mode 0, 1, 2, 3) 00: Expanding '0' at LSB of DA_RXFIFO register. 01: Expanding received sample sign bit at MSB of DA_RXFIFO register. 10: Truncating received samples at high half-word of DA_RXFIFO register and low half-word of DA_RXFIFO register is filled by '0'. 11: Truncating received samples at low half-word of DA_RXFIFO register and high half-word of DA_RXFIFO register is expanded by its sign bit. Example for 20-bits received audio sample: Mode 0: RXFIFO[31:0] = {FIFO_O[19:0], 12'h0} Mode 1: RXFIFO[31:0] = {12{FIFO_O[19]}, FIFO_O[19:0]} Mode 2: RXFIFO[31:0] = {FIFO_O[19:4], 16'h0} Mode 3: RXFIFO[31:0] = {16{FIFO_O[19]}, FIFO_O[19:4]}

22.4.7. Digital Audio FIFO Status Register

Offset: 0x18			Register Name: DA_FSTA Default Value: 0x1080_0000
Bit	Read/Write	Default	Description
31:29	/	/	/
28	R	1	TXE TX FIFO Empty



			0: No room for new sample in TX FIFO 1: More than one room for new sample in TX FIFO (≥ 1 word)
27:24	/	/	/
23:16	R	0x80	TXE_CNT TX FIFO Empty Space Word Counter
15:9	/	/	/
8	R	0	RXA RX FIFO Available 0: No available data in RX FIFO 1: More than one sample in RX FIFO (≥ 1 word)
7	/	/	/
6:0	R	0	RXA_CNT RX FIFO Available Sample Word Counter

22.4.8. Digital Audio DMA & Interrupt Control Register

Offset: 0x1C			Register Name: DA_INT Default Value: 0x0000_0000
Bit	Read/Write	Default	Description
31:8	/	/	/
7	R/W	0	TX_DRQ TX FIFO Empty DRQ Enable 0: Disable 1: Enable
6	R/W	0	TXUI_EN TX FIFO Under run Interrupt Enable 0: Disable 1: Enable
5	R/W	0	TXOI_EN TX FIFO Overrun Interrupt Enable 0: Disable 1: Enable When set to '1', an interrupt happens when writing new audio data if TX FIFO is full.
4	R/W	0	TXEI_EN TX FIFO Empty Interrupt Enable 0: Disable 1: Enable
3	R/W	0	RX_DRQ RX FIFO Data Available DRQ Enable 0: Disable



			1: Enable When set to '1', RXFIFO DMA Request line is asserted if Data is available in RX FIFO.
2	R/W	0	RXUI_EN RX FIFO Under run Interrupt Enable 0: Disable 1: Enable
1	R/W	0	RXOI_EN RX FIFO Overrun Interrupt Enable 0: Disable 1: Enable
0	R/W	0	RXAI_EN RX FIFO Data Available Interrupt Enable 0: Disable 1: Enable

22.4.9. Digital Audio Interrupt Status Register

Offset: 0x20			Register Name: DA_ISTA Default Value: 0x0000_0010
Bit	Read/Write	Default	Description
31:7	/	/	/
6	R/W	0	TXU_INT TX FIFO Under run Pending Interrupt 0: No Pending Interrupt 1: FIFO Under run Pending Interrupt
5	R/W	0	TXO_INT TX FIFO Overrun Pending Interrupt 0: No Pending Interrupt 1: FIFO Overrun Pending Interrupt Write '1' to clear this interrupt
4	R/W	1	TXE_INT TX FIFO Empty Pending Interrupt 0: No Pending IRQ 1: FIFO Empty Pending Interrupt Write '1' to clear this interrupt or automatic clear if interrupt condition fails.
3:2	/	/	/
2	R/W	0	RXU_INT RX FIFO Under run Pending Interrupt 0: No Pending Interrupt 1: FIFO Under run Pending Interrupt



			Write 1 to clear this interrupt
1	R/W	0	RXO_INT RX FIFO Overrun Pending Interrupt 0: No Pending IRQ 1: FIFO Overrun Pending IRQ Write '1' to clear this interrupt
0	R/W	0	RXA_INT RX FIFO Data Available Pending Interrupt 0: No Pending IRQ 1: Data Available Pending IRQ Write '1' to clear this interrupt or automatic clear if interrupt condition fails.

22.4.10. Digital Audio Clock Divide Register

Offset: 0x24			Register Name: DA_CLKD Default Value: 0x0000_0000
Bit	Read/Write	Default	Description
31:8	/	/	/
7	R/W	0	MCLKO_EN 0: Disable MCLK Output 1: Enable MCLK Output Notes: Whether in Slave or Master mode, when this bit is set to 1, MCLK should be output.
6:4	R/W	0	BCLKDIV BCLK Divide Ratio from MCLK 000: Divide by 2 (BCLK = MCLK/2) 001: Divide by 4 010: Divide by 6 011: Divide by 8 100: Divide by 12 101: Divide by 16 110: Divide by 32 111: Divide by 64
3:0	R/W	0	MCLKDIV MCLK Divide Ratio from Audio PLL Output 0000: Divide by 1 0001: Divide by 2 0010: Divide by 4 0011: Divide by 6 0100: Divide by 8 0101: Divide by 12



			0110: Divide by 16 0111: Divide by 24 1000: Divide by 32 1001: Divide by 48 1010: Divide by 64 Others : Reserved
--	--	--	---

22.4.11. Digital Audio TX Counter register

Offset: 0x28			Register Name: DA_TXCNT Default Value: 0x0000_0000
Bit	Read/Write	Default	Description
31:0	R/W	0	TX_CNT TX Sample Counter The audio sample number of sending into TXFIFO. When one sample is put into TXFIFO by DMA or by host IO, the TX sample counter register increases by one. The TX sample counter register can be set to any initial value at any time. After been updated by the initial value, the counter register should count on base of this initial value.

22.4.12. Digital Audio RX Counter register

Offset: 0x2C			Register Name: DA_RXCNT Default Value: 0x0000_0000
Bit	Read/Write	Default	Description
31:0	R/W	0	RX_CNT RX Sample Counter The audio sample number of writing into RXFIFO. When one sample is written by Digital Audio Engine, the RX sample counter register increases by one. The RX sample counter register can be set to any initial value at any time. After been updated by the initial value, the counter register should count on base of this initial value.

22.4.13. Digital Audio TX Channel Select register

Offset: 0x30	Register Name: DA_TXCHSEL
---------------------	----------------------------------



			Default Value: 0x0000_0001
Bit	Read/Write	Default	Description
31:3	/	/	/
2:0	R/W	1	TX_CHSEL TX Channel Select 0: 1-ch 1: 2-ch 2: 3-ch 3: 4-ch 4: 5-ch 5: 6-ch 6: 7-ch 7: 8-ch

22.4.14. Digital Audio TX Channel Mapping Register

Offset: 0x34			Register Name: DA_TXCHMAP Default Value: 0x7654_3210
Bit	Read/Write	Default	Description
31	/	/	/
30:28	R/W	7	TX_CH7_MAP TX Channel7 Mapping 000: 1 st sample 001: 2 nd sample 010: 3 rd sample 011: 4 th sample 100: 5 th sample 101: 6 th sample 110: 7 th sample 111: 8 th sample
27	/	/	/
26:24	R/W	6	TX_CH6_MAP TX Channel6 Mapping 000: 1 st sample 001: 2 nd sample 010: 3 rd sample 011: 4 th sample 100: 5 th sample 101: 6 th sample 110: 7 th sample 111: 8 th sample
23	/	/	/



22:20	R/W	5	TX_CH5_MAP TX Channel5 Mapping 000: 1 st sample 001: 2 nd sample 010: 3 rd sample 011: 4 th sample 100: 5 th sample 101: 6 th sample 110: 7 th sample 111: 8 th sample
19	/	/	/
18:16	R/W	4	TX_CH4_MAP TX Channel4 Mapping 000: 1 st sample 001: 2 nd sample 010: 3 rd sample 011: 4 th sample 100: 5 th sample 101: 6 th sample 110: 7 th sample 111: 8 th sample
15	/	/	/
14:12	R/W	3	TX_CH3_MAP TX Channel3 Mapping 000: 1 st sample 001: 2 nd sample 010: 3 rd sample 011: 4 th sample 100: 5 th sample 101: 6 th sample 110: 7 th sample 111: 8 th sample
11	/	/	/
10:8	R/W	2	TX_CH2_MAP TX Channel2 Mapping 000: 1 st sample 001: 2 nd sample 010: 3 rd sample 011: 4 th sample 100: 5 th sample 101: 6 th sample 110: 7 th sample 111: 8 th sample



7	/	/	/
6:4	R/W	1	TX_CH1_MAP TX Channel1 Mapping 000: 1 st sample 001: 2 nd sample 010: 3 rd sample 011: 4 th sample 100: 5 th sample 101: 6 th sample 110: 7 th sample 111: 8 th sample
3	/	/	/
2:0	R/W	0	TX_CH0_MAP TX Channel0 Mapping 000: 1 st sample 001: 2 nd sample 010: 3 rd sample 011: 4 th sample 100: 5 th sample 101: 6 th sample 110: 7 th sample 111: 8 th sample

22.4.15. Digital Audio RX Channel Select register

Offset: 0x38			Register Name: DA_RXCHSEL Default Value: 0x0000_0001
Bit	Read/Write	Default	Description
31:3	/	/	/
2:0	R/W	1	RX_CHSEL RX Channel Select 0: 1-ch 1: 2-ch 2: 3-ch 3: 4-ch Others: Reserved

22.4.16. Digital Audio RX Channel Mapping Register

Offset: 0x3C	Register Name: DA_RXCHMAP Default Value: 0x0000_3210
---------------------	---



Bit	Read/Write	Default	Description
31:15	/	/	/
14:12	R/W	3	RX_CH3_MAP RX Channel3 Mapping 000: 1 st sample 001: 2 nd sample 010: 3 rd sample 011: 4 th sample Others: Reserved
11	/	/	/
10:8	R/W	2	RX_CH2_MAP RX Channel2 Mapping 000: 1 st sample 001: 2 nd sample 010: 3 rd sample 011: 4 th sample Others: Reserved
7	/	/	/
6:4	R/W	1	RX_CH1_MAP RX Channel1 Mapping 000: 1 st sample 001: 2 nd sample 010: 3 rd sample 011: 4 th sample Others: Reserved
3	/	/	/
2:0	R/W	0	RX_CH0_MAP RX Channel0 Mapping 000: 1 st sample 001: 2 nd sample 010: 3 rd sample 011: 4 th sample Others: Reserved

22.5. Digital Audio Interface Special Requirement

22.5.1. Digital Audio Interface Pin List

Port Name	Width	Direction(M)	Description
DA_BCLK	1	IN/OUT	Digital Audio Serial Clock
DA_LRC	1	IN/OUT	Digital Audio Sample Rate Clock/ Sync



DA_SDO	1	OUT	Digital Audio Serial Data Output
DA_SDI	1	IN	Digital Audio Serial Data Input
DA_MCLK	1	OUT	Digital Audio MCLK Output

22.5.2. Digital Audio Interface MCLK and BCLK

The Digital Audio Interface can support sampling rates from 128fs to 768fs, where fs is the audio sampling frequency typically 32kHz, 44.1kHz, 48kHz or 96kHz. For different sampling frequency, the tables list the coefficient value of MCLKDIV and BCLKDIV.

Sampling Rate (kHz)	128fs	192fs	256fs	384fs	512fs	768fs
8	24	16	12	8	6	4
16	12	8	6	4	X	2
32	6	4	X	2	X	1
64	X	2	X	1	X	X
128	X	1	X	X	X	X
12	16	X	8	X	4	X
24	8	X	4	X	2	X
48	4	X	2	X	1	X
96	2	X	1	X	X	X
192	1	X	X	X	X	X

Table 22-1 MCLKDIV value for 24.576MHz Audio Serial Frequency

Sampling Rate (kHz)	128fs	192fs	256fs	384fs	512fs	768fs
11.025	16	X	8	X	4	X
22.05	8	X	4	X	2	X
44.1	4	X	2	X	1	X
88.2	2	X	1	X	X	X
176.4	1	X	X	X	X	X

Table 22-2 MCLKDIV value for 22.5792 MHz Audio Serial Frequency

Word Select Size	128fs	192fs	256fs	384fs	512fs	768fs
16	4	6	8	12	16	X
24	X	4	X	8	X	16
32	2	X	4	6	8	12

Table 22-3 BCLKDIV value for Different Word Select Size



22.5.3. Digital Audio Interface Clock Source and Frequency

There are two clocks for Digital Audio Interface. One is from APB bus and one is from Audio PLL.

Name	Description
Audio_PLL	24.576Mhz or 22.528Mhz generated by Audio PLL
APB_CLK	APB bus system clock. In I2S mode, it is requested ≥ 0.25 BCLK. In PCM mode, it is requested ≥ 0.5 BCLK.



23. AC97 Interface

23.1. Overview

The AC97 interface supports AC97 revision 2.3. AC97 Controller uses audio Controller link (AC-link) to communicate with AC97 Codec. In transmission mode, Controller sends the stereo PCM data to Codec. The external digital-to-analog converter (DAC) in the Codec converts the audio sample to an analog audio waveform. In receiving mode, Controller receives the stereo PCM data and the mono Microphone data from Codec then stores in memories.

AC97 Interface includes below features:

- Compliant with AC97 2.3 component Specification
- Full-duplex synchronous serial interface
- Support 2 channels, TX (stereo),RX (PCM stereo, MIC mono optional)
- Variable Sampling Rate AC97 Codec Interface support, up to 48KHz
- Support 2 channel and 6 channel audio data output
- Support DRA mode
- Support Only one primary Codec
- Channels support mono or stereo samples of 16(standard), 18(optional) and 20(optional) bit wide.
- One 96×20bits FIFO and one 32×20-bits FIFO for data transfer
- Programmable FIFO thresholds
- Support Interrupt and DMA

23.2. AC97 Block diagram

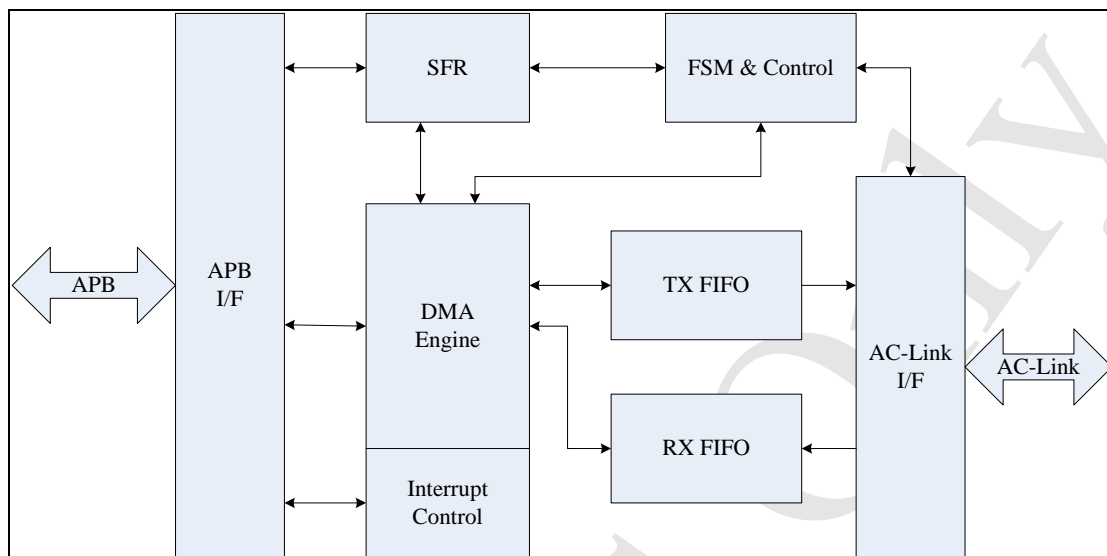


Figure 23-1 AC97 Interface Block Diagram

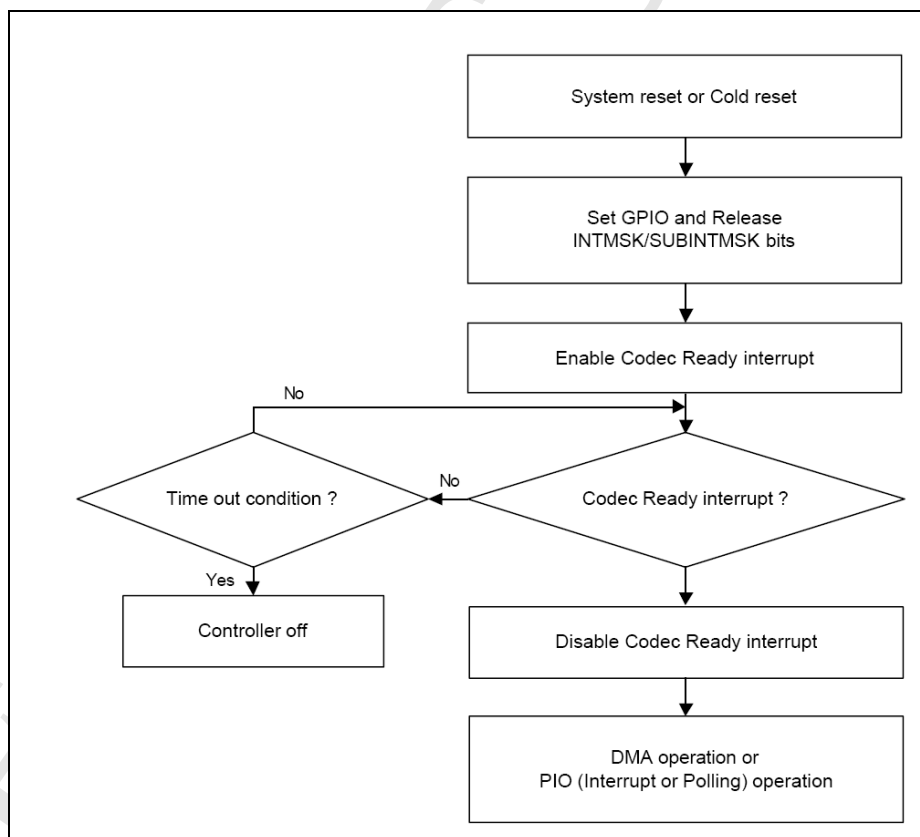


Figure 23-2 Operation flow diagram

23.3. AC97 Interface clock tree

The beginning of all audio sample packets, or Audio Frames, transferred over AC-link is synchronized to the rising edge of the SYNC signal. SYNC is driven by the Controller. The Controller generates SYNC by dividing BIT_CLK by 256 and applying some condition to tailor its duty cycle. This yields a 48 KHz SYNC signal whose period defines an audio frame. Data is transitioned on AC-link on every rising edge of BIT_CLK, and subsequently sampled by the receiving device on the receiving side of AC-link on each immediately following falling edge of BIT_CLK.

23.4. AC Link frame Format

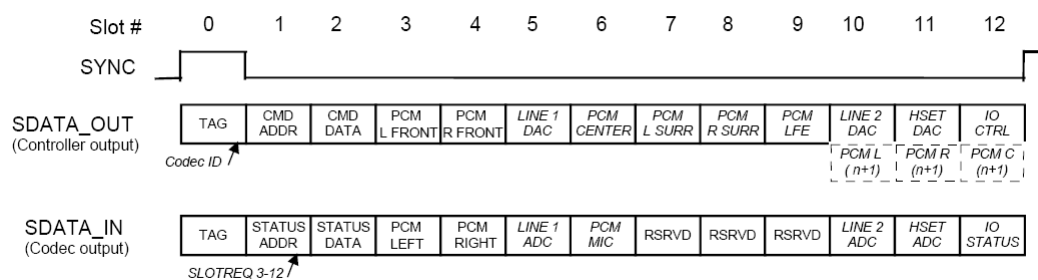


Figure 23-3. Bi-directional AC-link Frame with slot assignments

The AC-link output slots (transmitted from the Controller) are defined as follows:

Slot	Name	Description
0	SDATA_OUT TAG	MSBs indicate which slots contain valid data; LSBs convey Codec ID
1	Control CMD ADDR write port	Read/write command bit plus 7-bit Codec register address
2	Control DATA write port	16-bit command register write data
3,4	PCM L&R DAC playback	16, 18, or 20-bit PCM data for Left and Right channels
5	Modem Line 1 DAC	16-bit modem data for modem Line 1 output
6,7,8,9	PCM Center, Surround L&R, LFE	16, 18, or 20-bit PCM data for Center, Surround L&R, LFE channels
10	Modem Line 2 DAC	16-bit modem data for modem Line 2 output
11	Modem handset DAC	16-bit modem data for modem Handset output
12	Modem IO control	GPIO write port for modem Control
10-11	SPDIF Out	Optional AC-link bandwidth for SPDIF output
6-12	Double rate audio	Optional AC-link bandwidth for 88.2 or 96 kHz on L, C, R channels. Actual slots used are controlled by the DRSS bits.

The AC-link input slots (transmitted from the Codec) are defined as follows:

Slot	Name	Description
0	SDATA_IN TAG	MSBs indicate which slots contain valid data
1	STATUS ADDR read port	MSBs echo register address; LSBs indicate which slots request data
2	STATUS DATA read port	16-bit command register read data
3,4	PCM L&R ADC record	16, 18 or 20-bit PCM data from Left and Right inputs
5	Modem Line 1 ADC	16-bit modem data from modem Line1 input
6	Dedicated Microphone ADC	16, 18 or 20-bit PCM data from optional 3rd ADC input
7,8,9	Vendor reserved	Vendor specific (enhanced input for docking, array mic, etc)
10	Modem Line 2 ADC	16-bit modem data from modem Line 2 input
11	Modem handset input ADC	16-bit modem data for modem Handset input
12	Modem IO status	GPIO read port for modem Status

23.5. AC97 Interface Timing Diagram

23.5.1. Cold Reset timing diagram

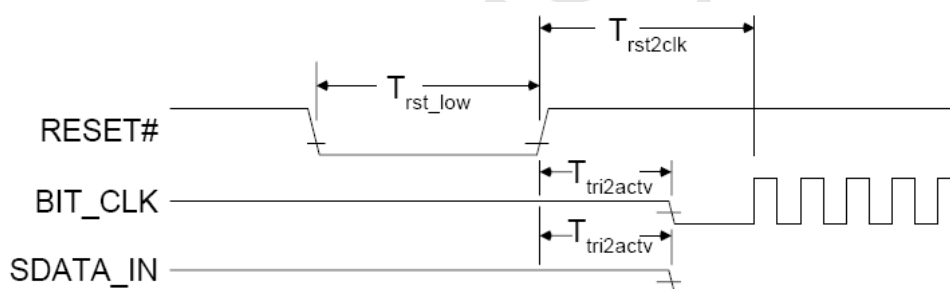


Figure 23-4 Cold Reset timing diagram

Table23-1. Cold Reset timing parameters

Parameter	Symbol	Min	Typ	Max	Units
RESET# active low pulse width	T_{rst_low}	1.0	-	-	μs
RESET# inactive to SDATA_IN or BIT_CLK active delay	$T_{tri2actv}$	-	-	25	ns
RESET# inactive to BIT_CLK startup delay	$T_{rst2clk}$	162.8	-	-	ns

23.5.2. Warm Reset timing diagram

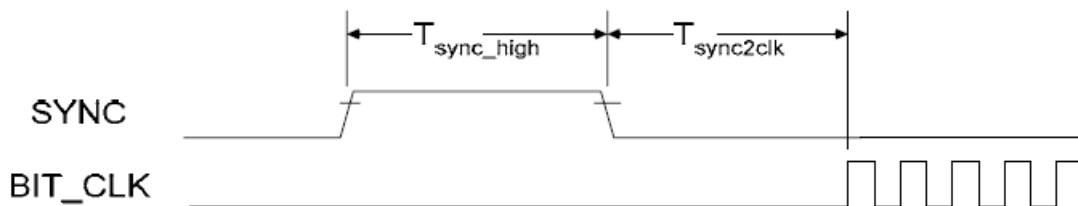


Figure 23-5 Warm Reset timing diagram

Table 23-2. Warm Reset timing parameters

Parameter	Symbol	Min	Typ	Max	Units
SYNC active high pulse width	T_{sync_high}	1.0	-	-	μs
SYNC inactive to BIT_CLK startup delay	$T_{sync2clk}$	162.8	-	-	ns

23.5.3. Power Down timing diagram

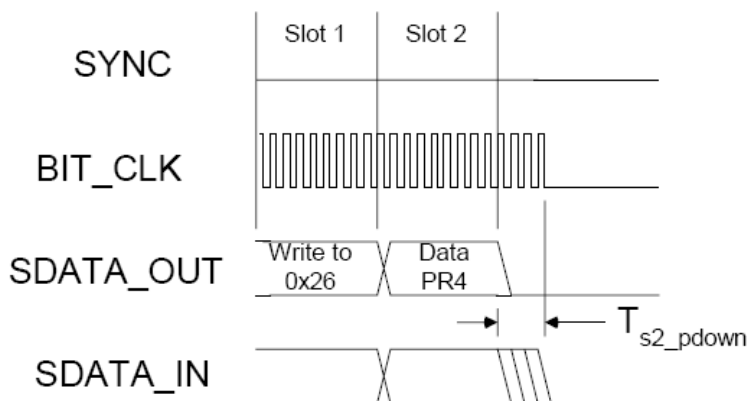


Fig 23-6 AC-link low power mode timing diagram

Table 23-3. AC-link low power mode timing parameters

Parameter	Symbol	Min	Typ	Max	Units
End of Slot 2 to BIT_CLK, SDATA_IN low	T_{s2_pdown}	-	-	1.0	μs

23.5.4.AC-link Clock

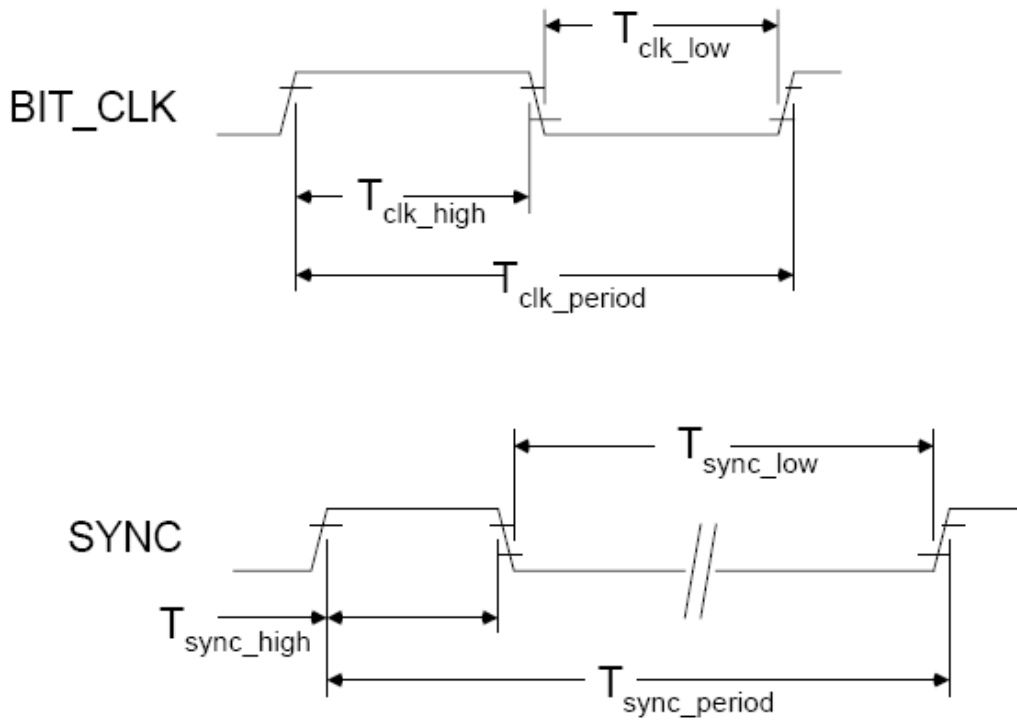


Fig 23-7 BIT_CLK and SYNC Timing diagram

Table23-4. BIT_CLK and SYNC Timing Parameters

Parameter	Symbol	Min	Typ	Max	Units
BIT_CLK frequency		-	12.288	-	MHz
BIT_CLK period	T_{clk_period}	-	81.4	-	ns
BIT_CLK output jitter		-	-	750	ps
BIT_CLK high pulse width (note 2)	T_{clk_high}	36	40.7	45	ns
BIT_CLK low pulse width (note 2)	T_{clk_low}	36	40.7	45	ns
SYNC frequency		-	48.0	-	kHz
SYNC period	T_{sync_period}	-	20.8	-	μ s
SYNC high pulse width	T_{sync_high}	-	1.3	-	μ s
SYNC low pulse width	T_{sync_low}	-	19.5	-	μ s

Note 1: 47.5-75 pF external load as per Table 54
 Note 2: Worst case duty cycle restricted to 45/55

23.5.5.Data transmission timing diagram

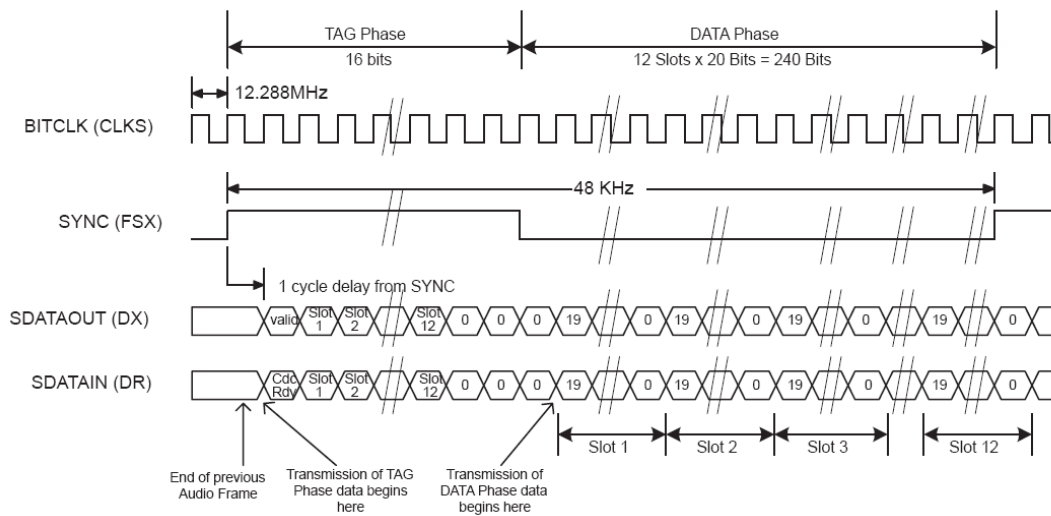


Fig24-8 Data transmission timing diagram

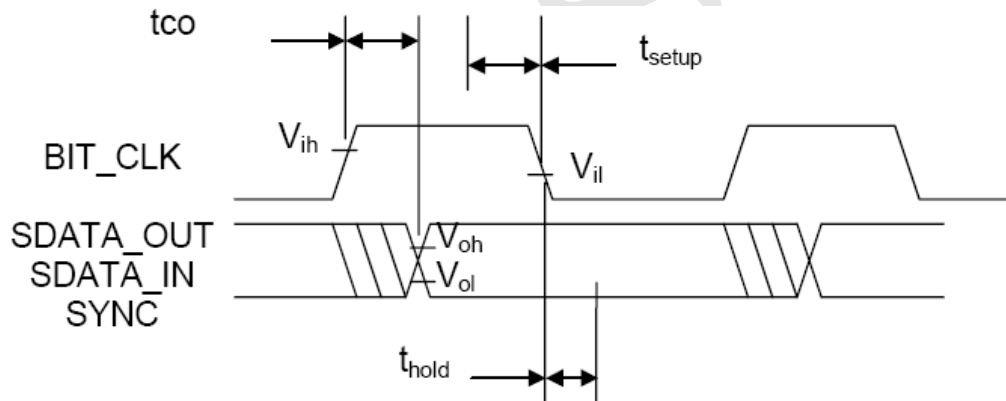


Fig 24-9 Data Output and Input Timing Diagram

Table23-5. AC-link Output Valid Delay Timing Parameters

Parameter	Symbol	Min	Typ	Max	Units
Output Valid Delay from rising edge of BIT_CLK	tco	-	-	15	ns

Note: 47.5-75pF external load as per Table 54

Table23-6. AC-link Input Setup and Hold Timing Parameters

Parameter	Symbol	Min	Typ	Max	Units
Input Setup to falling edge of BIT_CLK	t _{setup}	10	-	-	ns
Input Hold from falling edge of BIT_CLK	t _{hold}	10	-	-	ns

Table23-7. AC-link Combined Rise or Fall plus Flight Timing Parameters

Parameter	Symbol	Min	Typ	Max	Units
BIT_CLK combined rise or fall plus flight time (Primary Codec to Controller or Secondary)		-	-	7	ns
SDATA combined rise or fall plus flight time (Output to Input)		-	-	7	ns

Note: Combined rise or fall plus flight times are provided for worst case scenario modeling purposes

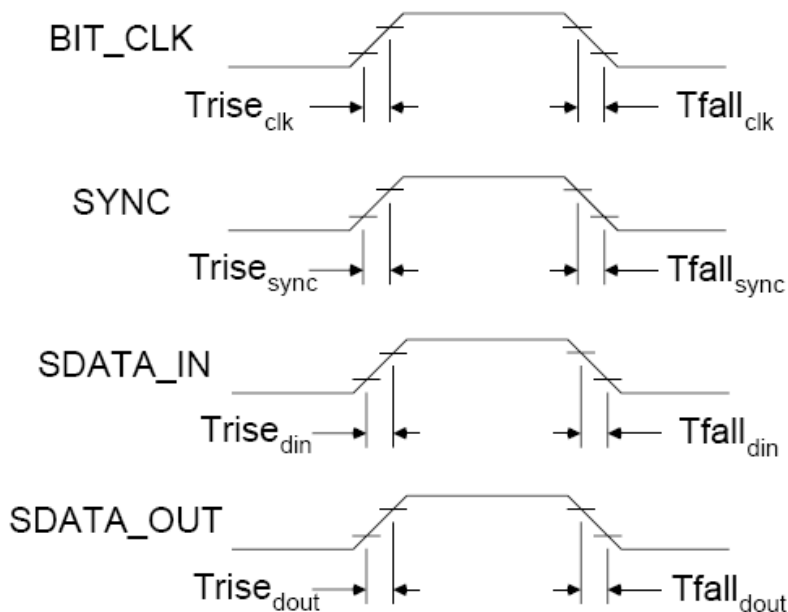


Fig23-10 Signal rise and fall timing diagram

Table23-8. Signal Rise and Fall Time Parameters

Parameter	Symbol	Min	Typ	Max	Units
BIT_CLK rise time (Note 1)	Trise _{clk}	-	-	6	ns
BIT_CLK fall time (Note 1)	Tfall _{clk}	-	-	6	ns
SYNC rise time (Note 2)	Trise _{sync}	-	-	6	ns
SYNC fall time (Note 2)	Tfall _{sync}	-	-	6	ns
SDATA_IN rise time (Note 3)	Trise _{din}	-	-	6	ns
SDATA_IN fall time (Note 3)	Tfall _{din}	-	-	6	ns
SDATA_OUT rise time (Note 2)	Trise _{dout}	-	-	6	ns
SDATA_OUT fall time (Note 2)	Tfall _{dout}	-	-	6	ns

Note 1: BIT_CLK rise/fall times with an external load of 75 pF
 Note 2: SYNC and SDATA_OUT rise/fall times with a external load of 75 pF
 Note 3: SDATA_IN rise/fall times with an external load of 60 pF
 Note 4: Rise is from 10% to 90% of V_{dd} (V_{ol} to V_{oh})
 Note 5: Fall is from 90% to 10% of V_{dd} (V_{oh} to V_{ol})



23.6. AC97 Interface Register List

Module Name	Base Address	
AC97	0x01C21400	

Register Name	Offset	Description
AC_CTL	0x00	AC97 Control Register
AC_FAT	0x04	AC97 Format Register
AC_CMD	0x08	AC97 Command Register
AC_CS	0x0C	AC97 Codec Status Register
AC_TX_FIFO	0x10	AC97 TX FIFO Register
AC_RX_FIFO	0x14	AC97 RX FIFO Register
AC_FCTL	0x18	AC97 FIFO Control Register
AC_FSTA	0x1C	AC97 FIFO Status Register
AC_INT	0x20	AC97 Interrupt Control Register
AC_ISTA	0x24	AC97 Interrupt Status Register
AC_TX_CNT	0x28	AC97 TX Counter register
AC_RX_CNT	0x2C	AC97 RX Counter register

23.7. AC97 Interface Register Description

23.7.1.AC97 Control Register

Offset: 0x00			Register Name: AC_CTL Default Value: 0x0000_0000
Bit	Read/Write	Default	Description
31:19	/	/	/
18	R	0	CS_RF CODEC Status Register FLAG 0: Empty 1: Full
17	R	0	CMD_RF CMD Register FLAG 0: Empty 1: Full
16	R	0	RX_STATUS



			RX Transfer Status 0: PCM IN 1: MIC IN
15:10	/	/	/
9	R/W	0	RX_MODE RX MODE 0: PCM IN 1: MIC IN Note: this bit indicate which mode will be selected when PCM IN and MIC IN slots are available simultaneity
8	R/W	0	ASS Audio sample select with TX FIFO under run 0: sending 0 (invalid frame) 1: sending the last audio (valid frame)
7	R/W	0	TXEN 0: Disable 1: Enable
6	R/W	0	RXEN 0: Disable 1: Enable
5	R/W	0	AC-link EN 0: Disable 1: Enable(SYNC signal transfer to Codec)
4	R/W	0	GEN Globe Enable A disable on this bit overrides any other block or channel enables and flushes all FIFOs. 0: Disable 1: Enable
3:2	/	/	/
1	R/W	0	WARM_RST Warm reset 0: Normal 1: Wake up codec from power down Note: Self clear to "0"
0	/	/	/

23.7.2.AC97 Format Register

Offset: 0x04			Register Name: AC_FAT Default Value: 0x0000_0000
Bit	Read/Write	Default	Description



31:9	/	/	/
8:7	R/W	0	TX_AUDIO_MODE TX audio mode 00: 2-channel(PCM l/r main) 01: 6-channel(PCM l/r main, l/r surround, center, AFE) 10: Reserved 11: Reserved
6	R/W	0	DRA_SLOT_SEL DRA additional slots select (available in 2-channel mode) 0: select slot 10, slot 11 1: select slot 7, slot 8
5	R/W	0	DRA_MODE DRA mode 0 : Non-DRA 1 : DRA
4	R/W	0	VRA_MODE VRA Mode 0 : Non-VRA 1 : VRA
3:2	R/W	0	TX_RES TX Audio data resolution 00: 16-bit 01: 18-bit 10: 20-bit 11: Reserved
1:0	R/W	0	RX_RES RX Audio data resolution 00: 16-bit 01: 18-bit 10: 20-bit 11: Reserved

23.7.3.AC97 Codec Command Register

Offset: 0x08			Register Name: AC_CMD Default Value: 0x0000_0000
Bit	Read/Write	Default	Description
31:24	/	/	/
23	R/W	0	OP Read enable 0: Command write 1: Status read



22:16	R/W	0x00	CC_ADDR Codec command address
15:0	R/W	0x0000	CC Codec command data

23.7.4.AC97 Codec Status Register

Offset: 0x0C			Register Name: AC_CS Default Value: 0x0000_0000
Bit	Read/Write	Default	Description
31:23	/	/	/
22:16	R	0x00	CS_ADDR Codec status address
15:0	R	0x0000	CS Codec status data

23.7.5.AC97 TX FIFO Register

Offset: 0x10			Register Name: AC_TXFIFO Default Value: 0x0000_0000
Bit	Read/Write	Default	Description
31:0	W	0	TX_DATA Transmitting left, right channel sample data should be written this register one by one. The left channel sample data is first and then the right channel sample.

23.7.6.AC97 RX FIFO Register

Offset: 0x14			Register Name: AC_RXFIFO Default Value: 0x0000_0000
Bit	Read/Write	Default	Description
31:0	R	0	RX_DATA Host can get one sample by reading this register. If in the PCM IN mode, the left channel sample data is first and then the right channel sample

23.7.7.AC97 FIFO Control Register

Offset: 0x18			Register Name: AC_FCTL Default Value: 0x0000_3078
---------------------	--	--	--



Bit	Read/Write	Default	Description
31:18	/	/	/
17	R/W	0	FTX Write "1" to flush TX FIFO, self clear to "0"
16	R/W	0	FRX Write "1" to flush RX FIFO, self clear to "0"
15:8	R/W	0x30	TXTL TX FIFO empty Trigger Level Interrupt and DMA request trigger level for TX FIFO normal condition Trigger Level = TXTL
7:3	R/W	0x0F	RXTL RX FIFO Trigger Level Interrupt and DMA request trigger level for RX FIFO normal condition Trigger Level = RXTL + 1
2	R/W	0	TXIM TX FIFO Input Mode(Mode0, 1) 0: Valid data at the MSB of AC_TXFIFO register 1: Valid data at the LSB of AC_TXFIFO register Example for 18-bits transmitted audio sample: Mode 0: FIFO_I[19:0] = {TXFIFO[31:14], 2'h0} Mode 1: FIFO_I[19:0] = {TXFIFO[17:0], 2'h0}
1:0	R/W	0	RXOM RX FIFO Output Mode(Mode 0,1,2,3) 00: Expanding "0" at LSB of AC_RXFIFO register 01: Expanding received sample sign bit at MSB of AC_RXFIFO register 10: Truncating received samples at high half-word of AC_RXFIFO register and low half-word of AC_FIFO register is filled by "0" 11: Truncating received samples at low half-word of AC_RXFIFO register and high half-word of AC_FIFO register is expanded by its sign bit Example for 18-bits received audio sample: Mode0: RXFIFO[31:0] = {FIFO_O[19:2], 14'h0} Mode 1: RXFIFO[31:0] = {14'hFIFO_O[19], FIFO_O[19:2]} Mode 2: RXFIFO[31:0] = {FIFO_O[19:4], 16'h0} Mode 3: RXFIFO[31:0] = {16'hFIFO_O[19], FIFO_O[19:4]}

**23.7.8.AC97 FIFO Status Register**

Offset: 0x1C			Register Name: AC_FSTA Default Value: 0x0000_C000
Bit	Read/Write	Default	Description
31:16	/	/	/
15	R	1	TXE TX FIFO Empty 0: No room for new sample in TX FIFO 1: More than one room for new sample in TX FIFO (>=1 word)
14:7	R	0x80	TXE_CNT TX FIFO Empty Space Word counter
6	R	0	RXA RX FIFO Available 0: No available data in RX FIFO 1: More than one sample in RX FIFO (>=1 word)
5:0	R	0	RXA_CNT RX FIFO Available Sample Word counter

23.7.9.AC97 Interrupt Control Register

Offset: 0x20			Register Name: AC_INT Default Value: 0x0000_0000
Bit	Read/Write	Default	Description
31:10	/	/	/
9	R/W	0	CODEC_GPIO_EN Codec GPIO interrupt enable 0: Disable 1: Enable
8	R/W	0	CREN Codec Ready interrupt enable 0: Disable 1: Enable
7	R/W	0	TX_DRQ TX FIFO Empty DRQ Enable 0: Disable 1: Enable
6	R/W	0	TXUI_EN TX FIFO Under run Interrupt Enable 0: Disable



			1: Enable
5	R/W	0	TXOI_EN TX FIFO Overrun Interrupt Enable 0: Disable 1: Enable
4	R/W	0	TXEI_EN TX FIFO Empty Interrupt Enable 0: Disable 1: Enable
3	/	/	/
2	R/W	0	RX_DRQ RX FIFO Data Available DRQ Enable When set to "1", RX FIFO DMA Request is asserted if Data is available in RX FIFO 0: Disable 1: Enable
1	R/W	0	RXOI_EN RX FIFO Overrun Interrupt Enable 0: Disable 1: Enable
0	R/W	0	RXAI_EN RX FIFO Data Available Interrupt Enable 0: Disable 1: Enable

23.7.10. AC97 Interrupt status Register

Offset: 0x24			Register Name: AC_ISTA Default Value: 0x0000_0010
Bit	Read/Write	Default	Description
31:10	/	/	/
9	R/W	0	CODEC_GPIO_INT Codec GPIO interrupt 0: No pending IRQ 1: Codec GPIO interrupt
8	R/W	0	CR_INT Codec Ready pending Interrupt 0: No pending IRQ 1: Codec Ready Pending Interrupt Write "1" to clear this interrupt
7	/	/	/
6	R/W	0	TXU_INT



			TX FIFO Under run Pending Interrupt 0: No pending IRQ 1: FIFO Under run Pending Interrupt Write "1" to clear this interrupt
5	R/W	0	TXO_INT TX FIFO Overrun Pending Interrupt 0: No Pending IRQ 1: FIFO Overrun Pending Interrupt Write "1" to clear this interrupt
4	R/W	1	TXE_INT TX FIFO Empty Pending Interrupt 0: No Pending IRQ 1: FIFO Empty Pending Interrupt Write "1" to clear this interrupt or automatically clear if interrupt condition fails.
3:2	/	/	/
1	R/W	0	RXO_INT RX FIFO Overrun Pending Interrupt 0: FIFO Overrun Pending Write "1" to clear this interrupt
0	R/W	0	RXA_INT RX FIFO Available Pending Interrupt 0: No Pending IRQ 1: Data Available Pending IRQ Write "1" to clear this interrupt or automatically clear if interrupt condition fails

23.7.11. AC97 TX Counter register

Offset: 0x28			Register Name: AC_TX_CNT Default Value: 0x0000_0000
Bit	Read/Write	Default	Description
31:0	R/W	0	TX_CNT TX Sample counter The audio sample number of writing into TX FIFO. When one sample is written by DMA or by host IO, the TX sample counter register increases by one. The TX Counter register can be set to any initial value at any time. After been updated by the initial value, the counter register should count on base of this value.



23.7.12. AC97 RX Counter register

Offset: 0x2C			Register Name: AC_RX_CNT Default Value: 0x0000_0000
Bit	Read/Write	Default	Description
31:0	R/W	0	RX_CNT RX Sample counter The audio sample number of writing into RX FIFO. When one sample is written by Codec, the RX sample counter register increases by one. The RX Counter register can be set to any initial value at any time. After been updated by the initial value, the counter register should count on base of this value.

23.7.13. AC97 Interface Pin list

Port Name	Width	Direction	Description
AC_BIT_CLK	1	IN	Digital Audio Serial Clock provided by Codec
AC_SYNC	1	OUT	Digital Audio Sample rate/sync
AC_MCLK	1	OUT	AC97 Codec Input Mclk
AC_SDATA_IN	1	IN	Digital Audio serial Data Input
AC_SDATA_OUT	1	OUT	Digital Audio serial Data Output

Note: BIT_CLK is provided by AC97 Codec.

23.8. AC97 Clock Requirement

Clock Name	Description	Requirement
apb_clk	APB bus clock	
s_clk	AC97 serial access x1 clock	24.576 MHz or 22.5792 MHz from CCU



24.2. Audio Codec Register List

Module Name	Base Address	
AC	0x01C22C00	

Register Name	Offset	Description
AC_DAC_DPC	0x00	DAC Digital Part Control Register
AC_DAC_FIFOC	0x04	DAC FIFO Control Register
AC_DAC_FIFOS	0x08	DAC FIFO Status Register
AC_DAC_TXDATA	0x0C	DAC TX Data Register
AC_DAC_ACTL	0x10	DAC Analog Control Register
AC_DAC_TUNE	0x14	DAC/ ADC Performance Tuning Register
/	/	/
AC_ADC_FIFOC	0x1C	ADC FIFO Control Register
AC_ADC_FIFOS	0x20	ADC FIFO Status Register
AC_ADC_RXDATA	0x24	ADC RX Data Register
AC_ADC_ACTL	0x28	ADC Analog Control Register
/	/	/
AC_DAC_CNT	0x30	DAC TX FIFO Counter Register
AC_ADC_CNT	0x34	ADC RX FIFO Counter Register

24.2.1.DAC Digital Part Control Register

Offset: 0x00			Register Name: AC_DAC_DPC
Bit	Read/Write	Default	Description
31	R/W	0x0	EN_DA. DAC Digital Part Enable 0: Disable 1: Enable
30:29	/	/	/
11:0	/	/	/

24.2.2.DAC FIFO Control Register

Offset: 0x4			Register Name: AC_DAC_FIFOC
Bit	Read/Write	Default	Description
31:29	R/W	0x0	DAC_FS. Sample Rate of DAC 000: 48KHz 010: 24KHz 100: 12KHz



			110: 192KHz 001: 32KHz 011: 16KHz 101: 8KHz 111: 96KHz 44.1KHz/22.05KHz/11.025KHz can be supported by Audio PLL Configure Bit
27	/	/	/
26	R/W	0x0	SEND_LASAT. Audio sample select when TX FIFO under run 0: Sending zero 1: Sending last audio sample
25:24	R/W	0x0	FIFO_MODE. When TXMODE = 0: For 24-bits transmitted audio sample: 00/10: FIFO_I[23:0] = {TXDATA[31:8]} 01/11: Reserved For 16-bits transmitted audio sample: 00/10: FIFO_I[23:0] = {TXDATA[31:16], 8'b0} 01/11: FIFO_I[23:0] = {TXDATA[15:0], 8'b0} When TXMODE = 1: (Only 16-bit sample supported) 00:FIFO_I_0[15:0] = TXDATA[31:16] 01:FIFO_I_0[15:0] = TXDATA[15:0] 10:FIFO_I_0[15:0] = TXDATA[31:16] FIFO_I_1[15:0] = TXDATA[15:0] 11:FIFO_I_0[15:0] = TXDATA[15:0] FIFO_I_1[15:0] = TXDATA[31:16]
23	R/W	0x0	TX_MODE. TX FIFO Mode 0: 24x128 1: 16x20x1024
22:21	R/W	0x0	DAC_DRQ_CLR_CNT. When TX FIFO available room less than or equal N, DRQ Request will be de-asserted. N is defined here: 00: IRQ/DRQ Deasserted when WLEVEL > TXTL 01: 4 10: 8 11: 16
20:8	R/W	0xF	TX_TRIG_LEVEL. TX FIFO Empty Trigger Level (TXTL[12:0]) Interrupt and DMA request trigger level for TX FIFO normal condition. IRQ/DRQ Generated when WLEVEL ≤ TXTL



			Notes: 1. WLEVEL represents the number of valid samples in the TX FIFO 2. Only TXTL[6:0] valid when TXMODE = 0
6	R/W	0x0	DAC_MONO_EN. DAC Mono Enable 0: Stereo, 64 levels FIFO 1: mono, 128 levels FIFO When enabled, L & R channel send same data
5	R/W	0x0	TX_SAMPLE_BITS. Transmitting Audio Sample Resolution 0: 16 bits 1: 24 bits
4	R/W	0x0	DAC_DRQ_EN. DAC FIFO Empty DRQ Enable 0: Disable 1: Enable
3	R/W	0x0	DAC_IRQ_EN. DAC FIFO Empty IRQ Enable 0: Disable 1: Enable
2	R/W	0x0	FIFO_UNDERRUN_IRQ_EN. DAC FIFO Under Run IRQ Enable 0: Disable 1: Enable
1	R/W	0x0	FIFO_OVERRUN_IRQ_EN. DAC FIFO Over Run IRQ Enable 0: Disable 1: Enable
0	R/W	0x0	FIFO_FLUSH. DAC FIFO Flush Write '1' to flush TX FIFO, self clear to '0'

24.2.3.DAC FIFO Status Register

Offset: 0x8			Register Name: AC_DAC_FIFOS
Bit	Read/Write	Default	Description
31:24	/	/	/
23	R	0x1	TX_EMPTY. TX FIFO Empty 0: No room for new sample in TX FIFO 1: More than one room for new sample in TX FIFO (≥ 1)



			word)
22:8	R	0x80	TXE_CNT. TX FIFO Empty Space Word Counter
7:4	/	/	/
3	R/W	0x1	TXE_INT. TX FIFO Empty Pending Interrupt 0: No Pending IRQ 1: FIFO Empty Pending Interrupt Write '1' to clear this interrupt or automatic clear if interrupt condition fails.
2	R/W	0x0	TXU_INT. TX FIFO Under run Pending Interrupt 0: No Pending Interrupt 1: FIFO Under run Pending Interrupt Write '1' to clear this interrupt
1	R/W	0x0	TXO_INT. TX FIFO Overrun Pending Interrupt 0: No Pending Interrupt 1: FIFO Overrun Pending Interrupt Write '1' to clear this interrupt
0	/	/	/

24.2.4.DAC TX DATA register

Offset: 0xC			Register Name: AC_DAC_TXDATA
Bit	Read/Write	Default	Description
31:0	W	0x0	TX_DATA. Transmitting left, right channel sample data should be written this register one by one. The left channel sample data is first and then the right channel sample.

24.2.5.DAC Analog Control Register

Offset:0x10			Register Name: AC_DAC_ACTRL
Bit	R/W	Default	Description
31	R/W	0x0	DACAREN. Internal DAC Analog Right channel Enable 0:Disable 1:Enable
30	R/W	0x0	DACALEN. Internal DAC Analog Left channel Enable 0:Disable



			1:Enable
29	R/W	0x0	MIXEN. Analog Output MP Enable 0:Disable 1:Enable
28:27	/	/	/
26	R/W	0x1	LNG. Line-in gain stage to output MP Gain Control 0: -1.5dB 1: 0dB
25:23	R/W	0x3	FMG. FM Input to output MP Gain Control From -4.5dB to 6dB, 1.5dB/step, default is 0dB
22:20	R/W	0x3	MICG. MIC1/2 gain stage to output MP Gain Control From -4.5dB to 6dB, 1.5dB/step, default is 0dB
19	R/W	0x0	LLNS. Left LINEIN gain stage to left output MP mute 0-mute; 1-Not mute When LNRDF is 0, left select LINEINL When LNRDF is 1, left select LINEINL-LINEINR
18	R/W	0x0	RLNS. Right LINEIN gain stage to right output MP mute 0-mute; 1-Not mute When LNRDF is 0, right select LINEINR When LNRDF is 1, right select LINEINL-LINEINR
17	R/W	0x0	LFMS. Left FM to left output MP mute 0:mute 1:Not mute
16	R/W	0x0	RFMS. right FM to right output MP mute 0:mute 1:Not mute
15	R/W	0x0	LDACLMIXS. Left DAC to left output MP Mute 0:Mute 1:Not mute
14	R/W	0x0	RDACRMIXS. Right DAC to right output MP Mute 0:Mute 1:Not mute
13	R/W	0x0	LDACRMIXS.



			Left DAC to right output MP Mute, 0:Mute 1:Not mute
12	R/W	0x0	MIC1LS. MIC1 to output MP left channel mute 0: mute 1: Not mute
11	R/W	0x0	MIC1RS. MIC1 to output MP right channel mute 0: mute 1: Not mute
10	R/W	0x0	MIC2LS. MIC2 to output MP left channel mute 0: mute 1: Not mute
9	R/W	0x0	MIC2RS. MIC2 to output MP right channel mute 0: mute 1: Not mute
8	R/W	0x0	DACPAS. DAC to PA Mute 0-Mute 1-Not mute
7	R/W	0x0	MIXPAS. Output MP to PA mute 0: Mute 1: Not mute
6	R/W	0x0	PAMUTE. All input source to PA mute, including Output MP and Internal DAC, (): 0:Mute 1: Not mute
5:0	R/W	0x0	PAVOL. PA Volume Control, (PAVOL): Total 64 level, from 0dB to -62dB, 1dB/step, mute when 000000

24.2.6.ADC FIFO Status Register

Offset: 0x20			Register Name: AC_ADC_FIFOS
Bit	Read/Write	Default	Description
31:24	/	/	/
23	R	0x0	RXA. RX FIFO Available



			0: No available data in RX FIFO 1: More than one sample in RX FIFO (>= 1 word)
22:14	/	/	/
13:8	R	0x0	RXA_CNT. RX FIFO Available Sample Word Counter
7:4	/	/	/
3	R/W	0x0	RXA_INT. RX FIFO Data Available Pending Interrupt 0: No Pending IRQ 1: Data Available Pending IRQ Write '1' to clear this interrupt or automatic clear if interrupt condition fails.
2	/	/	/
1	R/W	0x0	RXO_INT. RX FIFO Overrun Pending Interrupt 0: No Pending IRQ 1: FIFO Overrun Pending IRQ Write '1' to clear this interrupt
0	/	/	/

24.2.7.ADC RX DATA register

Offset: 0x24			Register Name: AC_ADC_RXDATA Default Value: 0x0000_0000
Bit	Read/Write	Default	Description
31:0	R	0x0	RX_DATA. RX Sample Host can get one sample by reading this register. The left channel sample data is first and then the right channel sample.

24.2.8.ADC Analog Control Register

Offset:0x28			Register Name: AC_PA_ADC_ACTRL
Bit	R/W	Default	Description
31	R/W	0x0	ADCREN. ADC Right Channel Enable 0-Disable 1-Enable
30	R/W	0x0	ADCLEN. ADC Left Channel Enable 0-Disable



			1-Enable
29	R/W	0x0	PREG1EN. MIC1 pre-amplifier Enable 0-Disable 1-Enable
28	R/W	0x0	PREG2EN. MIC2 pre-amplifier Enable 0-Disable 1-Enable
27	R/W	0x0	VMICEN. VMIC pin voltage enable 0: disable 1: enable
26:25	R/W	0x2	PREG1. MIC1 pre-amplifier Gain Control 00: 0dB 01: 35dB 10: 38dB 11: 41dB
24:23	R/W	0x2	PREG2. MIC2 pre-amplifier Gain Control 00: 0dB 01: 35dB 10: 38dB 11: 41dB
22:20	R/W	0x3	ADCG. ADC Input Gain Control 000: -4.5dB 001: -3dB 010: -1.5dB 011: 0dB 100: 1.5dB 101: 3dB 110: 4.5dB 111: 6dB
19:17	R/W	0x2	ADCIS. ADC input source select 000: left select LINEINL, right select LINEINR; or, both select LINEINL-LINEINR, depending on LNRDF (bit 16) 001: left channel select FMINL & right channel select FMINR 010: left and right channel both select MIC1 gain stage output 011: left and right channel both select MIC2 gain stage output 100: left select MIC1 gain stage output & right select MIC2



			gain stage output 101: left and right both select MIC1 gain stage plus MIC2 gain stage output 110: left select output MP L & right select output MP right 111: left select LINEINL or LINEINL-LINEINR, depending on LNRDF (bit 16), right select MIC1 gain stage
16	R/W	0x0	LNRDF. Line-in-r function define 0: Line-in right channel which is independent of line-in left channel 1: negative input of line-in left channel for fully differential application
15:13	R/W	0x4	LNPREG. Line-in pre-amplifier Gain Control From -12dB to 9dB, 3dB/step, default is 0dB
12	R/W	0x0	MIC1NEN. Mic1outn enable 0: disable 1: enable
11:9	/	/	/
5	/	/	/
4	R/W	0x0	PA_EN. PA Enable 0-disable 1-enable
3	R/W	0x1	DDE. Headphone direct-drive enable, (DDE): 0-disable 1-enable
2	R/W	0x1	COMPTEN. HPCOM output protection enable 0: protection disable 1: protection enable
1:0	R/W	0x0	PTDBS. HPCOM protect de-bounce time setting 00: 2-3ms 01: 4-6ms 10: 8-12ms 11: 16-24ms

**24.2.9.DAC TX Counter register**

Offset: 0x30			Register Name: AC_DAC_CNT
Bit	Read/Write	Default	Description
31:0	R/W	0x0	<p>TX_CNT. TX Sample Counter</p> <p>The audio sample number of sending into TXFIFO. When one sample is put into TXFIFO by DMA or by host IO, the TX sample counter register increases by one. The TX sample counter register can be set to any initial value at any time. After been updated by the initial value, the counter register should count on base of this initial value.</p> <p>Notes: It is used for Audio/ Video Synchronization</p>

24.2.10. ADC RX Counter register

Offset: 0x34			Register Name: AC_ADC_CNT
Bit	Read/Write	Default	Description
31:0	R/W	0x0	<p>RX_CNT. RX Sample Counter</p> <p>The audio sample number of writing into RXFIFO. When one sample is written by Digital Audio Engine, the RX sample counter register increases by one. The RX sample counter register can be set to any initial value at any time. After been updated by the initial value, the counter register should count on base of this initial value.</p> <p>Notes: It is used for Audio/ Video Synchronization</p>

25. LRADC

25.1. Overview

LRADC is 6-bits resolution for key application. The LRADC can work up to maximum conversion rate of 250Hz.

The LRADC is featured as following:

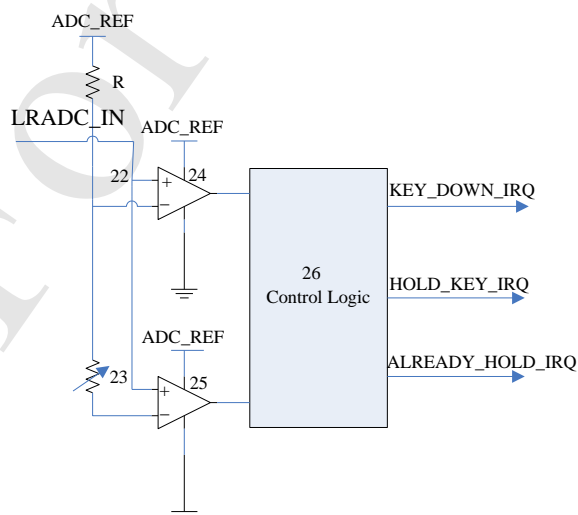
- Support APB 32-bits bus width
- Support Interrupt
- Support Hold Key and General Key
- Support Single Key and continue key mode
- 6-bits Resolution
- Voltage input range between 0 to 2V
- Sample Rate up to 250Hz

25.2. Principle of operation

25.2.1. Block Diagram

The LRADC converted data can be accessed by interrupt and polling method. If software can't access the last converted data instantly, the new converted data would update the old one at new sampling data.

25.2.2. Key Function Introduction





When ADC_IN Signal change from ADC_REF to 2/3 ADC_REF (Level A), the comparator24 send first interrupt to control logic; When ADC_IN Signal change from 2/3 ADC_REF to certain level (Program can set), the comparator25 give second interrupt. If the control Logic get the first interrupt, In a certain time range (program can set), doesn't get second interrupt, it will send hold key interrupt to the host; If the control Logic get the first interrupt, In a certain time range (program can set), get second interrupt, it will send key down interrupt to the host; If the control logic only get the second interrupt, doesn't get the first interrupt, it will send already hold interrupt to the host.

25.3. LRADC Register List

Module Name	Base Address
LRADC	0x01C22800

Register Name	Offset	Description
LRADC_CTRL	0x00	LRADC Control Register
LRADC_INTC	0x04	LRADC Interrupt Control Register
LRADC_INTS	0x08	LRADC Interrupt Status Register
LRADC_DATA0	0x0c	LRADC Data Register 0
LRADC_DATA1	0x10	LRADC Data Register 1

25.3.1.LRADC Control Register

Offset: 0x00			Register Name: LRADC_CTRL
Bit	Read/ Write	Default /Hex	Description
31:24	R/W	0x1	FIRST_CONCERT_DLY. ADC First Convert Delay setting, ADC conversion is delayed by n samples
23:22	R/W	0x0	ADC_CHAN_SELECT. ADC channel select 00: ADC0 channel 01: ADC1 channel 1x: ADC0&ADC1 channel
21:20	/	/	/
19:16	R/W	0x0	CONTINUE_TIME_SELECT. Continue Mode time select, one of 8*(N+1) sample as a valuable sample data
15:14	/	/	/
13:12	R/W	0x0	KEY_MODE_SELECT.



			Key Mode Select: 00: Normal Mode 01: Single Mode 10: Continue Mode
11:8	R/W	0x1	LEVELA_B_CNT. Level A to Level B time threshold select, judge ADC convert value in level A to level B in n+1 samples
7	/	/	/
6	R/W	0x1	LRADC_HOLD_EN. LRADC Sample hold Enable 0: Disable 1: Enable
5: 4	R/W	0x2	LEVELB_VOL. Level B Corresponding Data Value setting (the real voltage value) 00: 0x3C (~1.9v) 01: 0x39 (~1.8v) 10: 0x36 (~1.7v) 11: 0x33 (~1.6v)
3: 2	R/W	0x2	LRADC_SAMPLE_RATE. LRADC Sample Rate 00: 250 Hz 01: 125 Hz 10: 62.5 Hz 11: 32.25 Hz
1	/	/	/
0	R/W	0x0	LRADC_EN. LRADC enable 0: Disable 1: Enable

25.3.2.LRADC Interrupt Control Register

Offset: 0x04			Register Name: LRADC_INTC
Bit	Read/ Write	Default /Hex	Description
31:16	/	/	/
12	R/W	0x0	ADC1_KEYUP_IRQ_EN. ADC 1 Key Up IRQ Enable 0: Disable 1: Enable
11	R/W	0x0	ADC1_ALRDY_HOLD_IRQ_EN. ADC 1 Already Hold Key IRQ Enable



			0: Disable 1: Enable
10	R/W	0x0	ADC 1 Hold Key IRQ Enable 0: Disable 1: Enable
9	R/W	0x0	ADC1_KEYIRQ_EN. ADC 1 Key IRQ Enable 0: Disable 1: Enable
8	R/W	0x0	ADC1_DATA_IRQ_EN. ADC 1 DATA IRQ Enable 0: Disable 1: Enable
7:5	/	/	/
4	R/W	0x0	ADC0_KEYUP_IRQ_EN. ADC 0 Key Up IRQ Enable 0: Disable 1: Enable
3	R/W	0x0	ADC0_ALRDY_HOLD_IRQ_EN. ADC 0 Already Hold IRQ Enable 0: Disable 1: Enable
2	R/W	0x0	ADC0_HOLD_IRQ_EN. ADC 0 Hold Key IRQ Enable 0: Disable 1: Enable
1	R/W	0x0	ADC0_KEYDOWN_EN ADC 0 Key Down Enable 0: Disable 1: Enable
0	R/W	0x0	ADC0_DATA_IRQ_EN. ADC 0 Data IRQ Enable 0: Disable 1: Enable

25.3.3.LRADC Interrupt Status Register

Offset: 0x08			Register Name: LRADC_INT
Bit	Read/ Write	Default /Hex	Description
31:8	/	/	/
12		0x0	ADC1_KEYUP_PENDING.



			<p>ADC 1 Key up pending Bit</p> <p>When general key pull up, it the corresponding interrupt is enabled.</p> <p>0: No IRQ</p> <p>1: IRQ Pending</p> <p>Notes: Writing 1 to the bit will clear it and its corresponding interrupt if the interrupt is enable</p>
11	R/W	0x0	<p>ADC1_ALRDY_HOLD_PENDING.</p> <p>ADC 1 Already Hold Pending Bit</p> <p>When hold key pull down and pull the general key down, if the corresponding interrupt is enabled.</p> <p>0: No IRQ</p> <p>1: IRQ Pending</p> <p>Notes: Writing 1 to the bit will clear it and its corresponding interrupt if the interrupt is enable</p>
10	R/W	0x0	<p>ADC1_HOLDKEY_PENDING.</p> <p>ADC 1 Hold Key pending Bit</p> <p>When Hold key pull down, the status bit is set and the interrupt line is set if the corresponding interrupt is enabled.</p> <p>0: NO IRQ</p> <p>1: IRQ Pending</p> <p>Notes: Writing 1 to the bit will clear it and its corresponding interrupt if the interrupt is enable.</p>
9	R/W	0x0	<p>ADC1_KEYDOWN_IRQ_PENDING.</p> <p>ADC 1 Key Down IRQ Pending Bit</p> <p>When General key pull down, the status bit is set and the interrupt line is set if the corresponding interrupt is enabled.</p> <p>0: No IRQ</p> <p>1: IRQ Pending</p> <p>Notes: Writing 1 to the bit will clear it and its corresponding interrupt if the interrupt is enable.</p>
8	R/W	0x0	<p>ADC1_DATA_IRQ_PENDING.</p> <p>ADC 1 Data IRQ Pending Bit</p> <p>0: No IRQ</p> <p>1: IRQ Pending</p> <p>Notes: Writing 1 to the bit will clear it and its corresponding interrupt if the interrupt is enable.</p>
7:5	/	/	/
4	R/W	0x0	<p>ADC0_KEYUP_PENDING.</p> <p>ADC 0 Key up pending Bit</p> <p>When general key pull up, it the corresponding interrupt is enabled.</p> <p>0: No IRQ</p> <p>1: IRQ Pending</p> <p>Notes: Writing 1 to the bit will clear it and its corresponding interrupt</p>



			if the interrupt is enable
3	R/W	0x0	ADC0_ALRDY_HOLD_PENDING. ADC 0 Already Hold Pending Bit When hold key pull down and pull the general key down, if the corresponding interrupt is enabled. 0: No IRQ 1: IRQ Pending Notes: Writing 1 to the bit will clear it and its corresponding interrupt if the interrupt is enable
2	R/W	0x0	ADC0_HOLDKEY_PENDING. ADC 0 Hold Key pending Bit When Hold key pull down, the status bit is set and the interrupt line is set if the corresponding interrupt is enabled. 0: NO IRQ 1: IRQ Pending Notes: Writing 1 to the bit will clear it and its corresponding interrupt if the interrupt is enable.
1	R/W	0x0	ADC0_KEYDOWN_PENDING. ADC 0 Key Down IRQ Pending Bit When General key pull down, the status bit is set and the interrupt line is set if the corresponding interrupt is enabled. 0: No IRQ 1: IRQ Pending Notes: Writing 1 to the bit will clear it and corresponding interrupt if the interrupt is enabled.
0	R/W	0x0	ADC0_DATA_PENDING. ADC 0 Data IRQ Pending Bit 0: No IRQ 1: IRQ Pending Notes: Writing 1 to the bit will clear it and its corresponding interrupt if the interrupt is enable.

25.3.4.LRADC Data 0 Register

Offset: 0x0c			Register Name: LRADC_DATA
Bit	Read/ Write	Default /Hex	Description
31:6	/	/	/
5:0	R	0x0	LRADC0_DATA. LRADC 0 Data



25.3.5.LRADC Data 1 Register

Offset: 0x10			Register Name: LRADC_DATA
Bit	Read/ Write	Default /Hex	Description
31:6	/	/	/
5:0	R	0x0	LRADC1_DATA. LRADC 1 Data



26. TP Controller

26.1. Overview

The TP controller can be configured either as a 4-wire resistive touch screen controller or a 12-bit resolution A/D converter. As a 4-wire resistive touch screen controller, it supports dual touch detection. As an A/D converter, it can locate of single touch through two times of A/D conversion.

The TP controller is featured as following:

- 12 bit SAR type A/D converter
- 4-wire I/F
- Dual Touch Detection
- Touch-pressure measurement (Support program set threshold)
- Sampling frequency: 2MHz (max)
- Support both Single-Ended and Ratiometric Conversion of Touch Screen Inputs
- TACQ up to 262ms
- Support Median and averaging filter which can reduce noise
- Pen down detection, with programmable sensitivity
- Support X, Y change function

26.2. Typical Application Circuit

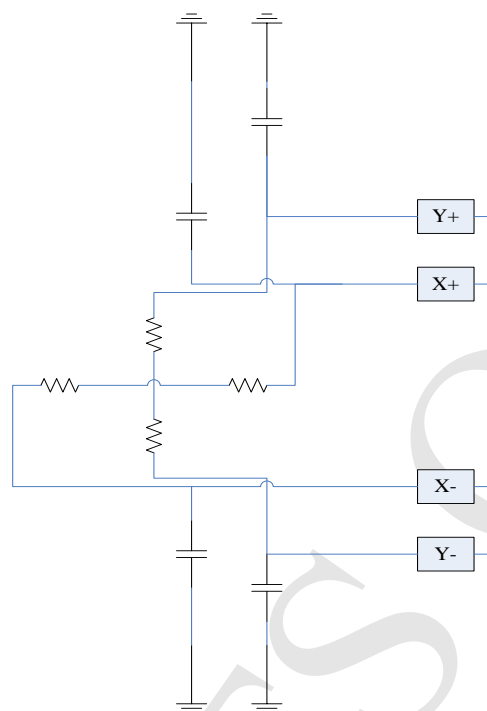


Figure 26-1. Typical Application Circuit

26.3. TP Register List

Module Name	Base Address
TP	0x01C25000

Register Name	Offset	Description
TP_CTRL0	0x00	TP Control Register0
TP_CTRL1	0x04	TP Control Register1
TP_CTRL2	0x08	TP Control Register2
TP_CTRL3	0x0c	TP Control Register3
TP_INT_FIFOC	0x10	TP Interrupt FIFO Control Register
TP_INT_FIFOS	0x14	TP Interrupt FIFO Status Register
TP_TPR	0x18	TP Temperature Period Register
TEMP_DATA	0x1c	Temperature Data Register
TP_DATA	0x20	TP Data Register

26.3.1. TP Control Register 0

Offset: 0x00	Register Name: TP_CTRL
--------------	------------------------



Bit	Read/Write	Default/Hex	Description
31:24	R/W	0xF	ADC_FIRST_DLY. ADC First Convert Delay setting Based on ADC First Convert Delay Mode select
23	R/W	0x1	ADC_FIRST_DLY_MODE. ADC First Convert Delay Mode Select 0: CLK_IN/16 1: CLK_IN/16*256
22	R/W	0x0	ADC_CLK_SELECT. ADC Clock Source Select: 0: HOSC(24MHZ) 1: Audio PLL
21:20	R/W	0x0	ADC_CLK_DIVIDER. ADC Clock Divider(CLK_IN) 00: CLK/2 01: CLK/3 10: CLK/6 11: CLK/1 In TP mode, these two bits must set 1x
19:16	R/W	0x0	FS_DIV. ADC Sample Frequency Divider 0000: CLK_IN/2 ⁽²⁰⁻ⁿ⁾ 0001: CLK_IN/2 ⁽²⁰⁻ⁿ⁾ 0010: CLK_IN/2 ⁽²⁰⁻ⁿ⁾ 1111: CLK_IN/32
15 :0	R/W	0x0	T_ACQ. Touch panel ADC acquire time CLK_IN/(16*(N+1))

26.3.2.TP control Register 1

Offset: 0x04			Register Name: TP_CTRL1
Bit	Read/Write	Default/Hex	Description
31:20	/	/	/
19:12	R/W	0x0	STYLUS_UP_DEBOUNCE. Stylus Up De-bounce Time setting 0x00: 0 0xff: 2N*(CLK_IN/16*256)



11:10	/	/	/
9	R/W	0x0	STYLUS_UP_DEBOUCE_EN. Stylus Up De-bounce Function Select 0: Disable 1: Enable
8:7	/	/	/
6	R/W	0x0	TOUCH_PAN_CALI_EN. Touch Panel Calibration 1: start Calibration, it is clear to 0 after calibration
5	R/W	0x0	TP_DUAL_EN. Touch Panel Double Point Enable 0: Disable 1: Enable
4	R/W	0x0	TP_MODE_EN. Tp Mode Function Enable 0: Disable 1: Enable
3	R/W	0x0	TP_ADC_SELECT. Touch Panel and ADC Select 0: TP 1: ADC
2:0	R/W	0x0	ADC_CHAN_SELECT. Analog input channel Select In Normal mode: 000: X1 channel 001: X2 Channel 010: Y1 Channel 011: Y2 Channel 1xx : 4-channel robin-round FIFO Access Mode,based on this setting. Selecting one channel, FIFO will access that channel data; Selecting four channels FIFO will access each channel data in successive turn, first is X1 data.

26.3.3. TP control Register 2

Offset: 0x08			Register Name: TP_CNT2
Bit	Read/ Write	Default /Hex	Description
31:28	R/W	0x8	TP_SENSITIVE_ADJUST. Internal Pull-up Resistor Control 0000 least sensitive 0011



			1111 most sensitive Note: Used to adjust sensitivity of pen down detection
27:26	R/W	0x0	TP_MODE_SELECT. TP Mode Select 00: FIFO store X,Y data with Z-filter 01: FIFO store X,Y, ΔX, ΔY data with Z-filter 10: FIFO store X,Y, X2,Y2 data with Z-filter 11: Reserved
25	/	/	/
24	R/W	0x0	PRE_MEA_EN. TP Pressure Measurement Enable Control 0: Disable 1: Enable
23:0	R/W	0xFFFF	PRE_MEA_THRE_CNT. TP Pressure Measurement threshold Control Notes: 0x000000: least sensitive 0xFFFFFFFF: most sensitive Note: used to adjust sensitivity of touch

26.4. Median filter Control Register

Offset: 0x0c			Register Name: TP_CTRL3
Bit	Read/ Write	Default /Hex	Description
31:3	/	/	/
2	R/W	0x0	FILTER_EN. Filter Enable 0: Disable 1: Enable
1:0	R/W	0x1	FILTER_TYPE. Filter Type 00: 4/2 01: 5/3 10: 8/4 11: 16/8

26.4.1. TP Interrupt & FIFO Control Register

Offset: 0x10			Register Name: TP_INT
Bit	Read/ Write	Default	Description



	Write	/Hex	0x0000_0F00
31:19	/	/	/
18	R/W	0x0	
17	R/W	0x0	TP_OVERRUN_IRQ_EN. TP FIFO Over Run IRQ Enable 0: Disable 1: Enable
16	R/W	0x0	TP_DATA_IRQ_EN. TP FIFO Data Available IRQ Enable 0: Disable 1: Enable
15:14	/	/	/
13	R/W	0x0	TP_DATA_XY_CHANGE. TP FIFO X,Y Data interchange Function Select 0: Disable 1: Enable
12:8	R/W	0xF	TP_FIFO_TRIG_LEVEL. TP FIFO Data Available Trigger Level Interrupt and DMA request trigger level for TP or Auxiliary ADC Trigger Level = TXTL + 1
7	R/W	0x0	TP_DATA_DRQ_EN. TP FIFO Data Available DRQ Enable 0: Disable 1: Enable
6:5	/	/	/
4	R/W	0x0	TP_FIFO_FLUSH. TP FIFO Flush Write '1' to flush TX FIFO, self clear to '0'
3:2	/	/	/
1	R/W	0x0	TP_UP_IRQ_EN. Touch Panel Last Touch (Stylus Up) IRQ Enable 0: Disable 1: Enable
0	R/W	0x0	TP_DOWN_IRQ_EN. Touch Panel First Touch (Stylus Down) IRQ Enable 0: Disable 1: Enable

26.4.2. TP Interrupt & FIFO Status Register

Offset: 0x14			Register Name: TP_FIFOCS
Bit	Read/	Default	Description



	Write	/Hex	
31:19	/	/	/
18	R/W	0x0	
17	R/W	0x0	FIFO_OVERRUN_PENDING. TP FIFO Over Run IRQ pending 0: No Pending IRQ 1: FIFO Overrun Pending IRQ Write '1' to clear this interrupt or automatic clear if interrupt condition fails
16	R/W	0x0	FIFO_DATA_PENDING. TP FIFO Data Available pending Bit 0: NO Pending IRQ 1: FIFO Available Pending IRQ Write '1' to clear this interrupt or automatic clear if interrupt condition fails
15:13	/	/	/
12:8	R	0x0	RXA_CNT. TP FIFO available Sample Word Counter
7:3	/	/	/
2	R	0x0	TP_IDLE_FLG. Touch Panel Idle Flag 0: idle 1: not idle
1	R/W	0x0	TP_UP_PENDING. Touch Panel Last Touch (Stylus Up) IRQ Pending bit 0: No IRQ 1: IRQ Notes: Writing 1 to the bit will clear it and its corresponding interrupt if the interrupt is enable.
0	R/W	0x0	TP_DOWN_PENDING. Touch Panel First Touch (Stylus Down) IRQ Pending bit 0: No IRQ 1: IRQ Notes: Writing 1 to the bit will clear it and its corresponding interrupt if the interrupt is enable.

26.4.3. Common Data Register

Offset: 0x1c			Register Name: TP_CDAT
Bit	Read/ Write	Default /Hex	Description
31:12	/	/	/



11:0	R/W	0x0	TP_CDAT. TP Common Data
------	-----	-----	----------------------------

FOR WITTS ONLY



27. Keypad Interface

27.1. Overview

The Key Pad Interface block in A10 facilitates communication with external keypad devices. The ports can provide up to 8 rows and 8 columns. The events of key press or key release are delivered to the CPU by an interrupt. To prevent the switching noises, keypad interface comprise of internal debouncing filter.

The Keypad Interface includes the following features:

- Interrupt for key press or key release
- Internal debouncing filter to prevent the switching noises

27.2. Keypad Interface Register List

Module Name	Base Address	
KP	0x01C23000	

Register Name	Offset	Description
KP_CTL	0x00	Keypad Control Register
KP_TIMING	0x04	Keypad Timing Parameter Register
KP_INT_CFG	0x08	Keypad Interrupt Configure Register
KP_INT_STA	0x0C	Keypad Interrupt Status Register
KP_IN0	0x10	Keypad Row Input Data Register 0
KP_IN1	0x14	Keypad Row Input Data Register 1

27.3. Keypad Interface Register Description

27.3.1. Keypad Control Register

Offset: 0x00			Register Name: KP_CTL Default Value: 0x0000_0000
Bit	Read/Write	Default	Description
31:24	/	/	/
23:16	R/W	0	ROW_INPUT_MSK



			Keypad Row Input Mask When set to '1', the corresponding input is masked.
15:8	R/W	0	Keypad Column Output Mask When set to '1', the corresponding output is masked.
7:1	/	/	/
0	R/W	0	IF_ENB Keypad Interface enable 0: Disable 1: Enable

27.3.2. Keypad Timing Register

Offset: 0x04			Register Name: KP_TIMING Default Value: 0x0200_0100
Bit	Read/Write	Default	Description
31:16	R/W	0x200	DBC_CYCLE Keypad Debounce Clock Cycle n It is used for filter switching noises. When row input is low level, the Keypad Interface would delay (n+1) clock to check whether it is still keeping on low level. If it is true, the Keypad Interface would scan the external keypad's state and get these state into internal registers. After scan, the interrupt is generated if enabled. Notes: The value below 0x10 can't be used.
15:0	R/W	0x100	SCAN_CYCLE Keypad Scan Period Clock Cycle n When the Keypad Interface is enabled, it would scan the external keypad in period. The period time is 8*(n+1)/kp_clk. The kp_clk is input clock for Keypad Interface from CCM. Notes: The value below 0x10 can't be used.

27.3.3. Keypad Interrupt Configure Register

Offset: 0x08			Register Name: KP_INT_CFG Default Value: 0x0000_0000
Bit	Read/Write	Default	Description
31:2	/	/	/
1	R/W	0	REDGE_INT_EN Keypad input rising edge (key release) interrupt enable 0: Disable 1: Enable



0	R/W	0	FEDGE_INT_EN Keypad input falling edge (key press) interrupt enable 0: Disable 1: Enable
---	-----	---	---

27.3.4. Keypad Interrupt Status Register

Offset: 0x0C			Register Name: KP_INT_STA Default Value: 0x0000_0000
Bit	Read/Write	Default	Description
31:2	/	/	/
1	R/W	0	REDGE_FLAG Keypad input rising edge (key release) interrupt status When it is '1', the key released interrupt occurred. The interrupt is cleared when write '1'.
0	R/W	0	FEDGE_FLAG Keypad input falling edge (key press) interrupt status When it is '1', the corresponding pressed interrupt occurred. The interrupt is cleared when write '1'.

27.3.5. Keypad Input Data Register 0

Offset: 0x10			Register Name: KP_IN0 Default Value: 0xffff_ffff
Bit	Read/Write	Default	Description
[8i+7:8i] (i=0~3)	R/W	0xff	COL_STA0 Keypad row input byte for column n scan (n from 0 to 3)

27.3.6. Keypad Input Data Register 1

Offset: 0x14			Register Name: KP_IN1 Default Value: 0xffff_ffff
Bit	Read/Write	Default	Description
[8i+7:8i] (i=0~3)	R/W	0xff	COL_STA1 Keypad row input byte for column n scan (n from 4 to 7)

27.4. Keypad Interface Pin List

Port Name	Width	Direction	Description
-----------	-------	-----------	-------------



KP_OUT	8	OUT	Keypad Interface Column data
KP_IN	8	IN	Keypad Interface Row data

FOR WTTTS ONLY



28. Security System

28.1. Overview

The Security System (SS) is one encryption/ decryption function accelerator. It supports both CPU mode and DMA mode for different application.

It includes the following features:

- Support AES, DES, 3DES, SHA-1, MD5
- ECB, CBC, CNT modes for AES/DES/3DES
- 128-bits, 192-bits and 256-bits key size for AES
- 160-bits hardware PRNG with 192-bits seed
- 32-words RX FIFO and 32-words TX FIFO for high speed application
- Support both CPU mode and DMA mode
- Support Interrupt



29. Security ID

29.1. Overview

There is one on chip EFUSE, which provides 128-bit, 64-bit and one 32-bit electrical fuses for security application. The user can use them as root key, security JTAG key and other purpose vendors configuration application.

It includes the following features:

- 128-bit electrical fuses for root key

29.2. Security ID Register List

Module Name	Base Address
SID	0x01C23800

Register Name	Offset	Description
SID_RKEY0	0x00	Root Key[31:0]
SID_RKEY1	0x04	Root Key[63:32]
SID_RKEY2	0x08	Root Key[95:64]
SID_RKEY3	0x0c	Root Key[127:96]

29.3. SID Register Description

29.3.1.SID Root Key 0 Register

Offset: 0x00			Register Name: SID_RKEY0 Default Value: 0xXXXX_XXXX
Bit	Read/Write	Default	Description
31:0	R	x	ROOT_KEY Securiy root key[31:0]

29.3.2.SID Root Key 1 Register

Offset: 0x04	Register Name: SID_RKEY1 Default Value: 0xXXXX_XXXX
--------------	--



Bit	Read/Write	Default	Description
31:0	R	x	ROOT_KEY Securiy root key[63:32]

29.3.3.SID Root Key 2 Register

Offset: 0x08			Register Name: SID_RKEY2 Default Value: 0xXXXX_XXXX
Bit	Read/Write	Default	Description
31:0	R	x	ROOT_KEY Securiy root key[95:64]

29.3.4.SID Root Key 3 Register

Offset: 0x0c			Register Name: SID_RKEY3 Default Value: 0xXXXX_XXXX
Bit	Read/Write	Default	Description
31:0	R	x	ROOT_KEY Securiy root key[127:96]



30. Port Controller

30.1. Overview

The chip has 8 ports for multi-functional input/output pins. They are shown below:

- Port A(PA): 18 input/output port
- Port B(PB): 24 input/output port
- Port C(PC): 25 input/output port
- Port D(PD): 28 input/output port
- Port E(PE) : 12 input/output port
- Port F(PF) : 6 input/output port
- Port G(PG) : 12 input/output port
- Port H(PH) : 28 input/output port
- Port I(PI) : 22 input/output port
- Port S(PS) : 84 input/output port for DRAM controller

For various system configurations, these ports can be easily configured by software. All these ports (except PS) can be configured as GPIO if multiplexed functions not used. 32 external PIO interrupt sources are supported and interrupt mode can be configured by software.

30.2. Port Register List

Module Name	Base Address
PIO	0x01C20800

Register Name	Offset	Description
Pn_CFG0	n*0x24+0x00	Port n Configure Register 0 (n from 0 to 9)
Pn_CFG1	n*0x24+0x04	Port n Configure Register 1 (n from 0 to 9)
Pn_CFG2	n*0x24+0x08	Port n Configure Register 2 (n from 0 to 9)
Pn_CFG3	n*0x24+0x0C	Port n Configure Register 3 (n from 0 to 9)
Pn_DAT	n*0x24+0x10	Port n Data Register (n from 0 to 9)
Pn_DRV0	n*0x24+0x14	Port n Multi-Driving Register 0 (n from 0 to 9)
Pn_DRV1	n*0x24+0x18	Port n Multi-Driving Register 1 (n from 0 to 9)
Pn_PUL0	n*0x24+0x1C	Port n Pull Register 0 (n from 0 to 9)



			000: Input 010: ETXD3 100: Reserved 110: Reserved	001: Output 011: SPI1_CS1 101: Reserved 111: Reserved
15	/	/	/	/
14:12	R/W	0	PA3_SELECT 000: Input 010: ERXD0 100: UART2_RX 110: Reserved	001: Output 011: SPI1_MISO 101: Reserved 111: Reserved
11	/	/	/	/
10:8	R/W	0	PA2_SELECT 000: Input 010: ERXD1 100: UART2_TX 110: Reserved	001: Output 011: SPI1_MOSI 101: Reserved 111: Reserved
7	/	/	/	/
6:4	R/W	0	PA1_SELECT 000: Input 010: ERXD2 100: UART2_CTS 110: Reserved	001: Output 011: SPI1_CLK 101: Reserved 111: Reserved
3	/	/	Reserved	
2:0	R/W	0	PA0_SELECT 000: Input 010: ERXD3 100: UART2_RTS 110: Reserved	001: Output 011: SPI1_CS0 101: Reserved 111: Reserved

30.3.2.PA Configure Register 1

Offset: 0x04			Register Name: PA_CFG1 Default Value: 0x0000_0000	
Bit	Read/Write	Default	Description	
31	/	/	/	
30:28	R/W	0	PA15_SELECT 000: Input 010: ECRS 100: UART1_DSR 110: Reserved	001: Output 011: UART7_RX 101: Reserved 111: Reserved
27	/	/	/	
26:24	R/W	0	PA14_SELECT	



			000: Input 010: ETXCK 100: UART1_DTR 110: Reserved	001: Output 011: UART7_TX 101: Reserved 111: Reserved
23	/	/	/	/
22:20	R/W	0	PA13_SELECT 000: Input 010: ETXEN 100: UART1_CTS 110: Reserved	001: Output 011: UART6_RX 101: Reserved 111: Reserved
19	/	/	/	/
18:16	R/W	0	PA12_SELECT 000: Input 010: EMDIO 100: UART1_RTS 110: Reserved	001: Output 011: UART6_TX 101: Reserved 111: Reserved
15	/	/	/	/
14:12	R/W	0	PA11_SELECT 000: Input 010: EMDC 100: UART1_RX 110: Reserved	001: Output 011: Reserved 101: Reserved 111: Reserved
11	/	/	/	/
10:8	R/W	0	PA10_SELECT 000: Input 010: ERXDV 100: UART1_TX 110: Reserved	001: Output 011: Reserved 101: Reserved 111: Reserved
7	/	/	/	/
6:4	R/W	0	PA9_SELECT 000: Input 010: ERXERR 100: Reserved 110: Reserved	001: Output 011: SPI3_CS1 101: Reserved 111: Reserved
3	/	/	/	/
2:0	R/W	0	PA8_SELECT 000: Input 010: ERXCK 100: Reserved 110: Reserved	001: Output 011: SPI3_MISO 101: Reserved 111: Reserved



30.3.3.PA Configure Register 2

Offset: 0x08			Register Name: PA_CFG2 Default Value: 0x0000_0000
Bit	Read/Write	Default	Description
31:7	/	/	/
6:4	R/W	0	PA17_SELECT 000: Input 001: Output 010: ETXERR 011: CAN_RX 100: UART1_RING 101: Reserved 110: Reserved 111: Reserved
3	/	/	/
2:0	R/W	0	PA16_SELECT 000: Input 001: Output 010: ECOL 011: CAN_TX 100: UART1_DCD 101: Reserved 110: Reserved 111: Reserved

30.3.4.PA Configure Register 3

Offset: 0x0C			Register Name: PA_CFG3 Default Value: 0x0000_0000
Bit	Read/Write	Default	Description
31:0	/	/	/

30.3.5.PA Data Register

Offset: 0x10			Register Name: PA_DAT Default Value: 0x0000_0000
Bit	Read/Write	Default	Description
31:18	/	/	/
17:0	R/W	0	PA_DAT If the port is configured as input, the corresponding bit is the pin state. If the port is configured as output, the pin state is the same as the corresponding bit. The read bit value is the value setup by software. If the port is configured as functional pin, the undefined value will be read.



30.3.6.PA Multi-Driving Register 0

Offset: 0x14			Register Name: PA_DRV0 Default Value: 0x5555_5555
Bit	Read/Write	Default	Description
[2i+1:2i] (i=0~15)	R/W	0x1	PA_DRV PA[n] Multi-Driving Select (n = 0~15) 00: Level 0 01: Level 1 10: Level 2 11: Level 3

30.3.7.PA Multi-Driving Register 1

Offset: 0x18			Register Name: PA_DRV1 Default Value: 0x0000_0005
Bit	Read/Write	Default	Description
31:4	/	/	/
[2i+1:2i] (i=0~1)	R/W	0x1	PA_DRV PA[n] Multi-Driving Select (n = 16~17) 00: Level 0 01: Level 1 10: Level 2 11: Level 3

30.3.8.PA Pull Register 0

Offset: 0x1C			Register Name: PA_PULL0 Default Value: 0x0000_0000
Bit	Read/Write	Default	Description
[2i+1:2i] (i=0~15)	R/W	0x0	PA_PULL PA[n] Pull-up/down Select (n = 0~15) 00: Pull-up/down disable 01: Pull-up 10: Pull-down 11: Reserved

30.3.9.PA Pull Register 1

Offset: 0x20			Register Name: PA_PULL1 Default Value: 0x0000_0000
Bit	Read/Write	Default	Description
31:4	/	/	/
[2i+1:2i] (i=0~1)	R/W	0x0	PA_PULL PA[n] Pull-up/down Select (n = 16~17) 00: Pull-up/down disable 01: Pull-up enable



			110: Reserved	111: Reserved
7	/	/	/	
6:4	R/W	0	PB1_SELECT 000: Input 010: TWI0_SDA 100: Reserved 110: Reserved	001: Output 011: Reserved 101: Reserved 111: Reserved
3	/	/	/	
2:0	R/W	0	PB0_SELECT 000: Input 010: TWI0_SCK 100: Reserved 110: Reserved	001: Output 011: Reserved 101: Reserved 111: Reserved

30.3.11. PB Configure Register 1

Offset: 0x28			Register Name: PB_CFG1 Default Value: 0x0000_0000	
Bit	Read/Write	Default	Description	
31	/	/	/	
30:28	R/W	0	PB15_SELECT 000: Input 010: SPI2_CLK 100: Reserved 110: Reserved	001: Output 011: JTAG_CK0 101: Reserved 111: Reserved
27	/	/	/	
26:24	R/W	0	PB14_SELECT 000: Input 010: SPI2_CS0 100: Reserved 110: Reserved	001: Output 011: JTAG_MS0 101: Reserved 111: Reserved
23	/	/	/	
22:20	R/W	0	PB13_SELECT 000: Input 010: SPI2_CS1 100: Reserved 110: Reserved	001: Output 011: Reserved 101: Reserved 111: Reserved
19	/	/	/	
18:16	R/W	0	PB12_SELECT 000: Input 010: I2S_DI 100: Reserved	001: Output 011: AC97_DI 101: Reserved



			110: Reserved	111: Reserved
15	/	/	/	
14:12	R/W	0	PB11_SELECT 000: Input 010: I2S_DO3 100: Reserved 110: Reserved	001: Output 011: Reserved 101: Reserved 111: Reserved
11	/	/	/	
10:8	R/W	0	PB10_SELECT 000: Input 010: I2S_DO2 100: Reserved 110: Reserved	001: Output 011: Reserved 101: Reserved 111: Reserved
7	/	/	/	
6:4	R/W	0	PB9_SELECT 000: Input 010: I2S_DO1 100: Reserved 110: Reserved	001: Output 011: Reserved 101: Reserved 111: Reserved
3	/	/	/	
2:0	R/W	0	PB8_SELECT 000: Input 010: I2S_DO0 100: Reserved 110: Reserved	001: Output 011: AC97_DO 101: Reserved 111: Reserved

30.3.12. PB Configure Register 2

Offset: 0x2C			Register Name: PB_CFG2	
			Default Value: 0x0000_0000	
Bit	Read/Write	Default	Description	
31	/	/	/	
30:28	R/W	0	PB23_SELECT 000: Input 010: UART0_RX 100: Reserved 110: Reserved	001: Output 011: IR1_RX 101: Reserved 111: Reserved
27	/	/	/	
26:24	R/W	0	PB22_SELECT 000: Input 010: UART0_TX 100: Reserved	001: Output 011: IR1_TX 101: Reserved



			110: Reserved	111: Reserved
23	/	/	Reserved	
22:20	R/W	0	PB21_SELECT 000: Input 010: TWI2_SDA 100: Reserved 110: Reserved	001: Output 011: Reserved 101: Reserved 111: Reserved
19	/	/	/	
18:16	R/W	0	PB20_SELECT 000: Input 010: TWI2_SCK 100: Reserved 110: Reserved	001: Output 011: Reserved 101: Reserved 111: Reserved
15	/	/	/	
14:12	R/W	0	PB19_SELECT 000: Input 010: TWI1_SDA 100: Reserved 110: Reserved	001: Output 011: Reserved 101: Reserved 111: Reserved
11	/	/	/	
10:8	R/W	0	PB18_SELECT 000: Input 010: TWI1_SCK 100: Reserved 110: Reserved	001: Output 011: Reserved 101: Reserved 111: Reserved
7	/	/	/	
6:4	R/W	0	PB17_SELECT 000: Input 010: SPI2_MISO 100: Reserved 110: Reserved	001: Output 011: JTAG_DI0 101: Reserved 111: Reserved
3	/	/	/	
2:0	R/W	0	PB16_SELECT 000: Input 010: SPI2_MOSI 100: Reserved 110: Reserved	001: Output 011: JTAG_DO0 101: Reserved 111: Reserved

30.3.13. PB Configure Register 3

Offset: 0x30	Register Name: PB_CFG3 Default Value: 0x0000_0000
---------------------	--



Bit	Read/Write	Default	Description
31:0	/	/	/

30.3.14. PB Data Register

Offset: 0x34			Register Name: PB_DAT Default Value: 0x0000_0000
Bit	Read/Write	Default	Description
31:24	/	/	/
23:0	R/W	0	PB_DAT If the port is configured as input, the corresponding bit is the pin state. If the port is configured as output, the pin state is the same as the corresponding bit. The read bit value is the value setup by software. If the port is configured as functional pin, the undefined value will be read.

30.3.15. PB Multi-Driving Register 0

Offset: 0x38			Register Name: PB_DRV0 Default Value: 0x5555_5555
Bit	Read/Write	Default	Description
[2i+1:2i] (i=0~15)	R/W	0x1	PB_DRV PB[n] Multi-Driving Select (n = 0~15) 00: Level 0 01: Level 1 10: Level 2 11: Level 3

30.3.16. PB Multi-Driving Register 1

Offset: 0x3C			Register Name: PB_DRV1 Default Value: 0x0000_5555
Bit	Read/Write	Default	Description
31:16	/	/	/
[2i+1:2i] (i=0~7)	R/W	0x1	PB_DRV PB[n] Multi-Driving Select (n = 16~23) 00: Level 0 01: Level 1 10: Level 2 11: Level 3

**30.3.17. PB Pull Register 0**

Offset: 0x40			Register Name: PB_PULL0 Default Value: 0x0000_0000
Bit	Read/Write	Default	Description
[2i+1:2i] (i=0~15)	R/W	0x0	PB_PULL PB[n] Pull-up/down Select (n = 0~15) 00: Pull-up/down disable 01: Pull-up 10: Pull-down 11: Reserved

30.3.18. PB Pull Register 1

Offset: 0x44			Register Name: PB_PULL1 Default Value: 0x0000_0000
Bit	Read/Write	Default	Description
31:16	/	/	/
[2i+1:2i] (i=0~7)	R/W	0x0	PB_PULL PB[n] Pull-up/down Select (n = 16~23) 00: Pull-up/down disable 01: Pull-up enable 10: Pull-down 11: Reserved

30.3.19. PC Configure Register 0

Offset: 0x48			Register Name: PC_CFG0 Default Value: 0x0000_0000
Bit	Read/Write	Default	Description
31	/	/	/
30:28	R/W	0	PC7_SELECT 000: Input 001: Output 010: NRB1 011: SDC2_CLK 100: Reserved 101: Reserved 110: Reserved 111: Reserved
27	/	/	/
26:24	R/W	0	PC6_SELECT 000: Input 001: Output 010: NRB0 011: SDC2_CMD 100: Reserved 101: Reserved 110: Reserved 111: Reserved
23	/	/	/
22:20	R/W	0	PC5_SELECT 000: Input 001: Output



			010: NRE# 100: Reserved 110: Reserved	011: Reserved 101: Reserved 111: Reserved
19	/	/	/	
18:16	R/W	0	PC4_SELECT 000: Input 010: NCE0 100: Reserved 110: Reserved	001: Output 011: Reserved 101: Reserved 111: Reserved
15	/	/	/	
14:12	R/W	0	PC3_SELECT 000: Input 010: NCE1 100: Reserved 110: Reserved	001: Output 011: Reserved 101: Reserved 111: Reserved
11	/	/	/	
10:8	R/W	0	PC2_SELECT 000: Input 010: NCLE 100: Reserved 110: Reserved	001: Output 011: SPI0_CLK 101: Reserved 111: Reserved
7	/	/	/	
6:4	R/W	0	PC1_SELECT 000: Input 010: NALE 100: Reserved 110: Reserved	001: Output 011: SPI0_MISO 101: Reserved 111: Reserved
3	/	/	/	
2:0	R/W	0	PC0_SELECT 000: Input 010: NWE 100: Reserved 110: Reserved	001: Output 011: SPI0_MOSI 101: Reserved 111: Reserved

30.3.20. PC Configure Register 1

Offset: 0x4C			Register Name: PC_CFG1
			Default Value: 0x0000_0000
Bit	Read/Write	Default	Description
31	/	/	/
30:28	R/W	0	PC15_SELECT 000: Input 001: Output



			010: NDQ7 100: Reserved 110: Reserved	011: Reserved 101: Reserved 111: Reserved
27	/	/	/	
26:24	R/W	0	PC14_SELECT 000: Input 010: NDQ6 100: Reserved 110: Reserved	001: Output 011: Reserved 101: Reserved 111: Reserved
23	/	/	/	
22:20	R/W	0	PC13_SELECT 000: Input 010: NDQ5 100: Reserved 110: Reserved	001: Output 011: Reserved 101: Reserved 111: Reserved
19	/	/	/	
18:16	R/W	0	PC12_SELECT 000: Input 010: NDQ4 100: Reserved 110: Reserved	001: Output 011: Reserved 101: Reserved 111: Reserved
15	/	/	/	
14:12	R/W	0	PC11_SELECT 000: Input 010: NDQ3 100: Reserved 110: Reserved	001: Output 011: SDC2_D3 101: Reserved 111: Reserved
11	/	/	/	
10:8	R/W	0	PC10_SELECT 000: Input 010: NDQ2 100: Reserved 110: Reserved	001: Output 011: SDC2_D2 101: Reserved 111: Reserved
7	/	/	/	
6:4	R/W	0	PC9_SELECT 000: Input 010: NDQ1 100: Reserved 110: Reserved	001: Output 011: SDC2_D1 101: Reserved 111: Reserved
3	/	/	/	
2:0	R/W	0	PC8_SELECT 000: Input 010: NDQ0	001: Output 011: SDC2_D0



			100: Reserved	101: Reserved
			110: Reserved	111: Reserved

30.3.21. PC Configure Register 2

Offset: 0x50			Register Name: PC_CFG2 Default Value: 0x0000_0000	
Bit	Read/Write	Default	Description	
31	/	/	/	
30:28	R/W	0	PC23_SELECT 000: Input 010: Reserved 100: Reserved 110: Reserved	001: Output 011: SPI0_CS0 101: Reserved 111: Reserved
17	/	/	/	
26:24	R/W	0	PC22_SELECT 000: Input 010: NCE7 100: Reserved 110: Reserved	001: Output 011: SPI2_MISO 101: Reserved 111: Reserved
23	/	/	/	
22:20	R/W	0	PC21_SELECT 000: Input 010: NCE6 100: Reserved 110: Reserved	001: Output 011: SPI2_MOSI 101: Reserved 111: Reserved
19	/	/	/	
18:16	R/W	0	PC20_SELECT 000: Input 010: NCE5 100: Reserved 110: Reserved	001: Output 011: SPI2_CLK 101: Reserved 111: Reserved
15	/	/	/	
14:12	R/W	0	PC19_SELECT 000: Input 010: NCE4 100: Reserved 110: Reserved	001: Output 011: SPI2_CS0 101: Reserved 111: Reserved
11	/	/	/	
10:8	R/W	0	PC18_SELECT 000: Input 010: NCE3	001: Output 011: Reserved



			100: Reserved 110: Reserved	101: Reserved 111: Reserved
7	/	/	/	
6:4	R/W	0	PC17_SELECT 000: Input 010: NCE2 100: Reserved 110: Reserved	001: Output 011: Reserved 101: Reserved 111: Reserved
3	/	/	/	
2:0	R/W	0	PC16_SELECT 000: Input 010: NWP 100: Reserved 110: Reserved	001: Output 011: Reserved 101: Reserved 111: Reserved

30.3.22. PC Configure Register 3

Offset: 0x54			Register Name: PC_CFG3 Default Value: 0x0000_0000	
Bit	Read/Write	Default	Description	
31:4	/	/	/	
3	/	/	/	
2:0	R/W	0	PC24_SELECT 000: Input 010: NDQS 100: Reserved 110: Reserved	001: Output 011: Reserved 101: Reserved 111: Reserved

30.3.23. PC Data Register

Offset: 0x58			Register Name: PC_DAT Default Value: 0x0000_0000
Bit	Read/Write	Default	Description
31:24	/	/	/
23:0	R/W	0	PC_DAT If the port is configured as input, the corresponding bit is the pin state. If the port is configured as output, the pin state is the same as the corresponding bit. The read bit value is the value setup by software. If the port is configured as functional pin, the undefined value will be read.

**30.3.24. PC Multi-Driving Register 0**

Offset: 0x5C			Register Name: PC_DRV0 Default Value: 0x5555_5555
Bit	Read/Write	Default	Description
[2i+1:2i] (i=0~15)	R/W	0x1	PC_DRV PC[n] Multi-Driving_SELECT (n = 0~15) 00: Level 0 01: Level 1 10: Level 2 11: Level 3

30.3.25. PC Multi-Driving Register 1

Offset: 0x60			Register Name: PC_DRV1 Default Value: 0x0001_5555
Bit	Read/Write	Default	Description
31:18	/	/	/
[2i+1:2i] (i=0~8)	R/W	0x1	PC_DRV PC[n] Multi-Driving Select (n = 16~24) 00: Level 0 01: Level 1 10: Level 2 11: Level 3

30.3.26. PC Pull Register 0

Offset: 0x64			Register Name: PC_PULL0 Default Value: 0x0000_5140
Bit	Read/Write	Default	Description
[2i+1:2i] (i=0~15)	R/W	0x0000_5140	PC_PULL PC[n] Pull-up/down Select (n = 0~15) 00: Pull-up/down disable 01: Pull-up 10: Pull-down 11: Reserved

30.3.27. PC Pull Register 1

Offset: 0x68			Register Name: PC_PULL1 Default Value: 0x0000_4016
Bit	Read/Write	Default	Description
31:18	/	/	/
[2i+1:2i] (i=0~8)	R/W	0x0000_4016	PC_PULL PC[n] Pull-up/down Select (n = 16~24) 00: Pull-up/down disable 01: Pull-up



			10: Pull-down	11: Reserved
--	--	--	---------------	--------------

30.3.28. PD Configure Register 0

Offset: 0x6C			Register Name: PD_CFG0 Default Value: 0x0000_0000
Bit	Read/Write	Default	Description
31	/	/	/
30:28	R/W	0	PD7_SELECT 000: Input 001: Output 010: LCD0_D7 011: LVDS0_VNC 100: Reserved 101: Reserved 110: Reserved 111: Reserved
27	/	/	Reserved
26:24	R/W	0	PD6_SELECT 000: Input 001: Output 010: LCD0_D6 011: LVDS0_VPC 100: Reserved 101: Reserved 110: Reserved 111: Reserved
23	/	/	/
22:20	R/W	0	PD5_SELECT 000: Input 001: Output 010: LCD0_D5 011: LVDS0_VN2 100: Reserved 101: Reserved 110: Reserved 111: Reserved
19	/	/	/
18:16	R/W	0	PD4_SELECT 000: Input 001: Output 010: LCD0_D4 011: LVDS0_VP2 100: Reserved 101: Reserved 110: Reserved 111: Reserved
15	/	/	/
14:12	R/W	0	PD3_SELECT 000: Input 001: Output 010: LCD0_D3 011: LVDS0_VN1 100: Reserved 101: Reserved 110: Reserved 111: Reserved
11	/	/	/
10:8	R/W	0	PD2_SELECT 000: Input 001: Output 010: LCD0_D2 011: LVDS0_VP1 100: Reserved 101: Reserved



			110: Reserved	111: Reserved
7	/	/	/	
6:4	R/W	0	PD1_SELECT 000: Input 010: LCD0_D1 100: Reserved 110: Reserved	001: Output 011: LVDS0_VN0 101: Reserved 111: Reserved
3	/	/	/	
2:0	R/W	0	PD0_SELECT 000: Input 010: LCD0_D0 100: Reserved 110: Reserved	001: Output 011: LVDS0_VP0 101: Reserved 111: Reserved

30.3.29. PD Configure Register 1

Offset: 0x70			Register Name: PD_CFG1 Default Value: 0x0000_0000	
Bit	Read/Write	Default	Description	
31	/	/	/	
30:28	R/W	0	PD15_SELECT 000: Input 010: LCD0_D15 100: Reserved 110: Reserved	001: Output 011: LVDS1_VN2 101: Reserved 111: Reserved
27	/	/	/	
26:24	R/W	0	PD14_SELECT 000: Input 010: LCD0_D14 100: Reserved 110: Reserved	001: Output 011: LVDS1_VP2 101: Reserved 111: Reserved
23	/	/	/	
22:20	R/W	0	PD13_SELECT 000: Input 010: LCD0_D13 100: Reserved 110: Reserved	001: Output 011: LVDS1_VN1 101: Reserved 111: Reserved
19	/	/	/	
18:16	R/W	0	PD12_SELECT 000: Input 010: LCD0_D12 100: Reserved	001: Output 011: LVDS1_VP1 101: Reserved



			110: Reserved	111: Reserved
15	/	/	/	
14:12	R/W	0	PD11_SELECT 000: Input 010: LCD0_D11 100: Reserved 110: Reserved	001: Output 011: LVDS1_VN0 101: Reserved 111: Reserved
11	/	/	/	
10:8	R/W	0	PD10_SELECT 000: Input 010: LCD0_D10 100: Reserved 110: Reserved	001: Output 011: LVDS1_VP0 101: Reserved 111: Reserved
7	/	/	/	
6:4	R/W	0	PD9_SELECT 000: Input 010: LCD0_D9 100: Reserved 110: Reserved	001: Output 011: LVDS0_VM3 101: Reserved 111: Reserved
3	/	/	/	
2:0	R/W	0	PD8_SELECT 000: Input 010: LCD0_D8 100: Reserved 110: Reserved	001: Output 011: LVDS0_VP3 101: Reserved 111: Reserved

30.3.30. PD Configure Register 2

Offset: 0x74			Register Name: PD_CFG2	
			Default Value: 0x0000_0000	
Bit	Read/Write	Default	Description	
31	/	/	/	
30:28	R/W	0	PD23_SELECT 000: Input 010: LCD0_D23 100: Reserved 110: Reserved	001: Output 011: SMC_DET 101: Reserved 111: Reserved
27	/	/	/	
26:24	R/W	0	PD22_SELECT 000: Input 010: LCD0_D22 100: Reserved	001: Output 011: SMC_VPPPP 101: Reserved



			110: Reserved	111: Reserved
23	/	/	/	
22:20	R/W	0	PD21_SELECT 000: Input 010: LCD0_D21 100: Reserved 110: Reserved	001: Output 011: SMC_VPPEN 101: Reserved 111: Reserved
19	/	/	/	
18:16	R/W	0	PD20_SELECT 000: Input 010: LCD0_D20 100: Reserved 110: Reserved	001: Output 011: CSI1_MCLK 101: Reserved 111: Reserved
15	/	/	/	
14:12	R/W	0	PD19_SELECT 000: Input 010: LCD0_D19 100: Reserved 110: Reserved	001: Output 011: LVDS1_VN3 101: Reserved 111: Reserved
11	/	/	/	
10:8	R/W	0	PD18_SELECT 000: Input 010: LCD0_D18 100: Reserved 110: Reserved	001: Output 011: LVDS1_VP3 101: Reserved 111: Reserved
7	/	/	/	
6:4	R/W	0	PD17_SELECT 000: Input 010: LCD0_D17 100: Reserved 110: Reserved	001: Output 011: LVDS1_VNC 101: Reserved 111: Reserved
3	/	/	/	
2:0	R/W	0	PD16_SELECT 000: Input 010: LCD0_D16 100: Reserved 110: Reserved	001: Output 011: LVDS1_VPC 101: Reserved 111: Reserved

30.3.31. PD Configure Register 3

Offset: 0x78	Register Name: PD_CFG3 Default Value: 0x0000_0000
---------------------	--



Bit	Read/Write	Default	Description
31:16	/	/	/
15	/	/	/
14:12	R/W	0	PD27_SELECT 000: Input 001: Output 010: LCD0_VSYNC 011: SMC_SDA 100: Reserved 101: Reserved 110: Reserved 111: Reserved
11	/	/	Reserved
10:8	R/W	0	PD26_SELECT 000: Input 001: Output 010: LCD0_HSYNC 011: SMC_SCK 100: Reserved 101: Reserved 110: Reserved 111: Reserved
7	/	/	/
6:4	R/W	0	PD25_SELECT 000: Input 001: Output 010: LCD0_DE 011: SMC_RST 100: Reserved 101: Reserved 110: Reserved 111: Reserved
3	/	/	/
2:0	R/W	0	PD24_SELECT 000: Input 001: Output 010: LCD0_CLK 011: SMC_VCCEN 100: Reserved 101: Reserved 110: Reserved 111: Reserved

30.3.32. PD Data Register

Offset: 0x7C			Register Name: PD_DAT Default Value: 0x0000_0000
Bit	Read/Write	Default	Description
31:28	/	/	/
27:0	R/W	0	PD_DAT If the port is configured as input, the corresponding bit is the pin state. If the port is configured as output, the pin state is the same as the corresponding bit. The read bit value is the value setup by software. If the port is configured as functional pin, the undefined value will be read.

**30.3.33. PD Multi-Driving Register 0**

Offset: 0x80			Register Name: PD_DRV0 Default Value: 0x5555_5555
Bit	Read/Write	Default	Description
[2i+1:2i] (i=0~15)	R/W	0x1	PD_DRV PD[n] Multi-Driving Select (n = 0~15) 00: Level 0 01: Level 1 10: Level 2 11: Level 3

30.3.34. PD Multi-Driving Register 1

Offset: 0x84			Register Name: PD_DRV1 Default Value: 0x0055_5555
Bit	Read/Write	Default	Description
31:24	/	/	/
[2i+1:2i] (i=0~11)	R/W	0x1	PD_DRV PD[n] Multi-Driving Select (n = 16~27) 00: Level 0 01: Level 1 10: Level 2 11: Level 3

30.3.35. PD Pull Register 0

Offset: 0x88			Register Name: PD_PULL0 Default Value: 0x0000_0000
Bit	Read/Write	Default	Description
[2i+1:2i] (i=0~15)	R/W	0x0	PD_PULL PD[n] Pull-up/down Select (n = 0~15) 00: Pull-up/down disable 01: Pull-up 10: Pull-down 11: Reserved

30.3.36. PD Pull Register 1

Offset: 0x8C			Register Name: PD_PULL1 Default Value: 0x0000_0000
Bit	Read/Write	Default	Description
31:24	/	/	/
[2i+1:2i] (i=0~11)	R/W	0x0	PD_PULL PD[n] Pull-up/down Select (n = 16~27) 00: Pull-up/down disable 01: Pull-up enable



			10: Pull-down	11: Reserved
--	--	--	---------------	--------------

30.3.37. PE Configure Register 0

Offset: 0x90			Register Name: PE_CFG0
			Default Value: 0x0000_0000
Bit	Read/Write	Default	Description
31	/	/	/
30:28	R/W	0	PE7_SELECT 000: Input 001: Output 010: TS0_D3 011: CSI0_D3 100: Reserved 101: Reserved 110: Reserved 111: Reserved
27	/	/	/
26:24	R/W	0	PE6_SELECT 000: Input 001: Output 010: TS0_D2 011: CSI0_D2 100: Reserved 101: Reserved 110: Reserved 111: Reserved
23	/	/	/
22:20	R/W	0	PE5_SELECT 000: Input 001: Output 010: TS0_D1 011: CSI0_D1 100: SMC_VPPEN 101: Reserved 110: Reserved 111: Reserved
19	/	/	/
18:16	R/W	0	PE4_SELECT 000: Input 001: Output 010: TS0_D0 011: CSI0_D0 100: Reserved 101: Reserved 110: Reserved 111: Reserved
15	/	/	/
14:12	R/W	0	PE3_SELECT 000: Input 001: Output 010: TS0_DVLD 011: CSI0_VSYNC 100: Reserved 101: Reserved 110: Reserved 111: Reserved
11	/	/	/
10:8	R/W	0	PE2_SELECT 000: Input 001: Output 010: TS0_SYNC 011: CSI0_HSYNC 100: Reserved 101: Reserved



			110: Reserved	111: Reserved
7	/	/	/	/
6:4	R/W	0	PE1_SELECT 000: Input 010: TSO_ERR 100: Reserved 110: Reserved	001: Output 011: CSI0_CK 101: Reserved 111: Reserved
3	/	/	/	/
2:0	R/W	0	PE0_SELECT 000: Input 010: TSO_CLK 100: Reserved 110: Reserved	001: Output 011: CSI0_PCK 101: Reserved 111: Reserved

30.3.38. PE Configure Register 1

Offset: 0x94			Register Name: PE_CFG1 Default Value: 0x0000_0000	
Bit	Read/Write	Default	Description	
31:16	/	/	/	/
15	/	/	/	/
14:12	R/W	0	PE11_SELECT 000: Input 010: TSO_D7 100: Reserved 110: Reserved	001: Output 011: CSI0_D7 101: Reserved 111: Reserved
11	/	/	/	/
10:8	R/W	0	PE10_SELECT 000: Input 010: TSO_D6 100: Reserved 110: Reserved	001: Output 011: CSI0_D6 101: Reserved 111: Reserved
7	/	/	/	/
6:4	R/W	0	PE9_SELECT 000: Input 010: TSO_D5 100: Reserved 110: Reserved	001: Output 011: CSI0_D5 101: Reserved 111: Reserved
3	/	/	/	/
2:0	R/W	0	PE8_SELECT 000: Input 010: TSO_D4	001: Output 011: CSI0_D4



			100: Reserved	101: Reserved
			110: Reserved	111: Reserved

30.3.39. PE Configure Register 2

Offset: 0x98			Register Name: PE_CFG2
			Default Value: 0x0000_0000
Bit	Read/Write	Default	Description
31:0	/	/	/

30.3.40. PE Configure Register 3

Offset: 0x98			Register Name: PE_CFG2
			Default Value: 0x0000_0000
Bit	Read/Write	Default	Description
31:0	/	/	/

30.3.41. PE Data Register

Offset: 0xA0			Register Name: PE_DAT
			Default Value: 0x0000_0000
Bit	Read/Write	Default	Description
31:12	/	/	/
11:0	R/W	0	PE_DAT If the port is configured as input, the corresponding bit is the pin state. If the port is configured as output, the pin state is the same as the corresponding bit. The read bit value is the value setup by software. If the port is configured as functional pin, the undefined value will be read.

30.3.42. PE Multi-Driving Register 0

Offset: 0xA4			Register Name: PE_DRV0
			Default Value: 0x0055_5555
Bit	Read/Write	Default	Description
31:24	/	/	/
[2i+1:2i] (i=0~11)	R/W	0x1	PE_DRV PE[n] Multi-Driving Select (n = 0~15) 00: Level 0 01: Level 1



			10: Level 2	11: Level 3
--	--	--	-------------	-------------

30.3.43. PE Multi-Driving Register 1

Offset: 0xA8			Register Name: PE_DRV1 Default Value: 0x0000_0000
Bit	Read/Write	Default	Description
31:0	/	/	/

30.3.44. PE Pull Register 0

Offset: 0xAC			Register Name: PE_PULL0 Default Value: 0x0000_0000
Bit	Read/Write	Default	Description
31:24	/	/	/
[2i+1:2i] (i=0~11)	R/W	0x0	PE_PULL PE[n] Pull-up/down Select (n = 0~11) 00: Pull-up/down disable 01: Pull-up 10: Pull-down 11: Reserved

30.3.45. PE Pull Register 1

Offset: 0xB0			Register Name: PE_PULL1 Default Value: 0x0000_0000
Bit	Read/Write	Default	Description
31:0	/	/	/

30.3.46. PF Configure Register 0

Offset: 0xB4			Register Name: PF_CFG0 Default Value: 0x0040_4044
Bit	Read/Write	Default	Description
31:23	/	/	/
22:20	R/W	0x4	PF5_SELECT 000: Input 001: Output 010: SDC0_D2 011: Reserved 100: JTAG_CK1 101: Reserved 110: Reserved 111: Reserved
19	/	/	/
18:16	R/W	0	PF4_SELECT



			000: Input 010: SDC0_D3 100: UART0_RX 110: Reserved	001: Output 011: Reserved 101: Reserved 111: Reserved
15	/	/	/	/
14:12	R/W	0x4	PF3_SELECT 000: Input 010: SDC0_CMD 100: JTAG_DO1 110: Reserved	001: Output 011: Reserved 101: Reserved 111: Reserved
11	/	/	/	/
10:8	R/W	0	PF2_SELECT 000: Input 010: SDC0_CLK 100: UART0_TX 110: Reserved	001: Output 011: Reserved 101: Reserved 111: Reserved
7	/	/	/	/
6:4	R/W	0x4	PF1_SELECT 000: Input 010: SDC0_D0 100: JTAG_DI1 110: Reserved	001: Output 011: Reserved 101: Reserved 111: Reserved
3	/	/	/	/
2:0	R/W	0x4	PF0_SELECT 000: Input 010: SDC0_D1 100: JTAG_MS1 110: Reserved	001: Output 011: Reserved 101: Reserved 111: Reserved

30.3.47. PF Configure Register 1

Offset: 0xB8			Register Name: PF_CFG1 Default Value: 0x0000_0000
Bit	Read/Write	Default	Description
31:0	/	/	/

30.3.48. PF Configure Register 2

Offset: 0xBC			Register Name: PF_CFG2 Default Value: 0x0000_0000
Bit	Read/Write	Default	Description
31:0	/	/	/

**30.3.49. PF Configure Register 3**

Offset: 0xC0			Register Name: PF_CFG3 Default Value: 0x0000_0000
Bit	Read/Write	Default	Description
31:0	/	/	/

30.3.50. PF Data Register

Offset: 0xC4			Register Name: PF_DAT Default Value: 0x0000_0000
Bit	Read/Write	Default	Description
31:6	/	/	/
5:0	R/W	0	PF_DAT If the port is configured as input, the corresponding bit is the pin state. If the port is configured as output, the pin state is the same as the corresponding bit. The read bit value is the value setup by software. If the port is configured as functional pin, the undefined value will be read.

30.3.51. PF Multi-Driving Register 0

Offset: 0xC8			Register Name: PF_DRV0 Default Value: 0x0000_0555
Bit	Read/Write	Default	Description
31:12	/	/	/
[2i+1:2i] (i=0~5)	R/W	0x1	PF_DRV PF[n] Multi-Driving Select (n = 0~5) 00: Level 0 01: Level 1 10: Level 2 11: Level 3

30.3.52. PF Multi-Driving Register 1

Offset: 0xCC			Register Name: PF_DRV1 Default Value: 0x0000_0000
Bit	Read/Write	Default	Description
31:24	/	/	/

**30.3.53. PF Pull Register 0**

Offset: 0xD0			Register Name: PF_PULL0 Default Value: 0x0000_0000
Bit	Read/Write	Default	Description
31:12	/	/	/
[2i+1:2i] (i=0~5)	R/W	0x0	PF_PULL PF[n] Pull-up/down Select (n = 0~5) 00: Pull-up/down disable 01: Pull-up 10: Pull-down 11: Reserved

30.3.54. PF Pull Register 1

Offset: 0xD4			Register Name: PF_PULL1 Default Value: 0x0000_0000
Bit	Read/Write	Default	Description
31:0	/	/	/

30.3.55. PG Configure Register 0

Offset: 0xD8			Register Name: PG_CFG0 Default Value: 0x0000_0000
Bit	Read/Write	Default	Description
31	/	/	/
30:28	R/W	0	PG7_SELECT 000: Input 001: Output 010: TS1_D3 011: CSI1_D3 100: UART3_RX 101: CSI0_D11 110: Reserved 111: Reserved
27	/	/	/
26:24	R/W	0	PG6_SELECT 000: Input 001: Output 010: TS1_D2 011: CSI1_D2 100: UART3_TX 101: CSI0_D10 110: Reserved 111: Reserved
23	/	/	/
22:20	R/W	0	PG5_SELECT 000: Input 001: Output 010: TS1_D1 011: CSI1_D1 100: SDC1_D3 101: CSI0_D9 110: Reserved 111: Reserved



19	/	/	/
18:16	R/W	0	PG4_SELECT 000: Input 001: Output 010: TS1_D0 011: CSI1_D0 100: SDC1_D2 101: CSI0_D8 110: Reserved 111: Reserved
15	/	/	/
14:12	R/W	0	PG3_SELECT 000: Input 001: Output 010: TS1_DVLD 011: CSI1_VSYNC 100: SDC1_D1 101: Reserved 110: Reserved 111: Reserved
11	/	/	/
10:8	R/W	0	PG2_SELECT 000: Input 001: Output 010: TS1_SYNC 011: CSI1_HSYNC 100: SDC1_D0 101: Reserved 110: Reserved 111: Reserved
7	/	/	/
6:4	R/W	0	PG1_SELECT 000: Input 001: Output 010: TS1_ERR 011: CSI1_CK 100: SDC1_CLK 101: Reserved 110: Reserved 111: Reserved
3	/	/	/
2:0	R/W	0	PG0_SELECT 000: Input 001: Output 010: TS1_CLK 011: CSI1_PCK 100: SDC1_CMD 101: Reserved 110: Reserved 111: Reserved

30.3.56. PG Configure Register 1

Offset: 0xDC			Register Name: PG_CFG1 Default Value: 0x0000_0000
Bit	Read/Write	Default	Description
31:7	/	/	/
15	/	/	/
14:12	R/W	0	PG11_SELECT 000: Input 001: Output 010: TS1_D7 011: CSI1_D7 100: UART4_RX 101: CSI0_D15



			110: Reserved	111: Reserved
11	/	/	/	
10:8	R/W	0	PG10_SELECT 000: Input 010: TS1_D6 100: UART4_TX 110: Reserved	001: Output 011: CSI1_D6 101: CSI0_D14 111: Reserved
7	/	/	/	
6:4	R/W	0	PG9_SELECT 000: Input 010: TS1_D5 100: UART3_CTS 110: Reserved	001: Output 011: CSI1_D5 101: CSI0_D13 111: Reserved
3	/	/	/	
2:0	R/W	0	PG8_SELECT 000: Input 010: TS1_D4 100: UART3_RTS 110: Reserved	001: Output 011: CSI1_D4 101: CSI0_D12 111: Reserved

30.3.57. PG Configure Register 2

Offset: 0xE0			Register Name: PG_CFG2 Default Value: 0x0000_0000
Bit	Read/Write	Default	Description
31:0	/	/	/

30.3.58. PG Configure Register 3

Offset: 0xE4			Register Name: PG_CFG3 Default Value: 0x0000_0000
Bit	Read/Write	Default	Description
31:0	/	/	/

30.3.59. PG Data Register

Offset: 0xE8			Register Name: PG_DAT Default Value: 0x0000_0000
Bit	Read/Write	Default	Description
31:12	/	/	/
11:0	R/W	0	PG_DAT



			If the port is configured as input, the corresponding bit is the pin state. If the port is configured as output, the pin state is the same as the corresponding bit. The read bit value is the value setup by software. If the port is configured as functional pin, the undefined value will be read.
--	--	--	--

30.3.60. PG Multi-Driving Register 0

Offset: 0xEC			Register Name: PG_DRV0 Default Value: 0x0555_5555
Bit	Read/Write	Default	Description
31:20	/	/	/
[2i+1:2i] (i=0~11)	R/W	0x1	PG_DRV PG[n] Multi-Driving Select (n = 0~11) 00: Level 0 01: Level 1 10: Level 2 11: Level 3

30.3.61. PG Multi-Driving Register 1

Offset: 0xF0			Register Name: PG_DRV1 Default Value: 0x0000_0000
Bit	Read/Write	Default	Description
31:24	/	/	/

30.3.62. PG Pull Register 0

Offset: 0xF4			Register Name: PG_PULL0 Default Value: 0x0000_0000
Bit	Read/Write	Default	Description
31:24	/	/	/
[2i+1:2i] (i=0~11)	R/W	0x0	PG_PULL PG[n] Pull-up/down Select (n = 0~11) 00: Pull-up/down disable 01: Pull-up 10: Pull-down 11: Reserved

30.3.63. PG Pull Register 1

Offset: 0xF8			Register Name: PG_PULL1 Default Value: 0x0000_0000
---------------------	--	--	---



Bit	Read/Write	Default	Description
31:0	/	/	/

30.3.64. PH Configure Register 0

Offset: 0xFC			Register Name: PH_CFG0
			Default Value: 0x0000_0000
Bit	Read/Write	Default	Description
31	/	/	/
30:28	R/W	0	PH7_SELECT 000: Input 001: Output 010: LCD1_D7 011: ATAD3 100: UART5_RX 101: MS_CLK 110: EINT7 111: CSII_D7
27	/	/	/
26:24	R/W	0	PH6_SELECT 000: Input 001: Output 010: LCD1_D6 011: ATAD2 100: UART5_TX 101: MS_BS 110: EINT6 111: CSII_D6
23	/	/	/
22:20	R/W	0	PH5_SELECT 000: Input 001: Output 010: LCD1_D5 011: ATAD1 100: UART4_RX 101: Reserved 110: EINT5 111: CSII_D5
19	/	/	/
18:16	R/W	0	PH4_SELECT 000: Input 001: Output 010: LCD1_D4 011: ATAD0 100: UART4_TX 101: Reserved 110: EINT4 111: CSII_D4
15	/	/	/
14:12	R/W	0	PH3_SELECT 000: Input 001: Output 010: LCD1_D3 011: ATAIRQ 100: UART3_CTS 101: Reserved 110: EINT3 111: CSII_D3
11	/	/	/
10:8	R/W	0	PH2_SELECT 000: Input 001: Output 010: LCD1_D2 011: ATAA2



			100: UART3_RTS 110: EINT2	101: Reserved 111: CSII_D2
7	/	/	/	
6:4	R/W	0	PH1_SELECT 000: Input 010: LCD1_D1 100: UART3_RX 110: EINT1	001: Output 011: ATAA1 101: Reserved 111: CSII_D1
3	/	/	/	
2:0	R/W	0	PH0_SELECT 000: Input 010: LCD1_D0 100: UART3_TX 110: EINT0	001: Output 011: ATAA0 101: Reserved 111: CSII_D0

30.3.65. PH Configure Register 1

Offset: 0x100			Register Name: PH_CFG1 Default Value: 0x0000_0000	
Bit	Read/Write	Default	Description	
31	/	/	/	
30:28	R/W	0	PH15_SELECT 000: Input 010: LCD1_D15 100: KP_IN5 110: EINT15	001: Output 011: ATAD11 101: SMC_VPPPP 111: CSII_D15
27	/	/	/	
26:24	R/W	0	PH14_SELECT 000: Input 010: LCD1_D14 100: KP_IN4 110: EINT14	001: Output 011: ATAD10 101: SMC_VPPEN 111: CSII_D14
23	/	/	/	
22:20	R/W	0	PH13_SELECT 000: Input 010: LCD1_D13 100: PS2_SDA1 110: EINT13	001: Output 011: ATAD9 101: SMC_RST 111: CSII_D13
19	/	/	/	
18:16	R/W	0	PH12_SELECT 000: Input 010: LCD1_D12	001: Output 011: ATAD8



			100: PS2_SCK1 110: EINT12	101: Reserved 111: CSII_D12
15	/	/	/	
14:12	R/W	0	PH11_SELECT 000: Input 010: LCD1_D11 100: KP_IN3 110: EINT11	001: Output 011: ATAD7 101: MS_D3 111: CSII_D11
11	/	/	/	
10:8	R/W	0	PH10_SELECT 000: Input 010: LCD1_D10 100: KP_IN2 110: EINT10	001: Output 011: ATAD6 101: MS_D2 111: CSII_D10
7	/	/	/	
6:4	R/W	0	PH9_SELECT 000: Input 010: LCD1_D9 100: KP_IN1 110: EINT9	001: Output 011: ATAD5 101: MS_D1 111: CSII_D9
3	/	/	/	
2:0	R/W	0	PH8_SELECT 000: Input 010: LCD1_D8 100: KP_IN0 110: EINT8	001: Output 011: ATAD4 101: MS_D0 111: CSII_D8

30.3.66. PH Configure Register 2

Offset: 0x104			Register Name: PH_CFG2
			Default Value: 0x0000_0000
Bit	Read/Write	Default	Description
31	/	/	/
30:28	R/W	0	PH23_SELECT 000: Input 010: LCD1_D23 100: KP_OUT3 110: Reserved
27	/	/	/
26:24	R/W	0	PH22_SELECT 000: Input 010: LCD1_D22
			001: Output 011: ATADACK



			100: KP_OUT2 110: Reserved	101: SDC1_CMD 111: CSII_D22
23	/	/	/	/
22:20	R/W	0	PH21_SELECT 000: Input 010: LCD1_D21 100: CAN_RX 110: EINT21	001: Output 011: ATADREQ 101: Reserved 111: CSII_D21
19	/	/	/	/
18:16	R/W	0	PH20_SELECT 000: Input 010: LCD1_D20 100: CAN_TX 110: EINT20	001: Output 011: ATAOE 101: Reserved 111: CSII_D20
15	/	/	/	/
14:12	R/W	0	PH19_SELECT 000: Input 010: LCD1_D19 100: KP_OUT1 110: EINT19	001: Output 011: ATAD15 101: SMC_SDA 111: CSII_D19
11	/	/	/	/
10:8	R/W	0	PH18_SELECT 000: Input 010: LCD1_D18 100: KP_OUT0 110: EINT18	001: Output 011: ATAD14 101: SMC_SCK 111: CSII_D18
7	/	/	/	/
6:4	R/W	0	PH17_SELECT 000: Input 010: LCD1_D17 100: KP_IN7 110: EINT17	001: Output 011: ATAD13 101: SMC_VCCEN 111: CSII_D17
3	/	/	/	/
2:0	R/W	0	PH16_SELECT 000: Input 010: LCD1_D16 100: KP_IN6 110: EINT16	001: Output 011: ATAD12 101: Reserved 111: CSII_D16

30.3.67. PH Configure Register 3

Offset: 0x108	Register Name: PH_CFG3
---------------	------------------------

**30.3.69. PH Multi-Driving Register 0**

Offset: 0x110			Register Name: PH_DRV0 Default Value: 0x5555_5555
Bit	Read/Write	Default	Description
[2i+1:2i] (i=0~15)	R/W	0x1	PH_DRV PH[n] Multi-Driving Select (n = 0~15) 00: Level 0 01: Level 1 10: Level 2 11: Level 3

30.3.70. PH Multi-Driving Register 1

Offset: 0x114			Register Name: PH_DRV1 Default Value: 0x0055_5555
Bit	Read/Write	Default	Description
31:24	/	/	/
[2i+1:2i] (i=0~11)	R/W	0x1	PH_DRV PH[n] Multi-Driving Select (n = 16~27) 00: Level 0 01: Level 1 10: Level 2 11: Level 3

30.3.71. PH Pull Register 0

Offset: 0x118			Register Name: PH_PULL0 Default Value: 0x0000_0000
Bit	Read/Write	Default	Description
[2i+1:2i] (i=0~15)	R/W	0x0	PH_PULL PH[n] Pull-up/down Select (n = 0~15) 00: Pull-up/down disable 01: Pull-up 10: Pull-down 11: Reserved

30.3.72. PH Pull Register 1

Offset: 0x11C			Register Name: PH_PULL1 Default Value: 0x0000_0000
Bit	Read/Write	Default	Description
31:24	/	/	/
[2i+1:2i] (i=0~11)	R/W	0x0	PH_PULL PH[n] Pull-up/down Select (n = 16~27) 00: Pull-up/down disable 01: Pull-up enable



			10: Pull-down	11: Reserved
--	--	--	---------------	--------------

30.3.73. PI Configure Register 0

Offset: 0x120			Register Name: PI_CFG0 Default Value: 0x0000_0000	
Bit	Read/Write	Default	Description	
31	/	/	/	
30:28	R/W	0	PI7_SELECT 000: Input 010: SDC3_D1 100: Reserved 110: Reserved	001: Output 011: Reserved 101: Reserved 111: Reserved
27	/	/	/	
26:24	R/W	0	PI6_SELECT 000: Input 010: SDC3_D0 100: Reserved 110: Reserved	001: Output 011: Reserved 101: Reserved 111: Reserved
23	/	/	/	
22:20	R/W	0	PI5_SELECT 000: Input 010: SDC3_CLK 100: Reserved 110: Reserved	001: Output 011: Reserved 101: Reserved 111: Reserved
19	/	/	/	
18:16	R/W	0	PI4_SELECT 000: Input 010: SDC3_CMD 100: Reserved 110: Reserved	001: Output 011: Reserved 101: Reserved 111: Reserved
15	/	/	/	
14:12	R/W	0	PI3_SELECT 000: Input 010: PWM1 100: Reserved 110: Reserved	001: Output 011: Reserved 101: Reserved 111: Reserved
11	/	/	/	
10:8	R/W	0	PI2_SELECT 000: Input 010: Reserved 100: Reserved	001: Output 011: Reserved 101: Reserved



			110: Reserved	111: Reserved
7	/	/	/	
6:4	R/W	0	PI1_SELECT 000: Input 010: Reserved 100: Reserved 110: Reserved	001: Output 011: Reserved 101: Reserved 111: Reserved
3	/	/	/	
2:0	R/W	0	PI0_SELECT 000: Input 010: Reserved 100: Reserved 110: Reserved	001: Output 011: Reserved 101: Reserved 111: Reserved

30.3.74. PI Configure Register 1

Offset: 0x124			Register Name: PI_CFG1 Default Value: 0x0000_0000	
Bit	Read/Write	Default	Description	
31	/	/	/	
30:28	R/W	0	PI15_SELECT 000: Input 010: SPI1_CS1 100: TCLKIN1 110: EINT27	001: Output 011: PS2_SDA1 101: Reserved 111: Reserved
27	/	/	/	
26:24	R/W	0	PI14_SELECT 000: Input 010: SPI0_CS1 100: TCLKIN0 110: EINT26	001: Output 011: PS2_SCK1 101: Reserved 111: Reserved
23	/	/	/	
22:20	R/W	0	PI13_SELECT 000: Input 010: SPI0_MISO 100: Reserved 110: EINT25	001: Output 011: UART6_RX 101: Reserved 111: Reserved
19	/	/	/	
18:16	R/W	0	PI12_SELECT 000: Input 010: SPI0_MOSI 100: Reserved	001: Output 011: UART6_TX 101: Reserved



			110: EINT24	111: Reserved
15	/	/	/	
14:12	R/W	0	PI11_SELECT 000: Input 010: SPI0_CLK 100: Reserved 110: EINT23	001: Output 011: UART5_RX 101: Reserved 111: Reserved
11	/	/	/	
10:8	R/W	0	PI10_SELECT 000: Input 010: SPI0_CS0 100: Reserved 110: EINT22	001: Output 011: UART5_TX 101: Reserved 111: Reserved
7	/	/	/	
6:4	R/W	0	PI9_SELECT 000: Input 010: SDC3_D3 100: Reserved 110: Reserved	001: Output 011: Reserved 101: Reserved 111: Reserved
3	/	/	/	
2:0	R/W	0	PI8_SELECT 000: Input 010: SDC3_D2 100: Reserved 110: Reserved	001: Output 011: Reserved 101: Reserved 111: Reserved

30.3.75. PI Configure Register 2

Offset: 0x128			Register Name: PI_CFG2 Default Value: 0x0000_0000	
Bit	Read/Write	Default	Description	
31:24	/	/	/	
23	/	/	/	
22:20	R/W	0	PI21_SELECT 000: Input 010: PS2_SDA0 100: HSDA 110: Reserved	001: Output 011: UART7_RX 101: Reserved 111: Reserved
19	/	/	/	
18:16	R/W	0	PI20_SELECT 000: Input 010: PS2_SCK0	001: Output 011: UART7_TX



			100: HSCL 110: Reserved	101: Reserved 111: Reserved
15	/	/	/	
14:12	R/W	0	PI19_SELECT 000: Input 010: SPI1_MISO 100: Reserved 110: EINT31	001: Output 011: UART2_RX 101: Reserved 111: Reserved
11	/	/	/	
10:8	R/W	0	PI18_SELECT 000: Input 010: SPI1_MOSI 100: Reserved 110: EINT30	001: Output 011: UART2_TX 101: Reserved 111: Reserved
7	/	/	/	
6:4	R/W	0	PI17_SELECT 000: Input 010: SPI1_CLK 100: Reserved 110: EINT29	001: Output 011: UART2_CTS 101: Reserved 111: Reserved
3	/	/	/	
2:0	R/W	0	PI16_SELECT 000: Input 010: SPI1_CS0 100: Reserved 110: EINT28	001: Output 011: UART2_RTS 101: Reserved 111: Reserved

30.3.76. PI Configure Register 3

Offset: 0x12C			Register Name: PI_CFG3 Default Value: 0x0000_0000
Bit	Read/Write	Default	Description
31:0	/	/	/

30.3.77. PI Data Register

Offset: 0x130			Register Name: PI_DAT Default Value: 0x0000_0000
Bit	Read/Write	Default	Description
31:13	/	/	/
12:0	R/W	0	PI_DAT



			If the port is configured as input, the corresponding bit is the pin state. If the port is configured as output, the pin state is the same as the corresponding bit. The read bit value is the value setup by software. If the port is configured as functional pin, the undefined value will be read.
--	--	--	--

30.3.78. PI Multi-Driving Register 0

Offset: 0x134			Register Name: PI_DRV0 Default Value: 0x0155_5555
Bit	Read/Write	Default	Description
31:26	/	/	/
[2i+1:2i] (i=0~12)	R/W	0x1	PI_DRV PI[n] Multi-Driving Select (n = 0~12) 00: Level 0 01: Level 1 10: Level 2 11: Level 3

30.3.79. PI Multi-Driving Register 1

Offset: 0x138			Register Name: PI_DRV1 Default Value: 0x0000_0000
Bit	Read/Write	Default	Description
31:0	/	/	/

30.3.80. PI Pull Register 0

Offset: 0x13C			Register Name: PI_PULL0 Default Value: 0x0000_0000
Bit	Read/Write	Default	Description
31:26	/	/	/
[2i+1:2i] (i=0~12)	R/W	0x0	PI_PULL PI[n] Pull-up/down Select (n = 0~12) 00: Pull-up/down disable 01: Pull-up 10: Pull-down 11: Reserved

30.3.81. PI Pull Register 1

Offset: 0x140			Register Name: PI_PULL1 Default Value: 0x0000_0000
Bit	Read/Write	Default	Description



31:0	/	/	/
------	---	---	---

30.3.82. PIO Interrupt Configure Register 0

Offset: 0x200			Register Name: PIO_INT_CFG0 Default Value: 0x0000_0000
Bit	Read/Write	Default	Description
[4i+3:4i] (i=0~7)	R/W	0	PIO_INT_CFG External INTn Mode (n = 0~7) 0x0: Positive Edge 0x1: Negative Edge 0x2: High Level 0x3: Low Level 0x4: Double Edge (Positive/ Negative) Others: Reserved

30.3.83. PIO Interrupt Configure Register 1

Offset: 0x204			Register Name: PIO_INT_CFG1 Default Value: 0x0000_0000
Bit	Read/Write	Default	Description
[4i+3:4i] (i=0~7)	R/W	0	PIO_INT_CFG External INTn Mode (n = 8~15) 0x0: Positive Edge 0x1: Negative Edge 0x2: High Level 0x3: Low Level 0x4: Double Edge (Positive/ Negative) Others: Reserved

30.3.84. PIO Interrupt Configure Register 2

Offset: 0x208			Register Name: PIO_INT_CFG2 Default Value: 0x0000_0000
Bit	Read/Write	Default	Description
[4i+3:4i] (i=0~7)	R/W	0	PIO_INT_CFG External INTn Mode (n = 16~23) 0x0: Positive Edge 0x1: Negative Edge 0x2: High Level 0x3: Low Level



			0x4: Double Edge (Positive/ Negative) Others: Reserved
--	--	--	---

30.3.85. PIO Interrupt Configure Register 3

Offset: 0x20C			Register Name: PIO_INT_CFG3 Default Value: 0x0000_0000
Bit	Read/Write	Default	Description
[4i+3:4i] (i=0~7)	R/W	0	PIO_INT_CFG External INTn Mode (n = 24~31) 0x0: Positive Edge 0x1: Negative Edge 0x2: High Level 0x3: Low Level 0x4: Double Edge (Positive/ Negative) Others: Reserved

30.3.86. PIO Interrupt Control Register

Offset: 0x210			Register Name: PIO_INT_CTL Default Value: 0x0000_0000
Bit	Read/Write	Default	Description
[n] (n=0~31)	R/W	0	PIO_INT_CTL External INTn Enable (n = 0~31) 0: Disable 1: Enable

30.3.87. PIO Interrupt Status Register

Offset: 0x214			Register Name: PIO_INT_STATUS Default Value: 0x0000_0000
Bit	Read/Write	Default	Description
[n] (n=0~31)	R/W	0	PIO_INT_STATUS External INTn Pending Bit (n = 0~31) 0: No IRQ pending 1: IRQ pending Write '1' to clear



30.3.88. PIO Interrupt Debounce Register

Offset: 0x218			Register Name: PIO_INT_DEB Default Value: 0x0000_0000
Bit	Read/Write	Default	Description
31:7	/	/	/
6:4	R/W	0	DEB_CLK_PRE_SCALE Debounce Clock Pre-scale n The selected clock source is prescaled by 2^n.
3:1	/	/	/
0	R/W	0	PIO_INT_CLK_SELECT PIO Interrupt Clock Select 0: LOSC 32Khz 1: HOSC 24Mhz



31. CSI0 with ISP FE

31.1. Overview

CSI0 is a flexible camera sensor interface, which supports 8 bits raw data and 16 bits YUV422 data input, and it can parse input data to memory through user format configuration. CSI0 has a built-in ISP which can provide AWB, AE Control, Auto Focus, Lens Shade Corrector, Bad Pixel Correction, and etc.

31.2. Feature

31.2.1. CSI

- 8 bits input data
- Support CCIR656 protocol for NTSC and PAL
- 3 parallel data paths for image stream parsing
- Received data double buffer support
- Parsing BAYER data into planar R, G, B output to memory
- Parsing interlaced data into planar or tie-based YCbCr output to memory
- Pass raw data direct to memory
- All data transmit timing can be adjusted by software
- support multi-channel ITU-R BT.656 time-multiplexed format
- luminance statistical value
- support 8-bit raw data input
- support 16-bit YUV422 data input

31.2.2. ISP FE

- Digital clamp with horizontal/vertical offset compensation
- Lens shading correction
- Color dependent gain control and black level offset control
- Dark frame subtract of raw image stored
- AE/AF/AWB statistics
- Histogram statistics
- DC subtract for Y channel
- LUT Defect Pixel correction
- Double buffer for enable and output address registers

31.3. Block diagram

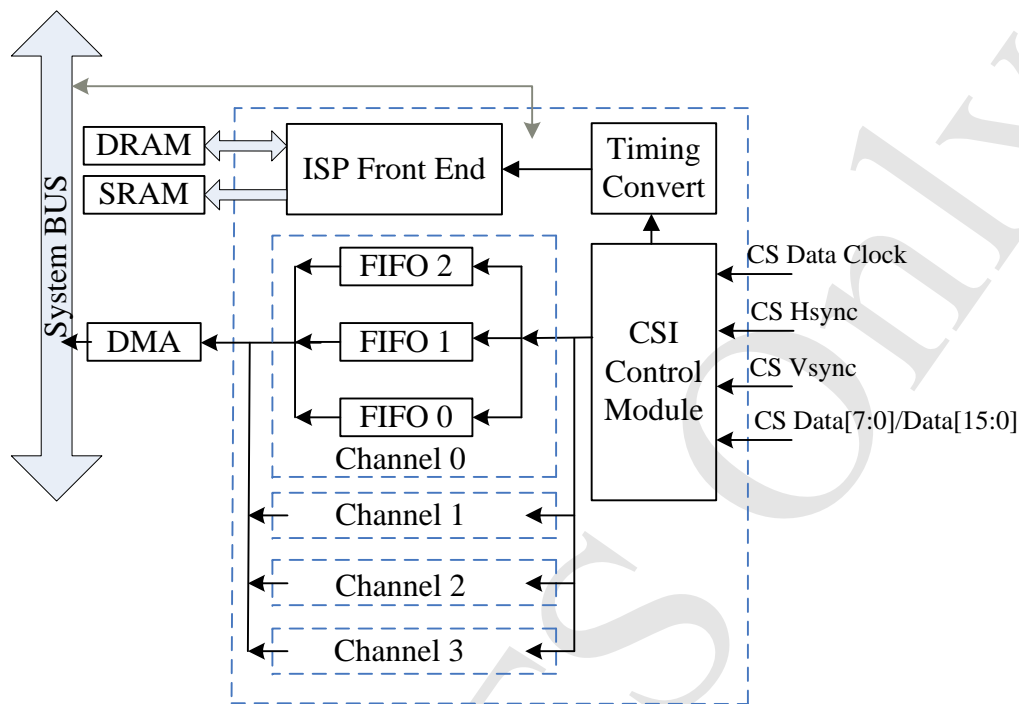


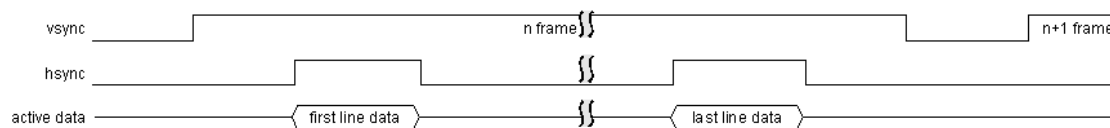
Figure31-1

31.3.1.CSI data ports

	Bayer	YCbCr (YUV)	Interlaced	Pass-through
FIFO0	Red pixel data	Y pixel data	All field 1 pixel data	All pixel data
FIFO1	Green pixel data	Cb (U) pixel data	All field 2 pixel data	-
FIFO2	Blue pixel data	Cr (V) pixel data	-	-

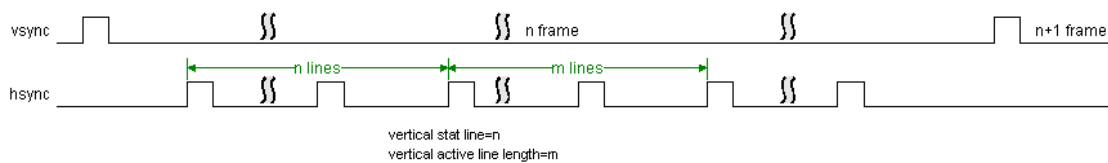
31.4. Timing

31.4.1.CSI timing



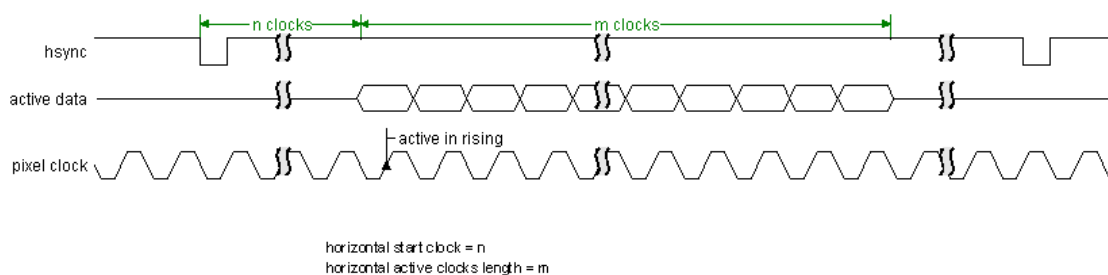
Vref= positive; Href= positive

Figure31-2



vertical size setting

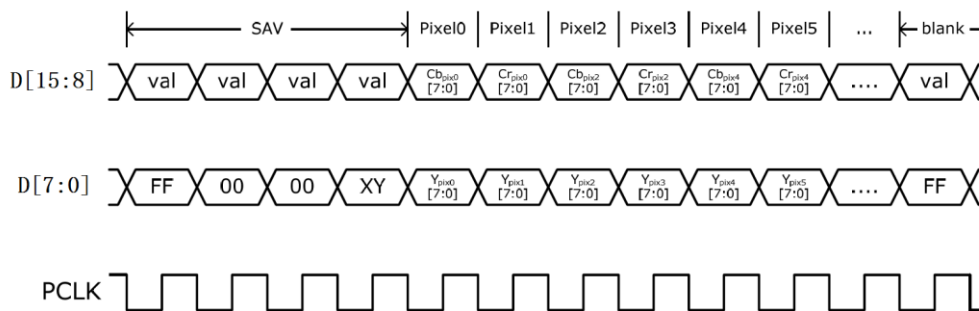
Figure31-3



horizontal size setting and pixel clock timing(Href= positive)

Figure31-4

31.4.2.16bit YUV422 Timing



16-bit YCbCr 4:2:2 with embedded syncs

Figure31-5

31.4.3.CCIR656 2 channel Timing

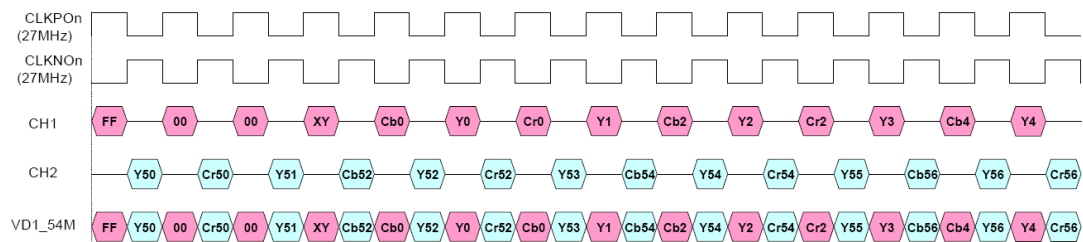


Figure31-6

31.4.4. CCIR656 4 channel Timing

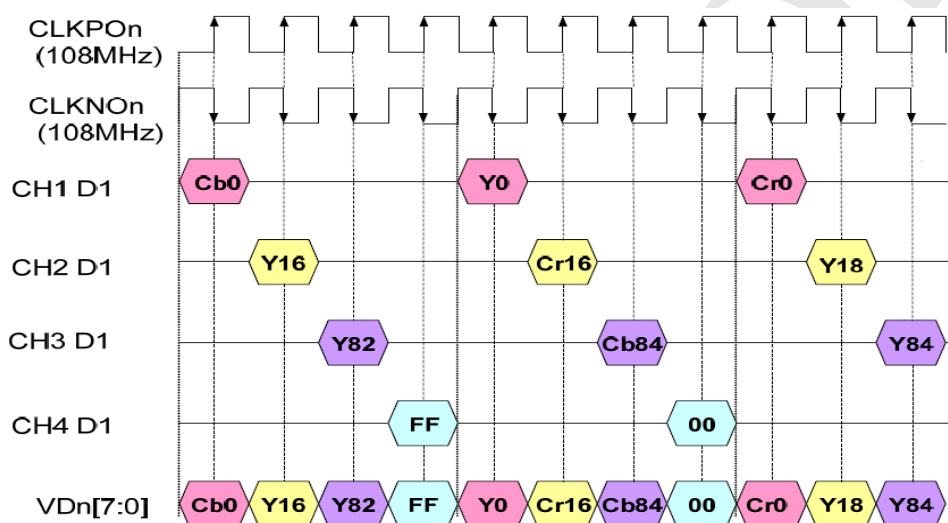


Figure31-7

31.4.5. CCIR656 Header Code

CCIR656 Header Data Bit Definition

Data Bit	First Word(0xFF)	Second Word(0x00)	Third Word(0x00)	Fourth Word
CS D[9] (MSB)	1	0	0	1
CS D[8]	1	0	0	F
CS D[7]	1	0	0	V
CS D[6]	1	0	0	H
CS D[5]	1	0	0	P3
CS D[4]	1	0	0	P2
CS D[3]	1	0	0	P1
CS D[2]	1	0	0	P0
CS D[1]	x	x	x	x



CS D[0]	x	x	x	x
---------	---	---	---	---

For compatibility with an 8-bit interface, CS D[1] and CS D[0] are not defined.

Decode	F	V	H	P3	P2	P1	P0
Field 1 start of active video (SAV)	0	0	0	0	0	0	0
Field 1 end of active video (EAV)	0	0	1	1	1	0	1
Field 1 SAV (digital blanking)	0	1	0	1	0	1	1
Field 1 EAV (digital blanking)	0	1	1	0	1	1	0
Field 2 SAV	1	0	0	0	1	1	1
Field 2 EAV	1	0	1	1	0	1	0
Field 2 SAV (digital blanking)	1	1	0	1	1	0	0
Field 2 EAV (digital blanking)	1	1	1	0	0	0	1

Multi-Channel:

Condition			656 FVH Value			SAV-EAV Code						
Field	V-time	H-time	F	V	H	First	Second	Third	Fourth			
									Ch1	Ch2	Ch3	Ch4
EVEN	BLANK	EAV	1	1	1	0xFF	0x00	0x00	0xF0	0xF1	0xF2	0xF3
EVEN	BLANK	SAV	1	1	0	0xFF	0x00	0x00	0xE0	0xE1	0xE2	0xE3
EVEN	ACTIVE	EAV	1	0	1	0xFF	0x00	0x00	0xD0	0xD1	0xD2	0xD3
EVEN	ACTIVE	SAV	1	0	0	0xFF	0x00	0x00	0xC0	0xC1	0xC2	0xC3
ODD	BLANK	EAV	0	1	1	0xFF	0x00	0x00	0xB0	0xB1	0xB2	0xB3
ODD	BLANK	SAV	0	1	0	0xFF	0x00	0x00	0xA0	0xA1	0xA2	0xA3
ODD	ACTIVE	EAV	0	0	1	0xFF	0x00	0x00	0x90	0x91	0x92	0x93
ODD	ACTIVE	SAV	0	0	0	0xFF	0x00	0x00	0x80	0x81	0x82	0x83

Figure39-8

31.5. CSI0 Register List

Module Name	Base Address
CSI0	0x01C09000

Register Name	Offset	Register name
CSI0_EN_REG	0X000	CSI enable register
CSI0_CFG_REG	0X004	CSI configuration register
CSI0_CAP_REG	0X008	CSI capture control register
CSI0_SCALE_REG	0X00C	CSI scale register
CSI0_C0_F0_BUFA_REG	0X010	CSI Channel_0 FIFO 0 output buffer-A address register
CSI0_C0_F0_BUFB_REG	0X014	CSI Channel_0 FIFO 0 output buffer-B address register



CSI0_C0_F1_BUFA_REG	0X018	CSI Channel_0 FIFO 1 output buffer-A address register
CSI0_C0_F1_BUFB_REG	0X01C	CSI Channel_0 FIFO 1 output buffer-B address register
CSI0_C0_F2_BUFA_REG	0X020	CSI Channel_0 FIFO 2 output buffer-A address register
CSI0_C0_F2_BUFB_REG	0X024	CSI Channel_0 FIFO 2 output buffer-B address register
CSI0_C0_BUF_CTL_REG	0X028	CSI Channel_0 output buffer control register
CSI0_C0_BUF_STA_REG	0X02C	CSI Channel_0 status register
CSI0_C0_INT_EN_REG	0X030	CSI Channel_0 interrupt enable register
CSI0_C0_INT_STA_REG	0X034	CSI Channel_0 interrupt status register
CSI0_C0_HSIZE_REG	0X040	CSI Channel_0 horizontal size register
CSI0_C0_VSIZE_REG	0X044	CSI Channel_0 vertical size register
CSI0_C0_BUF_LEN_REG	0X048	CSI Channel_0 line buffer length register
CSI0_C1_F0_BUFA_REG	0X110	CSI Channel_1 FIFO 0 output buffer-A address register
CSI0_C1_F0_BUFB_REG	0X114	CSI Channel_1 FIFO 0 output buffer-B address register
CSI0_C1_F1_BUFA_REG	0X118	CSI Channel_1 FIFO 1 output buffer-A address register
CSI0_C1_F1_BUFB_REG	0X11C	CSI Channel_1 FIFO 1 output buffer-B address register
CSI0_C1_F2_BUFA_REG	0X120	CSI Channel_1 FIFO 2 output buffer-A address register
CSI0_C1_F2_BUFB_REG	0X124	CSI Channel_1 FIFO 2 output buffer-B address register
CSI0_C1_BUF_CTL_REG	0X128	CSI Channel_1 output buffer control register
CSI0_C1_BUF_STA_REG	0X12C	CSI Channel_1 status register
CSI0_C1_INT_EN_REG	0X130	CSI Channel_1 interrupt enable register
CSI0_C1_INT_STA_REG	0X134	CSI Channel_1 interrupt status register
CSI0_C1_HSIZE_REG	0X140	CSI Channel_1 horizontal size register
CSI0_C1_VSIZE_REG	0X144	CSI Channel_1 vertical size register



CSI0_C1_BUF_LEN_REG	0X148	CSI Channel_1 line buffer length register
CSI0_C2_F0_BUFA_REG	0X210	CSI Channel_2 FIFO 0 output buffer-A address register
CSI0_C2_F0_BUFB_REG	0X214	CSI Channel_2 FIFO 0 output buffer-B address register
CSI0_C2_F1_BUFA_REG	0X218	CSI Channel_2 FIFO 1 output buffer-A address register
CSI0_C2_F1_BUFB_REG	0X21C	CSI Channel_2 FIFO 1 output buffer-B address register
CSI0_C2_F2_BUFA_REG	0X220	CSI Channel_2 FIFO 2 output buffer-A address register
CSI0_C2_F2_BUFB_REG	0X224	CSI Channel_2 FIFO 2 output buffer-B address register
CSI0_C2_BUF_CTL_REG	0X228	CSI Channel_2 output buffer control register
CSI0_C2_BUF_STA_REG	0X22C	CSI Channel_2 status register
CSI0_C2_INT_EN_REG	0X230	CSI Channel_2 interrupt enable register
CSI0_C2_INT_STA_REG	0X234	CSI Channel_2 interrupt status register
CSI0_C2_HSIZE_REG	0X240	CSI Channel_2 horizontal size register
CSI0_C2_VSIZE_REG	0X244	CSI Channel_2 vertical size register
CSI0_C2_BUF_LEN_REG	0X248	CSI Channel_2 line buffer length register
CSI0_C3_F0_BUFA_REG	0X310	CSI Channel_3 FIFO 0 output buffer-A address register
CSI0_C3_F0_BUFB_REG	0X314	CSI Channel_3 FIFO 0 output buffer-B address register
CSI0_C3_F1_BUFA_REG	0X318	CSI Channel_3 FIFO 1 output buffer-A address register
CSI0_C3_F1_BUFB_REG	0X31C	CSI Channel_3 FIFO 1 output buffer-B address register
CSI0_C3_F2_BUFA_REG	0X320	CSI Channel_3 FIFO 2 output buffer-A address register
CSI0_C3_F2_BUFB_REG	0X324	CSI Channel_3 FIFO 2 output buffer-B address register
CSI0_C3_BUF_CTL_REG	0X328	CSI Channel_3 output buffer control register
CSI0_C3_BUF_STA_REG	0X32C	CSI Channel_3 status register
CSI0_C3_INT_EN_REG	0X330	CSI Channel_3 interrupt enable register



		register
CSI0_C3_INT_STA_REG	0X334	CSI Channel_3 interrupt status register
CSI0_C3_HSIZE_REG	0X340	CSI Channel_3 horizontal size register
CSI0_C3_VSIZE_REG	0X344	CSI Channel_3 vertical size register
CSI0_C3_BUF_LEN_REG	0X348	CSI Channel_3 line buffer length register
ISP_FE_EN_REG	0X400	ISP Enable register
ISP_FE_MODE_REG	0X404	ISP Mode register
/	0X408	/
/	0X40C	/
ISP_FE_OB_SIZE_REG	0X410	ISP OBC Image Black size register
ISP_FE_OB_VALID_REG	0X414	ISP OBC Image Valid size register
ISP_FE_OB_START_REG	0X418	ISP OBC Image Start register
ISP_FE_OB_CFG_REG	0X41C	ISP OBC configuration register
ISP_FE_HOB_POS_REG	0X420	ISP Horizontal OBC window start register
ISP_FE_VOB_POS_REG	0X424	ISP Vertical OBC window start register
ISP_FE_VOB_PARA_REG	0X428	ISP Vertical OBC parameter register
ISP_FE_OB_FIXED_REG	0X42C	ISP OBC fixed value register
ISP_FE_OB_OFFSET_REG	0X430	ISP OBC offset register
ISP_FE_OB_CLAMP_REG	0X434	ISP OBC clamp value register
	0X438	
ISP_FE_LSC_CFG_REG	0X43C	ISP LSC configuration register
ISP_FE_LSC_ADDR_REG	0X440	ISP LSC gain factor address register
ISP_FE_LSC_LEN_REG	0X444	ISP LSC gain factor address length register
/	0X448	/
ISP_FE_OFFSET_REG	0X44C	ISP Offset register
ISP_FE_GAIN_REG	0X450	ISP Gain Factor register
/	0X454	/
/	0X458	/
ISP_FE_DF_EN_REG	0X45C	ISP Dark Frame Enable register
ISP_FE_DF_ADDR_REG	0X460	ISP Dark Frame buffer address register
ISP_FE_DF_LEN_REG	0X464	ISP Dark Frame buffer address length register
/	0X468	Reserved
ISP_FE_DC_SUB_REG	0X46C	ISP luma DC subtraction value register



ISP_FE_M_FIL_TH_REG	0X470	ISP H3A Median filter threshold register
ISP_FE_AF_NUM_REG	0X474	ISP AF window number register
ISP_FE_AF_SIZE_REG	0X478	ISP AF window size register
ISP_FE_AF_POS_REG	0X47C	ISP AF window start register
ISP_FE_AF_CFG_REG	0X480	ISP AF configuration register
ISP_FE_AF_PARA0_REG	0X484	ISP AF filter parameter 0 register
ISP_FE_AF_PARA1_REG	0X488	ISP AF filter parameter 1 register
ISP_FE_AF_PARA2_REG	0X48C	ISP AF filter parameter 2 register
/	0X490	/
/	0X494	/
/	0X498	/
ISP_FE_AWBE_NUM_REG	0X49C	ISP AWBE window number register
ISP_FE_AWBE_SIZE_REG	0X4A0	ISP AWBE window size register
ISP_FE_AWBE_POS_REG	0X4A4	ISP AWBE window start register
ISP_FE_AWBE_CFG_REG	0X4A8	ISP AWBE configuration register
/	0X4AC	/
/	0X4B0	/
/	0X4B4	/
ISP_FE_HIST0_SIZE_REG	0X4B8	ISP Histogram region 0 window size register
ISP_FE_HIST0_POS_REG	0X4BC	ISP Histogram region 0 window start register
ISP_FE_HIST1_SIZE_REG	0X4C0	ISP Histogram region 1 window size register
ISP_FE_HIST1_POS_REG	0X4C4	ISP Histogram region 1 window start register
ISP_FE_HIST2_SIZE_REG	0X4C8	ISP Histogram region 2 window size register
ISP_FE_HIST2_POS_REG	0X4CC	ISP Histogram region 2 window start register
ISP_FE_HIST3_SIZE_REG	0X4D0	ISP Histogram region 3 window size register
ISP_FE_HIST3_POS_REG	0X4D4	ISP Histogram region 3 window start register
ISP_FE_3A_ADDR_REG	0X4D8	ISP 3A Statistics output address register
/	0X4DC	/
/	0X4E0	/
ISP_FE_LUT_DC_CFG_REG	0X4E4	ISP LUT Defect Correction configuration register
ISP_FE_LUT_DC_ADDR_REG	0X4E8	ISP LUT Defect Correction address



		register
ISP_FE_Y_LEN_REG	0X4EC	ISP FE Y/Raw output Address length register
ISP_FE_Y_ADDR_REG	0X4F0	ISP FE Y/Raw output Address register
ISP_FE_INT_EN_REG	0X4F4	ISP interrupt enable register
ISP_FE_INT_STA_REG	0X4F8	ISP interrupt status register
/	0X4FC	/
ISP_FE_C_LEN_REG	0X500	ISP FE CbCr output Address length register
ISP_FE_C_ADDR_REG	0X504	ISP FE CbCr output Address register

31.6. CSI0 Register Description

31.6.1. CSI Enable Register

Offset: 0x0000			Register Name: CSI0_EN_REG
Bit	Read/Write	Default/Hex	Description
31:10	/	/	/
9	R/W	0	PCLK_CNT Pclk count per frame
8	R/W	0	LUMA_EN Luma enable
7:5	/	/	/
4	R/W	0	NON16_ADD Non-16 add 0x00
3	R/W	0	RD_FIFO_EN Read fifo [3]fifo enable, fifo address[01c09800~01c09ffc]
2	R/W	0	FIELD_REV Ccir656 field_reverse
1	/	/	/
0	R/W	0	CSI_EN Enable 0: Reset and disable the CSI module 1: Enable the CSI module

31.6.2. CSI configuration register

Offset Address: 0X0004	Register Name: CSI0_CFG_REG
------------------------	-----------------------------



Bit	Read/ Write	Default /Hex	Description
31:23	/	/	/
22:20	R/W	3	<p>INPUT_FMT</p> <p>Input data format</p> <p>000: RAW stream</p> <p>001: reserved</p> <p>010: CCIR656(one channel)</p> <p>011: YUV422</p> <p>100: YUV422 16bit data bus</p> <p>101: two channel CCIR656</p> <p>110: reserved</p> <p>111: four channel CCIR656</p>
19:16	R/W	0	<p>OUTPUT_FMT</p> <p>Output data format</p> <p>When the input format is set RAW stream</p> <p>0000: pass-through</p> <p>When the input format is set CCIR656 interface</p> <p>0000: field planar YCbCr 422</p> <p>0001: field planar YCbCr 420</p> <p>0010: frame planar YCbCr 420</p> <p>0011: frame planar YCbCr 422</p> <p>0100: field planar YCbCr 422 UV combined</p> <p>0101: field planar YCbCr 420 UV combined</p> <p>0110: frame planar YCbCr 420 UV combined</p> <p>0111: frame planar YCbCr 422 UV combined</p> <p>1111: interlaced interleaved YCbCr422. In this mode, capturing interlaced input and output the interlaced fields from individual ports. Field 1 data will be wrote to FIFO0 output buffer and field 2 data will be wrote to FIFO1 output buffer.</p> <p>1000: field tiled based YCbCr 422</p> <p>1001: field tiled based YCbCr 420</p> <p>1010: frame tiled based YCbCr 420</p> <p>1011: frame tiled based YCbCr 422</p> <p>When the input format is set YUV422</p> <p>0000: planar YUV 422</p> <p>0001: planar YUV 420</p> <p>0100: planar YUV 422 UV combined</p> <p>0101: planar YUV 420 UV combined</p> <p>1000: tiled based YUV 422</p>



			1001: tiled based YUV 420
15:12	/	/	/
11:10	R/W	0	FIELD_SEL Field selection. Applies to CCIR656 interface only. 00: start capturing with field 1. 01: start capturing with field 2. 10: start capturing with either field. 11: reserved
09:08	R/W	2	INPUT_SEQ Input data sequence, only valid for YUV422 mode.
07:03	/	/	/
02	R/W	1	VREF_POL Vref polarity 0: negative 1: positive This register is not apply to CCIR656 interface.
01	R/W	0	HERF_POL Href polarity 0: negative 1: positive This register is not apply to CCIR656 interface.
00	R/W	1	CLK_POL Data clock type 0: active in falling edge 1: active in rising edge

31.6.3. CSI capture control register

Offset Address: 0X0008			Register Name: CSI0_CAP_REG
Bit	Read/ Write	Default /Hex	Description
31:02	/	/	/
01	R/W	0	VCAP_ON Video capture control: Capture the video image data stream. 0: Disable video capture If video capture is in progress, the CSI stops capturing image data at the end of the current frame, and all of the current frame data is wrote to output FIFO. 1: Enable video capture The CSI starts capturing image data at the start of the next frame.
00	W	0	SCAP_ON Still capture control: Capture a single still image frame.



			<p>0: Disable still capture. 1: Enable still capture</p> <p>The CSI module starts capturing image data at the start of the next frame. The CSI module captures only one frame of image data.</p> <p>This bit is self clearing and always reads as a 0.</p>
--	--	--	--

31.6.4. CSI horizontal scale register

Offset Address: 0X000C			Register Name: CSI0_SCALE_REG
Bit	Read/Write	Default/Hex	Description
31:28	/	/	/
27:24	R/W	F	<p>VER_MASK</p> <p>Vertical (line) mask. Every 4-line is a mask group. Bit 24 mask the first line, bit 25 mask the second line, and so on. Mask bit = 0 means discarding this line data.</p>
23:16	/	/	/
15:00	R/W	FFFF	<p>HOR_MASK</p> <p>Horizontal (datastream) mask. Every 16-byte is a mask group. Bit 0 mask the first byte, bit 1 mask the second byte, and so on. Mask bit = 0 means discarding this byte from the datastream.</p>

31.6.5. CSI Channel_0 FIFO 0 output buffer-A address register

Offset Address: 0X0010			Register Name: CSI0_C0_F0_BUFA_REG
Bit	Read/Write	Default/Hex	Description
31:00	R/W	0	<p>COF0_BUFA</p> <p>FIFO 0 output buffer-A address</p>

31.6.6. CSI Channel_0 FIFO 0 output buffer-B address register

Offset Address: 0X0014			Register Name: CSI0_C0_F0_BUF_B_REG
Bit	Read/Write	Default/Hex	Description
31:00	R/W	0	<p>COF0_BUF_B</p> <p>FIFO 0 output buffer-B address</p>

**31.6.7. CSI Channel_0 FIFO 1 output buffer-A address register**

Offset Address: 0X0018			Register Name: CSI0_C0_F1_BUFA_REG
Bit	Read/ Write	Default /Hex	Description
31:00	R/W	0	C0F1_BUFA FIFO 1 output buffer-A address

31.6.8. CSI Channel_0 FIFO 1 output buffer-B address register

Offset Address: 0X001C			Register Name: CSI0_C0_F1_BUFB_REG
Bit	Read/ Write	Default /Hex	Description
31:00	R/W	0	C0F1_BUFB FIFO 1 output buffer-B address

31.6.9. CSI Channel_0 FIFO 2 output buffer-A address register

Offset Address: 0X0020			Register Name: CSI0_C0_F2_BUFA_REG
Bit	Read/ Write	Default /Hex	Description
31:00	R/W	0	C0F2_BUFA FIFO 2 output buffer-A address

31.6.10. CSI Channel_0 FIFO 2 output buffer-B address register

Offset Address: 0X0024			Register Name: CSI0_C0_F2_BUFB_REG
Bit	Read/ Write	Default /Hex	Description
31:00	R/W	0	C0F2_BUFB FIFO 2 output buffer-B address

31.6.11. CSI Channel_0 output buffer control register

Offset Address: 0X0028			Register Name: CSI0_C0_BUF_CTL_REG
-------------------------------	--	--	---



Bit	Read/ Write	Default /Hex	Description
31:03	/	/	/
02	R/W	0	DBN Buffer selected at next storing for CSI 0: Next buffer selection is buffer-A 1: Next buffer selection is buffer-B
01	R	0	DBS output buffer selected status 0: Selected output buffer-A 1: Selected output buffer-B
00	R/W	0	DBE Double buffer mode enable 0: disable 1: enable If the double buffer mode is disabled, the buffer-A will be always selected by CSI module.

31.6.12. CSI Channel_0 status register

Offset Address: 0X002C			Register Name: CSI0_C0_BUF_STA_REG
Bit	Read/ Write	Default /Hex	Description
31:08	R	0	LUM_STATIS luminance statistical value When frame done interrupt flag come, value is ready and will last until next frame done. For raw data, value = $(G \gg 1 + R + G) \gg 8$ For yuv422, value = $Y \gg 8$
07:02	/	/	/
01	R	0	VCAP_STA Video capture in progress Indicates the CSI is capturing video image data (multiple frames). The bit is set at the start of the first frame after enabling video capture. When software disables video capture, it clears itself after the last pixel of the current frame is captured.
00	R	0	SCAP_STA Still capture in progress Indicates the CSI is capturing still image data (single frame). The bit is set at the start of the first frame after enabling still frame capture. It clears itself after the last pixel of the first frame is captured.



			For CCIR656 interface, if the output format is frame planar YCbCr 420 mode, the frame end means the field2 end, the other frame end means filed end.
--	--	--	--

31.6.13. CSI Channel_0 interrupt enable register

Offset Address: 0X0030			Register Name: CSI0_C0_INT_EN_REG
Bit	Read/Write	Default/Hex	Description
31:08	/	/	/
07	R/W	0	VS_INT_EN vsync flag The bit is set when vsync come. And at this time load the buffer address for the coming frame. So after this irq come, change the buffer address could only effect next frame
06	R/W	0	HB_OF_INT_EN Hblank FIFO overflow The bit is set when 3 FIFOs still overflow after the hblank.
		0	PRTC_ERR_INT_EN
04	R/W	0	FIFO2_OF_INT_EN FIFO 2 overflow The bit is set when the FIFO 2 become overflow.
03	R/W	0	FIFO1_OF_INT_EN FIFO 1 overflow The bit is set when the FIFO 1 become overflow.
02	R/W	0	FIFO0_OF_INT_EN FIFO 0 overflow The bit is set when the FIFO 0 become overflow.
01	R/W	0	FD_INT_EN Frame done Indicates the CSI has finished capturing an image frame. Applies to video capture mode. The bit is set after each completed frame capturing data is wrote to buffer as long as video capture remains enabled.
00	R/W	0	CD_INT_EN Capture done Indicates the CSI has completed capturing the image data. For still capture, the bit is set when one frame data has been wrote to buffer. For video capture, the bit is set when the last frame has been wrote to buffer after video capture has been disabled. For CCIR656 interface, if the output format is frame planar YCbCr



			420 mode, the frame end means the field2 end, the other frame end means field end.
--	--	--	--

31.6.14. CSI Channel_0 interrupt status register

Offset Address: 0X0034			Register Name: CSI0_C0_INT_STA_REG
Bit	Read/ Write	Default /Hex	Description
31:08	/	/	/
07	R/W	0	VS_PD vsync flag
06	R/W	0	HB_OF_PD Hblank FIFO overflow
			PRTC_ERR_PD
04	R/W	0	FIFO2_OF_PD FIFO 2 overflow
03	R/W	0	FIFO1_OF_PD FIFO 1 overflow
02	R/W	0	FIFO0_OF_PD FIFO 0 overflow
01	R/W	0	FD_PD Frame done
00	R/W	0	CD_PD Capture done

31.6.15. CSI Channel_0 horizontal size register

Offset Address: 0X0040			Register Name: CSI0_C0_HSIZE_REG
Bit	Read/ Write	Default /Hex	Description
31:29	/	/	/
28:16	R/W	500	HOR_LEN Horizontal pixel clock length. Valid pixel clocks of a line.
15:13	/	/	/
12:00	R/W	0	HOR_START Horizontal pixel clock start.Pixel data is valid from this clock.

31.6.16. CSI Channel_0 vertical size register

Offset Address: 0X0044			Register Name: CSI0_C0_VSIZE_REG
------------------------	--	--	----------------------------------



Bit	Read/ Write	Default /Hex	Description
31:29	/	/	/
28:16	R/W	1E0	VER_LEN Vertical line length. Valid line number of a frame.
15:13	/	/	/
12:00	R/W	0	VER_START Vertical line start. data is valid from this line.

31.6.17. CSI Channel_0 buffer length register

Offset Address: 0X0048			Register Name: CSI0_C0_BUF_LEN_REG
Bit	Read/ Write	Default /Hex	Description
31:13	/	/	/
12:00	R/W	280	BUF_LEN Buffer length of a line. Unit is byte. It is the max of the 3 FIFOs

31.6.18. CSI Channel_1 FIFO 0 output buffer-A address register

Offset Address: 0X0110			Register Name: CSI0_C1_F0_BUFA_REG
Bit	Read/ Write	Default /Hex	Description
31:00	R/W	0	C1F0_BUFA FIFO 0 output buffer-A address

31.6.19. CSI Channel_1 FIFO 0 output buffer-B address register

Offset Address: 0X0114			Register Name: CSI0_C1_F0_BUFB_REG
Bit	Read/ Write	Default /Hex	Description
31:00	R/W	0	C1F0_BUFB FIFO 0 output buffer-B address

31.6.20. CSI Channel_1 FIFO 1 output buffer-A address register

Offset Address: 0X0118			Register Name: CSI0_C1_F1_BUFA_REG
Bit	Read/ Write	Default /Hex	Description



31:00	R/W	0	C1F1_BUFA FIFO 1 output buffer-A address
-------	-----	---	---

31.6.21. CSI Channel_1 FIFO 1 output buffer-B address register

Offset Address: 0X011C			Register Name: CSI0_C1_F1_BUF_B_REG
Bit	Read/ Write	Default /Hex	Description
31:00	R/W	0	C1F1_BUF_B FIFO 1 output buffer-B address

31.6.22. CSI Channel_1 FIFO 2 output buffer-A address register

Offset Address: 0X0120			Register Name: CSI0_C1_F2_BUF_A_REG
Bit	Read/ Write	Default /Hex	Description
31:00	R/W	0	C1F2_BUF_A FIFO 2 output buffer-A address

31.6.23. CSI Channel_1 FIFO 2 output buffer-B address register

Offset Address: 0X0124			Register Name: CSI0_C1_F2_BUF_B_REG
Bit	Read/ Write	Default /Hex	Description
31:00	R/W	0	C1F2_BUF_B FIFO 2 output buffer-B address

31.6.24. CSI Channel_1 output buffer control register

Offset Address: 0X0128			Register Name: CSI0_C1_BUF_CTL_REG
Bit	Read/ Write	Default /Hex	Description
31:03	/	/	/
02	R/W	0	DBN Buffer selected at next storing for CSI 0: Next buffer selection is buffer-A 1: Next buffer selection is buffer-B
01	R	0	DBS output buffer selected status 0: Selected output buffer-A



			1: Selected output buffer-B
00	R/W	0	DBE Double buffer mode enable 0: disable 1: enable If the double buffer mode is disabled, the buffer-A will be always selected by CSI module.

31.6.25. CSI Channel_1 status register

Offset Address: 0X012C			Register Name: CSI0_C1_BUF_STA_REG
Bit	Read/Write	Default/Hex	Description
31:08	R	0	LUM_STATIS luminance statistical value When frame done interrupt flag come, value is ready and will last until next frame done. For raw data, value = $(G \gg 1 + R + G) \gg 8$ For yuv422, value = $Y \gg 8$
07:02	/	/	/
01	R	0	VCAP_STA Video capture in progress Indicates the CSI is capturing video image data (multiple frames). The bit is set at the start of the first frame after enabling video capture. When software disables video capture, it clears itself after the last pixel of the current frame is captured.
00	R	0	SCAP_STA Still capture in progress Indicates the CSI is capturing still image data (single frame). The bit is set at the start of the first frame after enabling still frame capture. It clears itself after the last pixel of the first frame is captured. For CCIR656 interface, if the output format is frame planar YCbCr 420 mode, the frame end means the field2 end, the other frame end means filed end.

31.6.26. CSI Channel_1 interrupt enable register

Offset Address: 0X0130			Register Name: CSI0_C1_INT_EN_REG
Bit	Read/Write	Default/Hex	Description



31:08	/	/	/
07	R/W	0	VS_INT_EN vsync flag The bit is set when vsync come. And at this time load the buffer address for the coming frame. So after this irq come, change the buffer address could only effect next frame
06	R/W	0	HB_OF_INT_EN Hblank FIFO overflow The bit is set when 3 FIFOs still overflow after the hblank.
			PRTC_ERR_INT_EN
04	R/W	0	FIFO2_OF_INT_EN FIFO 2 overflow The bit is set when the FIFO 2 become overflow.
03	R/W	0	FIFO1_OF_INT_EN FIFO 1 overflow The bit is set when the FIFO 1 become overflow.
02	R/W	0	FIFO0_OF_INT_EN FIFO 0 overflow The bit is set when the FIFO 0 become overflow.
01	R/W	0	FD_INT_EN Frame done Indicates the CSI has finished capturing an image frame. Applies to video capture mode. The bit is set after each completed frame capturing data is wrote to buffer as long as video capture remains enabled.
00	R/W	0	CD_INT_EN Capture done Indicates the CSI has completed capturing the image data. For still capture, the bit is set when one frame data has been wrote to buffer. For video capture, the bit is set when the last frame has been wrote to buffer after video capture has been disabled. For CCIR656 interface, if the output format is frame planar YCbCr 420 mode, the frame end means the field2 end, the other frame end means field end.

31.6.27. CSI Channel_1 interrupt status register

Offset Address: 0X0134			Register Name: CSI0_C1_INT_STA_REG
Bit	Read/ Write	Default /Hex	Description
31:08	/	/	/



07	R/W	0	VS_PD vsync flag
06	R/W	0	HB_OF_PD Hblank FIFO overflow
/	/	/	/
04	R/W	0	FIFO2_OF_PD FIFO 2 overflow
03	R/W	0	FIFO1_OF_PD FIFO 1 overflow
02	R/W	0	FIFO0_OF_PD FIFO 0 overflow
01	R/W	0	FD_PD Frame done
00	R/W	0	CD_PD Capture done

31.6.28. CSI Channel_1 horizontal size register

Offset Address: 0X0140			Register Name: CSI0_C1_HSIZE_REG
Bit	Read/ Write	Default /Hex	Description
31:29	/	/	/
28:16	R/W	500	HOR_LEN Horizontal pixel clock length. Valid pixel clocks of a line.
15:13	/	/	/
12:00	R/W	0	HOR_START Horizontal pixel clock start. Pixel data is valid from this clock.

31.6.29. CSI Channel_1 vertical size register

Offset Address: 0X0144			Register Name: CSI0_C1_VSIZE_REG
Bit	Read/ Write	Default /Hex	Description
31:29	/	/	/
28:16	R/W	1E0	VER_LEN Vertical line length. Valid line number of a frame.
15:13	/	/	/
12:00	R/W	0	VER_START Vertical line start. data is valid from this line.

**31.6.30. CSI Channel_1 buffer length register**

Offset Address: 0X0148			Register Name: CSI0_C1_BUF_LEN_REG
Bit	Read/ Write	Default /Hex	Description
31:13	/	/	/
12:00	R/W	280	BUF_LEN Buffer length of a line. Unit is byte. It is the max of the 3 FIFOs

31.6.31. CSI Channel_2 FIFO 0 output buffer-A address register

Offset Address: 0X0210			Register Name: CSI0_C2_F0_BUFA_REG
Bit	Read/ Write	Default /Hex	Description
31:00	R/W	0	C2F0_BUFA FIFO 0 output buffer-A address

31.6.32. CSI Channel_2 FIFO 0 output buffer-B address register

Offset Address: 0X0214			Register Name: CSI0_C2_F0_BUF_B_REG
Bit	Read/ Write	Default /Hex	Description
31:00	R/W	0	C2F0_BUF_B FIFO 0 output buffer-B address

31.6.33. CSI Channel_2 FIFO 1 output buffer-A address register

Offset Address: 0X0218			Register Name: CSI0_C2_F1_BUFA_REG
Bit	Read/ Write	Default /Hex	Description
31:00	R/W	0	C2F1_BUFA FIFO 1 output buffer-A address

31.6.34. CSI Channel_2 FIFO 1 output buffer-B address register

Offset Address: 0X021C			Register Name: CSI0_C2_F1_BUF_B_REG
Bit	Read/ Write	Default /Hex	Description



31:00	R/W	0	C2F1_BUFB FIFO 1 output buffer-B address
-------	-----	---	---

31.6.35. CSI Channel_2 FIFO 2 output buffer-A address register

Offset Address: 0X0220			Register Name: CSI0_C2_F2_BUFA_REG
Bit	Read/ Write	Default /Hex	Description
31:00	R/W	0	C2F2_BUFA FIFO 2 output buffer-A address

31.6.36. CSI Channel_2 FIFO 2 output buffer-B address register

Offset Address: 0X0224			Register Name: CSI0_C2_F2_BUFB_REG
Bit	Read/ Write	Default /Hex	Description
31:00	R/W	0	C2F2_BUFB FIFO 2 output buffer-B address

31.6.37. CSI Channel_2 output buffer control register

Offset Address: 0X0228			Register Name: CSI0_C2_BUF_CTL_REG
Bit	Read/ Write	Default /Hex	Description
31:03	/	/	/
02	R/W	0	DBN Buffer selected at next storing for CSI 0: Next buffer selection is buffer-A 1: Next buffer selection is buffer-B
01	R	0	DBS output buffer selected status 0: Selected output buffer-A 1: Selected output buffer-B
00	R/W	0	DBE Double buffer mode enable 0: disable 1: enable If the double buffer mode is disabled, the buffer-A will be always selected by CSI module.

**31.6.38. CSI Channel_2 status register**

Offset Address: 0X022C			Register Name: CSI0_C2_BUF_STA_REG
Bit	Read/Write	Default/Hex	Description
31:08	R	0	LUM_STATIS luminance statistical value When frame done interrupt flag come, value is ready and will last until next frame done. For raw data, value = $(G \gg 1 + R + G) \gg 8$ For yuv422, value = $Y \gg 8$
07:02	/	/	/
01	R	0	VCAP_STA Video capture in progress Indicates the CSI is capturing video image data (multiple frames). The bit is set at the start of the first frame after enabling video capture. When software disables video capture, it clears itself after the last pixel of the current frame is captured.
00	R	0	SCAP_STA Still capture in progress Indicates the CSI is capturing still image data (single frame). The bit is set at the start of the first frame after enabling still frame capture. It clears itself after the last pixel of the first frame is captured. For CCIR656 interface, if the output format is frame planar YCbCr 420 mode, the frame end means the field2 end, the other frame end means filed end.

31.6.39. CSI Channel_2 interrupt enable register

Offset Address: 0X0230			Register Name: CSI0_C2_INT_EN_REG
Bit	Read/Write	Default/Hex	Description
31:08	/	/	/
07	R/W	0	VS_INT_EN vsync flag The bit is set when vsync come. And at this time load the buffer address for the coming frame. So after this irq come, change the buffer address could only effect next frame
06	R/W	0	HB_OF_INT_EN Hblank FIFO overflow



			The bit is set when 3 FIFOs still overflow after the hblank.
/	/	/	/
04	R/W	0	FIFO2_OF_INT_EN FIFO 2 overflow The bit is set when the FIFO 2 become overflow.
03	R/W	0	FIFO1_OF_INT_EN FIFO 1 overflow The bit is set when the FIFO 1 become overflow.
02	R/W	0	FIFO0_OF_INT_EN FIFO 0 overflow The bit is set when the FIFO 0 become overflow.
01	R/W	0	FD_INT_EN Frame done Indicates the CSI has finished capturing an image frame. Applies to video capture mode. The bit is set after each completed frame capturing data is wrote to buffer as long as video capture remains enabled.
00	R/W	0	CD_INT_EN Capture done Indicates the CSI has completed capturing the image data. For still capture, the bit is set when one frame data has been wrote to buffer. For video capture, the bit is set when the last frame has been wrote to buffer after video capture has been disabled. For CCIR656 interface, if the output format is frame planar YCbCr 420 mode, the frame end means the field2 end, the other frame end means field end.

31.6.40. CSI Channel_2 interrupt status register

Offset Address: 0X0234			Register Name: CSI0_C2_INT_STA_REG
Bit	Read/ Write	Default /Hex	Description
31:08	/	/	/
07	R/W	0	VS_PD vsync flag
06	R/W	0	HB_OF_PD Hblank FIFO overflow
			PRTC_ERR_PD
04	R/W	0	FIFO2_OF_PD FIFO 2 overflow
03	R/W	0	FIFO1_OF_PD



			FIFO 1 overflow
02	R/W	0	FIFO0_OF_PD FIFO 0 overflow
01	R/W	0	FD_PD Frame done
00	R/W	0	CD_PD Capture done

31.6.41. CSI Channel_2 horizontal size register

Offset Address: 0X0240			Register Name: CSI0_C2_HSIZE_REG
Bit	Read/ Write	Default /Hex	Description
31:29	/	/	/
28:16	R/W	500	HOR_LEN Horizontal pixel clock length. Valid pixel clocks of a line.
15:13	/	/	/
12:00	R/W	0	HOR_START Horizontal pixel clock start. Pixel data is valid from this clock.

31.6.42. CSI Channel_2 vertical size register

Offset Address: 0X0244			Register Name: CSI0_C2_VSIZE_REG
Bit	Read/ Write	Default /Hex	Description
31:29	/	/	/
28:16	R/W	1E0	VER_LEN Vertical line length. Valid line number of a frame.
15:13	/	/	/
12:00	R/W	0	VER_START Vertical line start. data is valid from this line.

31.6.43. CSI Channel_2 buffer length register

Offset Address: 0X0248			Register Name: CSI0_C2_BUF_LEN_REG
Bit	Read/ Write	Default /Hex	Description
31:13	/	/	/
12:00	R/W	280	BUF_LEN Buffer length of a line. Unit is byte. It is the max of the 3 FIFOs

**31.6.44. CSI Channel_3 FIFO 0 output buffer-A address register**

Offset Address: 0X0310			Register Name: CSI0_C3_F0_BUFA_REG
Bit	Read/ Write	Default /Hex	Description
31:00	R/W	0	C3F0_BUFA FIFO 0 output buffer-A address

31.6.45. CSI Channel_3 FIFO 0 output buffer-B address register

Offset Address: 0X0314			Register Name: CSI0_C3_F0_BUFEB_REG
Bit	Read/ Write	Default /Hex	Description
31:00	R/W	0	C3F0_BUFEB FIFO 0 output buffer-B address

31.6.46. CSI Channel_3 FIFO 1 output buffer-A address register

Offset Address: 0X0318			Register Name: CSI0_C3_F1_BUFA_REG
Bit	Read/ Write	Default /Hex	Description
31:00	R/W	0	C3F1_BUFA FIFO 1 output buffer-A address

31.6.47. CSI Channel_3 FIFO 1 output buffer-B address register

Offset Address: 0X031C			Register Name: CSI0_C3_F1_BUFEB_REG
Bit	Read/ Write	Default /Hex	Description
31:00	R/W	0	C3F1_BUFEB FIFO 1 output buffer-B address

31.6.48. CSI Channel_3 FIFO 2 output buffer-A address register

Offset Address: 0X0320			Register Name: CSI0_C3_F2_BUFA_REG
Bit	Read/ Write	Default /Hex	Description
31:00	R/W	0	C3F2_BUFA FIFO 2 output buffer-A address

**31.6.49. CSI Channel_3 FIFO 2 output buffer-B address register**

Offset Address: 0X0324			Register Name: CSI0_C3_F2_BUFB_REG
Bit	Read/ Write	Default /Hex	Description
31:00	R/W	0	C3F2_BUFB FIFO 2 output buffer-B address

31.6.50. CSI Channel_3 output buffer control register

Offset Address: 0X0328			Register Name: CSI0_C3_BUF_CTL_REG
Bit	Read/ Write	Default /Hex	Description
31:03	/	/	/
02	R/W	0	DBN Buffer selected at next storing for CSI 0: Next buffer selection is buffer-A 1: Next buffer selection is buffer-B
01	R	0	DBS output buffer selected status 0: Selected output buffer-A 1: Selected output buffer-B
00	R/W	0	DBE Double buffer mode enable 0: disable 1: enable If the double buffer mode is disabled, the buffer-A will be always selected by CSI module.

31.6.51. CSI Channel_3 status register

Offset Address: 0X032C			Register Name: CSI0_C3_BUF_STA_REG
Bit	Read/ Write	Default /Hex	Description
31:08	R	0	LUM_STATIS luminance statistical value When frame done interrupt flag come, value is ready and will last until next frame done. For raw data, value = (G>>1+R+G)>>8 For yuv422, value = Y>>8



07:02	/	/	/
01	R	0	<p>VCAP_STA</p> <p>Video capture in progress</p> <p>Indicates the CSI is capturing video image data (multiple frames). The bit is set at the start of the first frame after enabling video capture. When software disables video capture, it clears itself after the last pixel of the current frame is captured.</p>
00	R	0	<p>SCAP_STA</p> <p>Still capture in progress</p> <p>Indicates the CSI is capturing still image data (single frame). The bit is set at the start of the first frame after enabling still frame capture. It clears itself after the last pixel of the first frame is captured.</p> <p>For CCIR656 interface, if the output format is frame planar YCbCr 420 mode, the frame end means the field2 end, the other frame end means filed end.</p>

31.6.52. CSI Channel_3 interrupt enable register

Offset Address: 0X0330			Register Name: CSI0_C3_INT_EN_REG
Bit	Read/ Write	Default /Hex	Description
31:08	/	/	/
07	R/W	0	<p>VS_INT_EN</p> <p>vsync flag</p> <p>The bit is set when vsync come. And at this time load the buffer address for the coming frame. So after this irq come, change the buffer address could only effect next frame</p>
06	R/W	0	<p>HB_OF_INT_EN</p> <p>Hblank FIFO overflow</p> <p>The bit is set when 3 FIFOs still overflow after the hblank.</p>
			PRTC_ERR_INT_EN
04	R/W	0	<p>FIFO2_OF_INT_EN</p> <p>FIFO 2 overflow</p> <p>The bit is set when the FIFO 2 become overflow.</p>
03	R/W	0	<p>FIFO1_OF_INT_EN</p> <p>FIFO 1 overflow</p> <p>The bit is set when the FIFO 1 become overflow.</p>
02	R/W	0	<p>FIFO0_OF_INT_EN</p> <p>FIFO 0 overflow</p> <p>The bit is set when the FIFO 0 become overflow.</p>
01	R/W	0	FD_INT_EN



			<p>Frame done</p> <p>Indicates the CSI has finished capturing an image frame. Applies to video capture mode. The bit is set after each completed frame capturing data is wrote to buffer as long as video capture remains enabled.</p>
00	R/W	0	<p>CD_INT_EN</p> <p>Capture done</p> <p>Indicates the CSI has completed capturing the image data.</p> <p>For still capture, the bit is set when one frame data has been wrote to buffer.</p> <p>For video capture, the bit is set when the last frame has been wrote to buffer after video capture has been disabled.</p> <p>For CCIR656 interface, if the output format is frame planar YCbCr 420 mode, the frame end means the field2 end, the other frame end means field end.</p>

31.6.53. CSI Channel_3 interrupt status register

Offset Address: 0X0334			Register Name: CSI0_C3_INT_STA_REG
Bit	Read/ Write	Default /Hex	Description
31:08	/	/	/
07	R/W	0	VS_PD vsync flag
06	R/W	0	HB_OF_PD Hblank FIFO overflow
			PRTC_ERR_PD
04	R/W	0	FIFO2_OF_PD FIFO 2 overflow
03	R/W	0	FIFO1_OF_PD FIFO 1 overflow
02	R/W	0	FIFO0_OF_PD FIFO 0 overflow
01	R/W	0	FD_PD Frame done
00	R/W	0	CD_PD Capture done

31.6.54. CSI Channel_3 horizontal size register

Offset Address: 0X0340	Register Name: CSI0_C3_HSIZE_REG
------------------------	----------------------------------



Bit	Read/ Write	Default /Hex	Description
31:29	/	/	/
28:16	R/W	500	HOR_LEN Horizontal pixel clock length. Valid pixel clocks of a line.
15:13	/	/	/
12:00	R/W	0	HOR_START Horizontal pixel clock start.Pixel data is valid from this clock.

31.6.55. CSI Channel_3 vertical size register

Offset Address: 0X0344			Register Name: CSI0_C3_VSIZE_REG
Bit	Read/ Write	Default /Hex	Description
31:29	/	/	/
28:16	R/W	1E0	VER_LEN Vertical line length. Valid line number of a frame.
15:13	/	/	/
12:00	R/W	0	VER_START Vertical line start. data is valid from this line.

31.6.56. CSI Channel_3 buffer length register

Offset Address: 0X0348			Register Name: CSI0_C3_BUF_LEN_REG
Bit	Read/ Write	Default /Hex	Description
31:13	/	/	/
12:00	R/W	280	BUF_LEN Buffer length of a line. Unit is byte. It is the max of the 3 FIFOs

31.6.57. ISP Enable register

Offset Address: 0X400			Register Name: ISP_FE_EN_REG
Bit	Read/ Write	Default /Hex	Description
31:15	/	/	/
14	R/W	0	ISP_FE_INIT ISP initial bit. Write 1 to this bit to start and will be cleared by hardware.
13	R/W	0	LUT_DEF_EN



			LUT Defect correction Enable
12	R/W	0	HIST3_EN Histogram region 3 Enable
11	R/W	0	HIST2_EN Histogram region 2 Enable
10	R/W	0	HIST1_EN Histogram region 1 Enable
09	R/W	0	HIST0_EN Histogram region 0 Enable
08	R/W	0	HIST_EN Histogram Statistic Enable
07	R/W	0	AWBE_EN AE/AWB Statistic Enable
06	R/W	0	AF_EN AF Statistic Enable
05	R/W	0	H3A_EN H3A Median Filter Enable
04	R/W	0	LUMA_DC_SUB_EN Luma DC Subtraction Enable (can only enable in YUV mode)
03	R/W	0	GAIN_OFFSET_EN Gain and offset Enable
02	R/W	0	LSC_EN Lens Shading Correction Enable
01	R/W	0	OBC_HOR_LMT_EN OBC Horizontal limit Enable (if enabled, saturated value is 63)
00	R/W	0	OBC_EN Optical Black Clamp Enable 0:Disable 1:Enable

P.S. This register has double buffer, it should be reloaded by hardware at every vsync.

31.6.58. ISP Mode register

Offset Address: 0X404			Register Name: ISP_FE_MODE_REG
Bit	Read/ Write	Default /Hex	Description
31:10	/	/	/
09:08	R/W	0	BAYER_SEQ Bayer Raw Pattern Sequence 00: RG/GB 01: GR/BG 10: BG/GR



			11: GB/RG
07:01	/	/	/
00	R/W	0	INPUT_FMT ISP FE input format: 0: Bayer Raw 1: YUV422

31.6.59. ISP OBC Image Black size register

Offset Address: 0X410			Register Name: ISP_FE_OB_SIZE_REG
Bit	Read/ Write	Default /Hex	Description
31:29	/	/	/
28:16	R/W	1E0	OB_HEIGHT The height of sensor including optical black area (Ranges from 0 to 4096)
15:13	/	/	/
12:00	R/W	500	OB_WIDTH The width of sensor including optical black area (Ranges from 0 to 4096)

31.6.60. ISP OBC Image Valid size register

Offset Address: 0X414			Register Name: ISP_FE_OB_VALID_REG
Bit	Read/ Write	Default /Hex	Description
31:29	/	/	/
28:16	R/W	1E0	OB_VALID_HEIGHT The height of sensor excluding optical black area (Ranges from 0 to 4096)
15:13	/	/	/
12:00	R/W	500	OB_VALID_WIDTH The width of sensor excluding optical black area (Ranges from 0 to 4096)

31.6.61. ISP OBC Image Start register

Offset Address: 0X418			Register Name: ISP_FE_OB_START_REG
Bit	Read/ Write	Default /Hex	Description



31:28	/	/	/
27:16	R/W	0	OB_VER_START The start vertical position of valid image (Ranges from 0 to 4095)
15:12	/	/	/
11:00	R/W	0	OB_HOR_START The start horizontal position of valid image (Ranges from 0 to 4095)

31.6.62. ISP OBC configuration register

Offset Address: 0X41C			Register Name: ISP_FE_OB_CFG_REG
Bit	Read/ Write	Default /Hex	Description
31:14	/	/	/
13:12	R/W	0	VER_OBC_LEN Vertical OBC length L: L=0~3 (The actual value is 2^L)
11:10	/	/	/
09:08	R/W	0	HOR_OBC_HEIGHT Horizontal OBC height N: N=0~3 (The actual value is 2^N) The height of window for horizontal OBC
07	/	/	/
06:04	R/W	0	HOR_OBC_WIDTH Horizontal OBC width M: M=0~6 (The actual value is 2^M) The width of window for horizontal OBC
03	/	/	/
02:00	R/W	0	OBC_MODE OBC Mode: 000: fixed value 001: only horizontal 010: only vertical 011: sum of horizontal and vertical 100: average of horizontal and vertical Others: reserved

31.6.63. ISP Horizontal OBC window start register

Offset Address: 0X420			Register Name: ISP_FE_HOB_POS_REG
Bit	Read/ Write	Default	Description



	Write	/Hex	
31:28	/	/	/
27:16	R/W	0	HOR_OBC_VER_START The start vertical position for Horizontal OBC window (Ranges from 0 to 4095)
15:12	/	/	/
11:00	R/W	0	HOR_OBC_HOR_START The start horizontal position for Horizontal OBC window (Ranges from 0 to 4095)

31.6.64. ISP Vertical OBC window start register

Offset Address: 0X424			Register Name: ISP_FE_VOB_POS_REG
Bit	Read/ Write	Default /Hex	Description
31:12	/	/	/
11:00	R/W	0	VER_OBC_HOR_START The start horizontal position for Vertical OBC window (Ranges from 0 to 4095)

31.6.65. ISP Vertical OBC parameter register

Offset Address: 0X428			Register Name: ISP_FE_VOB_PARA_REG
Bit	Read/ Write	Default /Hex	Description
31:24	/	/	/
23:16	R/W	0	VER_OBC_K Coefficient k for vertical OBC (Ranges from 0 to 255)
15:08	/	/	/
07:00	R/W	0	VER_OBC_RESET_VAL The reset value of previous line at the every beginning of OB Vertical valid (Ranges from 0 to 255)

31.6.66. ISP OBC fixed value register

Offset Address: 0X42C			Register Name: ISP_FE_OB_FIXED_REG
Bit	Read/ Write	Default /Hex	Description
31:08	/	/	/
07:00	R/W	0	OBC_FIXED_VAL



			The OBC fixed value (Ranges from 0 to 255), used only in fixed value mode
--	--	--	---

31.6.67. ISP OBC offset register

Offset Address: 0X430			Register Name: ISP_FE_OB_OFFSET_REG
Bit	Read/Write	Default/Hex	Description
31:09	/	/	/
08:00	R/W	0	OBC_OFFSET The OBC offset value A signed number ranging from -256 to 255

31.6.68. ISP OBC clamp value register

Offset Address: 0X434			Register Name: ISP_FE_OB_CLAMP_REG
Bit	Read/Write	Default/Hex	Description
31:24	/	/	/
23:16	R	0	OBC_VER_CLM_VAL The OBC vertical clamp value (Ranges from 0 to 255)
15:08	/	/	/
07:00	R	0	OBC_HOR_CLM_VAL The OBC horizontal clamp value (Ranges from 0 to 255)

31.6.69. ISP LSC configuration register

Offset Address: 0X43C			Register Name: ISP_FE_LSC_CFG_REG
Bit	Read/Write	Default/Hex	Description
31:24	R/W	2	VER_FACTOR Gain map vertical down sampling factor N N=2~6 (The actual vertical down sampling factor is 2 ^N)
23:16	R/W	2	HOR_FACTOR Gain map horizontal down sampling factor M M=2~6 (The actual horizontal down sampling factor is 2 ^M)
15:02	/	/	/
01:00	R/W	0	LSC_MODE The LSC gain mode



			00: The gain factor is in U8Q8 format (0~255/256) 01: The gain factor is in U8Q7 format (0~1+127/128) 10: The gain factor is in U8Q6 format (0~3+63/64) 11: The gain factor is in U8Q5 format (0~7+31/32)
--	--	--	--

31.6.70. ISP LSC gain factor address register

Offset Address: 0X440			Register Name: ISP_FE_LSC_ADDR_REG
Bit	Read/Write	Default/Hex	Description
31:00	R/W	0	LSC_ADDR The address for saving LSC gain factor (DRAM Address)

31.6.71. ISP LSC gain factor address length register

Offset Address: 0X444			Register Name: ISP_FE_LSC_LEN_REG
Bit	Read/Write	Default/Hex	Description
31:13	/	/	/
12:00	R/W	280	LSC_LEN The length for LSC gain factor table (in byte) while accessing DRAM(ranges from 0 to 4096) This should be integer multiplier of 0X20.

31.6.72. ISP Offset register

Offset Address: 0X44C			Register Name: ISP_FE_OFFSET_REG
Bit	Read/Write	Default/Hex	Description
31:09	/	/	/
08:00	R/W	0	OFFSET_VAL The offset value A signed number ranges from -256 to 255

31.6.73. ISP Gain Factor register

Offset Address: 0X450			Register Name: ISP_FE_GAIN_REG
Bit	Read/Write	Default/Hex	Description
31:24	R/W	20	GAIN3



			Gain factor for even pixel even line (in U8Q5 format)
23:16	R/W	20	GAIN2 Gain factor for odd pixel even line (in U8Q5 format)
15:08	R/W	20	GAIN1 Gain factor for even pixel odd line (in U8Q5 format)
07:00	R/W	20	GAIN0 Gain factor for odd pixel odd line (in U8Q5 format)

31.6.74. ISP Dark Frame Enable register

Offset Address: 0X45C			Register Name: ISP_FE_DF_EN_REG
Bit	Read/ Write	Default /Hex	Description
31:05	/	/	/
04	R/W	0	DF_SUB_EN Dark Frame Subtraction Enable This bit has double buffer , it should be reloaded by hardware at every vsync
03:01	/	/	/
00	R/W	0	DF_WR_EN Dark Frame Write Enable This bit has double buffer , it should be reloaded by hardware at every vsync

P.S. The Dark Frame Write and Subtraction can not be enabled at the same time. When in application, the dark frame write should be started first. After the writing has been done, the subtraction should be enabled by the software

31.6.75. ISP Dark Frame buffer address register

Offset Address: 0X460			Register Name: ISP_FE_DF_ADDR_REG
Bit	Read/ Write	Default /Hex	Description
31:00	R/W	0	DF_ADDR Dark Frame Write and Subtraction Buffer Address (DRAM Address)

P.S. This register has double buffer, it should be reloaded by hardware at every vsync.

31.6.76. ISP Dark Frame buffer address length register

Offset Address: 0X464			Register Name: ISP_FE_DF_LEN_REG
-----------------------	--	--	----------------------------------



Bit	Read/ Write	Default /Hex	Description
31:13	/	/	/
12:00	R/W	500	DF_LEN The length of dark frame data (in Byte) while accessing DRAM (ranges from 0 to 4096) This should be integer multiplier of 0X20.

P.S. This register has double buffer, it should be reloaded by hardware at every vsync.

31.6.77. ISP luma DC subtraction value register

Offset Address: 0X46C			Register Name: ISP_FE_DC_SUB_REG
Bit	Read/ Write	Default /Hex	Description
31:08	/	/	/
07:00	R/W	0	LUMA_DC_SUB_VAL Luma DC subtraction value A signed number ranging from -128 to 127

31.6.78. ISP H3A Median filter threshold register

Offset Address: 0X470			Register Name: ISP_FE_M_FIL_TH_REG
Bit	Read/ Write	Default /Hex	Description
31:08	/	/	/
07:00	R/W	0	H3A_TH H3A Median filter threshold (ranges from 0~255)

31.6.79. ISP AF window number register

Offset Address: 0X474			Register Name: ISP_FE_AF_NUM_REG
Bit	Read/ Write	Default /Hex	Description
31:12	/	/	/
11:08	R/W	1	AF_VER_NUM AF vertical window number VWN(ranges from 1~8)
07:04	/	/	/
03:00	R/W	1	AF_HOR_NUM AF horizontal window number HWN(ranges from 1~8)

**31.6.80. ISP AF window size register**

Offset Address: 0X478			Register Name: ISP_FE_AF_SIZE_REG
Bit	Read/ Write	Default /Hex	Description
31:26	/	/	/
25:16	R/W	8	AF_HEIGHT AF window height H (H ranges from 0~512)
15:09	/	/	/
08:00	R/W	4	AF_WIDTH AF window width W (W ranges from 0~256) The actual window width is 2*W

31.6.81. ISP AF window start register

Offset Address: 0X47C			Register Name: ISP_FE_AF_POS_REG
Bit	Read/ Write	Default /Hex	Description
31:28	/	/	/
27:16	R/W	0	AF_VER_START The start vertical position for AF window (Ranges from 0 to 4095)
15:12	/	/	/
11:00	R/W	0	AF_HOR_START The start horizontal position for AF window (Ranges from 0 to 4095)

31.6.82. ISP AF configuration register

Offset Address: 0X480			Register Name: ISP_FE_AF_CFG_REG
Bit	Read/ Write	Default /Hex	Description
31:13	/	/	/
12:08	R/W	1	AF_INC AF line increment number INC (Ranges from 0 to 16)
07:05	/	/	/
04	R/W	0	AF_SRC_MODE AF source mode 0:FV 1:Pixel
03:01	/	/	/



00	R/W	0	AF_ACC_MODE AF accumulating mode 0:sum mode (The accumulation is the sum of every FV or pixel) 1:peak mode (The accumulation is the sum of the maximum FV or pixel in every line)
----	-----	---	--

31.6.83. ISP AF filter parameter 0 register

Offset Address: 0X484			Register Name: ISP_FE_AF_PARA0_REG
Bit	Read/Write	Default/Hex	Description
31:24	R/W	0	C3 Filter coeff3 (A signed number ranging from -128~127)
23:16	R/W	0	C2 Filter coeff2 (A signed number ranging from -128~127)
15:08	R/W	0	C1 Filter coeff1 (A signed number ranging from -128~127)
07:00	R/W	0	C0 Filter coeff0 (A signed number ranging from -128~127)

31.6.84. ISP AF filter parameter 1 register

Offset Address: 0X488			Register Name: ISP_FE_AF_PARA1_REG
Bit	Read/Write	Default/Hex	Description
31:24	R/W	0	C7 Filter coeff7 (A signed number ranging from -128~127)
23:16	R/W	0	C6 Filter coeff6 (A signed number ranging from -128~127)
15:08	R/W	0	C5 Filter coeff5 (A signed number ranging from -128~127)
07:00	R/W	0	C4 Filter coeff4 (A signed number ranging from -128~127)

31.6.85. ISP AF filter parameter 2 register

Offset Address: 0X48C			Register Name: ISP_FE_AF_PARA2_REG
Bit	Read/Write	Default/Hex	Description
31:28	/	/	/



27:24	R/W	0	R1 Filter right shifter r1 (ranges from 0~15)
23:20	/	/	/
19:16	R/W	0	R0 Filter right shifter r0 (ranges from 0~15)
15:08	R/W	0	C9 Filter coeff9 (A signed number ranging from -128~127)
07:00	R/W	0	C8 Filter coeff8 (A signed number ranging from -128~127)

31.6.86. ISP AWBE window number register

Offset Address: 0X49C			Register Name: ISP_FE_AWBE_NUM_REG
Bit	Read/ Write	Default /Hex	Description
31:12	/	/	/
11:08	R/W	1	AWBE_VER_NUM AE/AWB vertical window number VWN(ranges from 1~8)
07:04	/	/	/
03:00	R/W	1	AWBE_HOR_NUM AE/AWB horizontal window number HWN(ranges from 1~8)

31.6.87. ISP AWBE window size register

Offset Address: 0X4A0			Register Name: ISP_FE_AWBE_SIZE_REG
Bit	Read/ Write	Default /Hex	Description
31:25	/	/	/
24:16	R/W	4	AWBE_HEIGHT AE/AWB window height H (H ranges from 0~256) The actual window height is 2*H
15:09	/	/	/
08:00	R/W	4	AWBE_WIDTH AE/AWB window width W (W ranges from 0~256) The actual window width is 2*W

31.6.88. ISP AWBE window start register

Offset Address: 0X4A4			Register Name: ISP_FE_AWBE_POS_REG
Bit	Read/ Write	Default /Hex	Description



	Write	/Hex	
31:28	/	/	/
27:16	R/W	0	AWBE_VER_START The start vertical position for AE/AWB window (Ranges from 0 to 4095)
15:12	/	/	/
11:00	R/W	0	AWBE_HOR_START The start horizontal position for AE/AWB window (Ranges from 0 to 4095)

31.6.89. ISP AWBE configuration register

Offset Address: 0X4A8			Register Name: ISP_FE_AWBE_CFG_REG
Bit	Read/ Write	Default /Hex	Description
31:29	/	/	/
28:24	R/W	1	AWBE_INC AE/AWB line increment number INC (Ranges from 0 to 16)
23:20	/	/	/
19:16	R/W	0	AWBE_RS AE/AWB right shifter before accumulation (Ranges from 0 to 15)
15:08	/	/	/
07:00	R/W	0	AWBE_LMT AE/AWB saturation limit (ranges from 0 to 255)

31.6.90. ISP Histogram region 0 window size register

Offset Address: 0X4B8			Register Name: ISP_FE_HIST0_SIZE_REG
Bit	Read/ Write	Default /Hex	Description
31:29	/	/	/
28:16	R/W	0	HIST0_HEIGHT Histogram region 0 window height (Ranges from 0 to 4096)
15:13	/	/	/
12:00	R/W	0	HIST0_WIDTH Histogram region 0 window width (Ranges from 0 to 4096)

31.6.91. ISP Histogram region 0 window start register

Offset Address: 0X4BC			Register Name: ISP_FE_HIST0_POS_REG
-----------------------	--	--	-------------------------------------



Bit	Read/ Write	Default /Hex	Description
31:28	/	/	/
27:16	R/W	0	HIST0_VER_START Histogram region 0 window vertical start position (Ranges from 0 to 4095)
15:12	/	/	/
11:00	R/W	0	HIST0_HOR_START Histogram region 0 window horizontal start position (Ranges from 0 to 4095)

31.6.92. ISP Histogram region 1 window size register

Offset Address: 0X4C0			Register Name: ISP_FE_HIST1_SIZE_REG
Bit	Read/ Write	Default /Hex	Description
31:29	/	/	/
28:16	R/W	0	HIST1_HEIGHT Histogram region 1 window height (Ranges from 0 to 4096)
15:13	/	/	/
12:00	R/W	0	HIST1_WIDTH Histogram region 1 window width (Ranges from 0 to 4096)

31.6.93. ISP Histogram region 1 window start register

Offset Address: 0X4C4			Register Name: ISP_FE_HIST1_POS_REG
Bit	Read/ Write	Default /Hex	Description
31:28	/	/	/
27:16	R/W	0	HIST1_VER_START Histogram region 1 window vertical start position (Ranges from 0 to 4095)
15:12	/	/	/
11:00	R/W	0	HIST1_HOR_START Histogram region 1 window horizontal start position (Ranges from 0 to 4095)

31.6.94. ISP Histogram region 2 window size register

Offset Address: 0X4C8			Register Name: ISP_FE_HIST2_SIZE_REG
-----------------------	--	--	--------------------------------------



Bit	Read/ Write	Default /Hex	Description
31:29	/	/	/
28:16	R/W	0	HIST2_HEIGHT Histogram region 2 window height (Ranges from 0 to 4096)
15:13	/	/	/
12:00	R/W	0	HIST2_WIDTH Histogram region 2 window width (Ranges from 0 to 4096)

31.6.95. ISP Histogram region 2 window start register

Offset Address: 0X4CC			Register Name: ISP_FE_HIST2_POS_REG
Bit	Read/ Write	Default /Hex	Description
31:28	/	/	/
27:16	R/W	0	HIST2_VER_START Histogram region 2 window vertical start position (Ranges from 0 to 4095)
15:12	/	/	/
11:00	R/W	0	HIST2_HOR_START Histogram region 2 window horizontal start position (Ranges from 0 to 4095)

31.6.96. ISP Histogram region 3 window size register

Offset Address: 0X4D0			Register Name: ISP_FE_HIST3_SIZE_REG
Bit	Read/ Write	Default /Hex	Description
31:29	/	/	/
28:16	R/W	0	HIST3_HEIGHT Histogram region 3 window height (Ranges from 0 to 4096)
15:13	/	/	/
12:00	R/W	0	HIST3_WIDTH Histogram region 3 window width (Ranges from 0 to 4096)

31.6.97. ISP Histogram region 3 window start register

Offset Address: 0X4D4			Register Name: ISP_FE_HIST3_POS_REG
Bit	Read/ Write	Default	Description



	Write	/Hex	
31:28	/	/	/
27:16	R/W	0	HIST3_VER_START Histogram region 3 window vertical start position (Ranges from 0 to 4095)
15:12	/	/	/
11:00	R/W	0	HIST3_HOR_START Histogram region 3 window horizontal start position (Ranges from 0 to 4095)

P.S. When the regions are overlapped, only one region is operated on.

The priority is:

Region0>Region1>Region2>Region3

31.6.98. ISP 3A Statistics output address register

Offset Address: 0X4D8			Register Name: ISP_FE_3A_ADDR_REG
Bit	Read/Write	Default/Hex	Description
31:00	R/W	0	STATISC_3A_ADDR The output address for 3A statistic (DRAM Address)

P.S. This register has double buffer, it should be reloaded by hardware at every vsync.

31.6.99. ISP LUT Defect Correction configuration register

Offset Address: 0X4E4			Register Name: ISP_FE_LUT_DC_CFG_REG
Bit	Read/Write	Default/Hex	Description
31:18	/	/	/
17:16	/	/	/
15:09	/	/	/
08:00	R/W	0	DEF_NUM The number of defect pixel N in LUT (Ranges from 0~256)

31.6.100. ISP LUT Defect Correction address register

Offset Address: 0X4E8			Register Name: ISP_FE_LUT_DC_ADDR_REG
Bit	Read/Write	Default/Hex	Description



31:00	R/W	0	DEF_LUT_ADDR The memory address for LUT (DRAM Address)
-------	-----	---	---

31.6.101. ISP FE Y/Raw Output address length register

Offset Address: 0X4EC			Register Name: ISP_FE_Y_LEN_REG
Bit	Read/ Write	Default /Hex	Description
31:13	/	/	/
12:00	R/W	500	ISP_FE_Y_LEN The length of ISP FE Y/Raw Output data (in Byte) while accessing DRAM (ranges from 0 to 4096) This should be integer multiplier of 0X20.

P.S. This register has double buffer, it should be reloaded by hardware at every vsync.

31.6.102. SP FE Y/Raw Output address register

Offset Address: 0X4F0			Register Name: ISP_FE_Y_ADDR_REG
Bit	Read/ Write	Default /Hex	Description
31:00	R/W	0	ISP_FE_Y_ADDR The memory address for ISP FE Y/Raw output (DRAM Address)

P.S. This register has double buffer, it should be reloaded by hardware at every vsync.

31.6.103. ISP interrupt enable register

Offset Address: 0X4F4			Register Name: ISP_FE_INT_EN_REG
Bit	Read/ Write	Default /Hex	Description
31:8	/	/	/
7	R/W	0	HIST3_INT_EN Histogram region 3 statistic done interrupt enable
6	R/W	0	HIST2_INT_EN Histogram region 2 statistic done interrupt enable
5	R/W	0	HIST1_INT_EN Histogram region 1 statistic done interrupt enable
4	R/W	0	HIST0_INT_EN Histogram region 0 statistic done interrupt enable
3	/	/	/
2	R/W	0	DF_WR_INT_EN



			Dark Frame Write done interrupt enable
1	R/W	0	AWBE_INT_EN AWBE statistic done interrupt enable
0	R/W	0	AF_INT_EN AF statistic done interrupt enable

31.6.104. ISP interrupt status register

Offset Address: 0X4F8			Register Name: ISP_FE_INT_STA_REG
Bit	Read/ Write	Default /Hex	Description
31:8	/	/	/
7	R/W	0	HIST3_INT_PD Histogram region 3 statistic done (write 1 to clear this bit)
6	R/W	0	HIST2_INT_PD Histogram region 2 statistic done (write 1 to clear this bit)
5	R/W	0	HIST1_INT_PD Histogram region 1 statistic done (write 1 to clear this bit)
4	R/W	0	HIST0_INT_PD Histogram region 0 statistic done (write 1 to clear this bit)
3	/	/	/
2	R/W	0	DF_WR_INT_PD Dark Frame Write done (write 1 to clear this bit)
1	R/W	0	AWBE_INT_PD AWBE statistic done (write 1 to clear this bit)
0	R/W	0	AF_INT_PD AF statistic done (write 1 to clear this bit)

31.6.105. ISP FE CbCr Output address length register

Offset Address: 0X500			Register Name: ISP_FE_C_LEN_REG
Bit	Read/ Write	Default /Hex	Description
31:13	/	/	/
12:00	R/W	500	ISP_FE_C_LEN The length of ISP FE CbCr Output data (in Byte) while accessing DRAM(ranges from 0 to 4096) This should be integer multiplier of 0X20.

P.S. This register has double buffer, it should be reloaded by hardware at every vsync.

**31.6.106. ISP FE CbCr Output address register**

Offset Address: 0X504			Register Name: ISP_FE_C_ADDR_REG
Bit	Read/ Write	Default /Hex	Description
31:00	R/W	0	ISP_FE_C_ADDR The memory address for ISP FE CbCr output (DRAM Address)

P.S. This register has double buffer, it should be reloaded by hardware at every vsync.

32. CSI1

32.1. Overview

CSI1 is a high performance camera sensor interface, which supports 24 bits RGB/YUV444 data input, and it can parse input data to memory through user format configuration.

It is featured as following:

- 8 bits input data
- Support CCIR656 protocol for NTSC and PAL
- 3 parallel data paths for image stream parsing
- Received data double buffer support
- Parsing BAYER data into planar R, G, B output to memory
- Parsing interlaced data into planar or tie-based YCbCr output to memory
- Pass raw data direct to memory
- All data transmit timing can be adjusted by software
- support multi-channel ITU-R BT.656 time-multiplexed format
- luminance statistical value
- support 10-bit raw data input
- support 24-bit RGB/YUV 444 input, interlace/progressive mode, pixel clock up to 148.5(1080p)

32.2. Block diagram

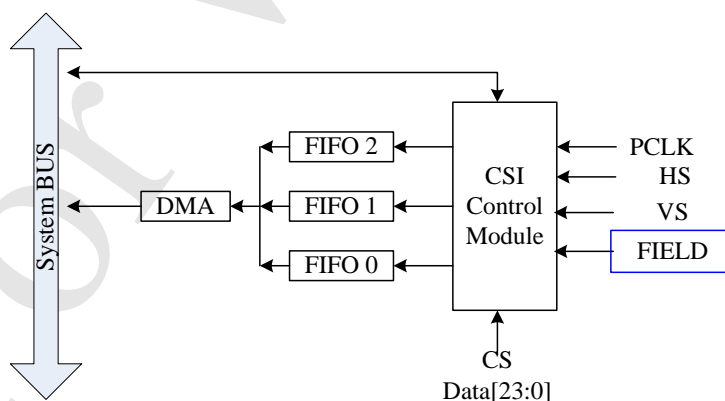


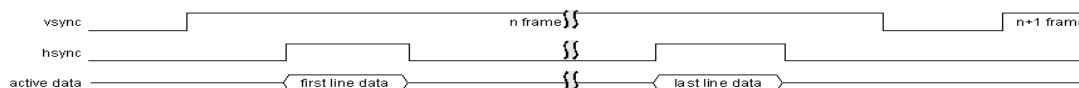
Figure32-1

32.3. CSI data ports

	Bayer	YCbCr (YUV)	Interlaced	Pass-through
FIFO0	Red pixel data	Y pixel data	All field 1 pixel data	All pixel data
FIFO1	Green pixel data	Cb (U) pixel data	All field 2 pixel data	-
FIFO2	Blue pixel data	Cr (V) pixel data	-	-

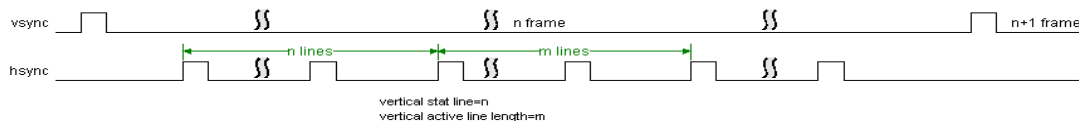
32.4. Timing

32.4.1. CSI timing



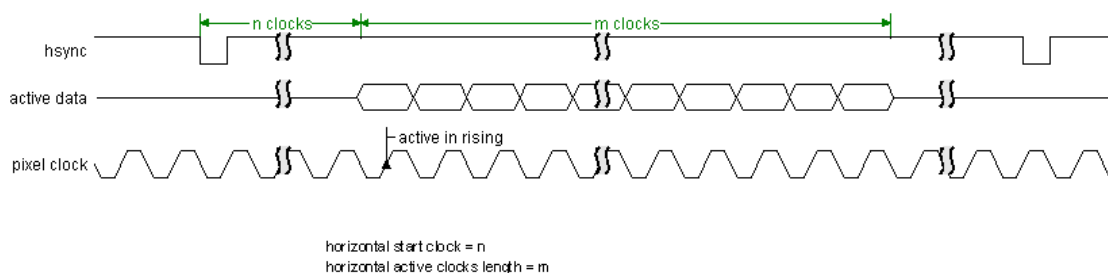
Vref= positive; Href= positive

Figure32-2



vertical size setting

Figure32-3



horizontal size setting and pixel clock timing(Href= positive)

Figure32-4

32.5. CSI1 Registers List

Module Name	Base Address
CSI1	0x01C1D000



Register Name	Offset	Register name
CSI1_EN_REG	0X000	CSI enable register
CSI1_CFG_REG	0X004	CSI configuration register
CSI1_CAP_REG	0X008	CSI capture control register
CSI1_SCALE_REG	0X00C	CSI scale register
CSI1_F0_BUFA_REG	0X010	CSI FIFO 0 output buffer-A address register
CSI1_F0_BUFB_REG	0X014	CSI FIFO 0 output buffer-B address register
CSI1_F1_BUFA_REG	0X018	CSI FIFO 1 output buffer-A address register
CSI1_F1_BUFB_REG	0X01C	CSI FIFO 1 output buffer-B address register
CSI1_F2_BUFA_REG	0X020	CSI FIFO 2 output buffer-A address register
CSI1_F2_BUFB_REG	0X024	CSI FIFO 2 output buffer-B address register
CSI1_BUF_CTL_REG	0X028	CSI output buffer control register
CSI1_BUF_STA_REG	0X02C	CSI status register
CSI1_INT_EN_REG	0X030	CSI interrupt enable register
CSI1_INT_STA_REG	0X034	CSI interrupt status register
CSI1_HSIZE_REG	0X040	CSI horizontal size register
CSI1_VSIZE_REG	0X044	CSI vertical size register
CSI1_BUF_LEN_REG	0X048	CSI line buffer length register

32.6. CSI1 Register Description

32.6.1. CSI Enable Register

Offset: 0x0000			Register Name: CSI1_EN_REG
Bit	Read/Write	Default/Hex	Description
31:10	/	/	/
9	R/W	0	PCLK_CNT Pclk count per frame
8	R/W	0	LUMA_EN Luma enable
7:5	/	/	/
4	R/W	0	NON16_ADD



			Non-16 add 0x00
3	R/W	0	RD_FIFO_EN Read fifo [3]fifo enable, fifo address[01c09800~01c09ffc]
2	R/W	0	FIELD_REV Ccir656 field_reverse
1	/	/	/
0	R/W	0	CSI_EN Enable 0: Reset and disable the CSI module 1: Enable the CSI module

32.6.2.CSI configuration register

Offset Address: 0X0004			Register Name: CSI1_CFG_REG
Bit	Read/Write	Default/Hex	Description
31:23	/	/	/
22:20	R/W	3	INPUT_FMT Input data format 000: RAW stream 001: reserved 010: CCIR656(one channel) 011: YUV422 100: YUV444 ({R, B, G} or {Pr, Pb, Y}) others: reserved
19:16	R/W	0	OUTPUT_FMT Output data format When the input format is set RAW stream 0000: pass-through When the input format is set CCIR656 interface 0000: field planar YCbCr 422 0001: field planar YCbCr 420 0010: frame planar YCbCr 420 0011: frame planar YCbCr 422 0100: field planar YCbCr 422 UV combined 0101: field planar YCbCr 420 UV combined 0110: frame planar YCbCr 420 UV combined 0111: frame planar YCbCr 422 UV combined 1111: interlaced interleaved YCbCr422. In this mode, capturing interlaced input and output the interlaced fields from individual ports. Field 1 data will be wrote to FIFO0 output buffer and field 2



			<p>data will be wrote to FIFO1 output buffer.</p> <p>1000: field MB YCbCr 422 1001: field MB YCbCr 420 1010: frame MB YCbCr 420 1011: frame MB YCbCr 422</p> <p>When the input format is set YUV422 0000: planar YUV 422 0001: planar YUV 420 0100: planar YUV 422 UV combined 0101: planar YUV 420 UV combined 1000: MB YUV 422 1001: MB YUV 420</p> <p>When the input format is set YUV444 1100: field planar YUV 444 1101: field planar YUV 422 UV combined 1110: frame planar YUV 444 1111: frame planar YUV 422 UV combined</p>
15:12	/	/	/
11:10	R/W	0	<p>FIELD_SEL</p> <p>Field selection. Applies to CCIR656 interface only.</p> <p>00: start capturing with field 1. 01: start capturing with field 2. 10: start capturing with either field. 11: reserved</p>
09:08	R/W	2	<p>INPUT_SEQ</p> <p>Input data sequence, only valid for Bayer mode and YUV422 mode.</p> <p>00: YUYV 01: YVYU 10: UYVY 11: VYUY</p>
07:05	/	/	/
4	R/W	0	<p>FPS_DS</p> <p>Fps down sample(failed, no this code)</p> <p>0: no down sample 1: 1/2 fps, only receives the first frame every 2 frames</p>
3	R/W	0	<p>FIELD_POL</p> <p>Field polarity</p> <p>0: negative(field=0 indicate odd, field=1 indicate even) 1: positive(field=1 indicate odd, field=0 indicate even)</p> <p>This register is not apply to CCIR656 interface.</p>



02	R/W	1	VREF_POL Vref polarity 0: negative 1: positive This register is not apply to CCIR656 interface.
01	R/W	0	HERF_POL Href polarity 0: negative 1: positive This register is not apply to CCIR656 interface.
00	R/W	1	CLK_POL Data clock type 0: active in falling edge 1: active in rising edge

32.6.3.CSI capture control register

Offset Address: 0X0008			Register Name: CSI1_CAP_REG
Bit	Read/ Write	Default /Hex	Description
31:02	/	/	/
01	R/W	0	VCAP_ON Video capture control: Capture the video image data stream. 0: Disable video capture If video capture is in progress, the CSI stops capturing image data at the end of the current frame, and all of the current frame data is wrote to output FIFO. 1: Enable video capture The CSI starts capturing image data at the start of the next frame.
00	W	0	SCAP_ON Still capture control: Capture a single still image frame. 0: Disable still capture. 1: Enable still capture The CSI module starts capturing image data at the start of the next frame. The CSI module captures only one frame of image data. This bit is self clearing and always reads as a 0.

32.6.4.CSI horizontal scale register

Offset Address: 0X000C			Register Name: CSI0_SCALE_REG
Bit	Read/ Write	Default	Description



	Write	/Hex	
31:28	/	/	/
27:24	R/W	F	VER_MASK Vertical (line) mask. Every 4-line is a mask group. Bit 24 mask the first line, bit 25 mask the second line, and so on. Mask bit = 0 means discarding this line data.
23:16	/	/	/
15:00	R/W	FFFF	HOR_MASK Horizontal (datastream) mask. Every 16-byte is a mask group. Bit 0 mask the first byte, bit 1 mask the second byte, and so on. Mask bit = 0 means discarding this byte from the datastream.

32.6.5.CSI Channel_0 FIFO 0 output buffer-A address register

Offset Address: 0X0010			Register Name: CSI1_F0_BUFA_REG
Bit	Read/Write	Default/Hex	Description
31:00	R/W	0	F0_BUFA FIFO 0 output buffer-A address

32.6.6.CSI Channel_0 FIFO 0 output buffer-B address register

Offset Address: 0X0014			Register Name: CSI1_F0_BUFB_REG
Bit	Read/Write	Default/Hex	Description
31:00	R/W	0	F0_BUFB FIFO 0 output buffer-B address

32.6.7.CSI Channel_0 FIFO 1 output buffer-A address register

Offset Address: 0X0018			Register Name: CSI1_F1_BUFA_REG
Bit	Read/Write	Default/Hex	Description
31:00	R/W	0	F1_BUFA



			FIFO 1 output buffer-A address
--	--	--	--------------------------------

32.6.8.CSI Channel_0 FIFO 1 output buffer-B address register

Offset Address: 0X001C			Register Name: CSI1_F1_BUFB_REG
Bit	Read/ Write	Default /Hex	Description
31:00	R/W	0	F1_BUFB FIFO 1 output buffer-B address

32.6.9.CSI Channel_0 FIFO 2 output buffer-A address register

Offset Address: 0X0020			Register Name: CSI1_F2_BUFA_REG
Bit	Read/ Write	Default /Hex	Description
31:00	R/W	0	F2_BUFA FIFO 2 output buffer-A address

32.6.10. CSI Channel_0 FIFO 2 output buffer-B address register

Offset Address: 0X0024			Register Name: CSI1_F2_BUFB_REG
Bit	Read/ Write	Default /Hex	Description
31:00	R/W	0	F2_BUFB FIFO 2 output buffer-B address

32.6.11. CSI Channel_0 output buffer control register

Offset Address: 0X0028			Register Name: CSI1_BUF_CTL_REG
Bit	Read/ Write	Default /Hex	Description
31:03	/	/	/
02	R/W	0	DBN



			Buffer selected at next storing for CSI 0: Next buffer selection is buffer-A 1: Next buffer selection is buffer-B
01	R	0	DBS output buffer selected status 0: Selected output buffer-A 1: Selected output buffer-B
00	R/W	0	DBE Double buffer mode enable 0: disable 1: enable If the double buffer mode is disabled, the buffer-A will be always selected by CSI module.

32.6.12. CSI Channel_0 status register

Offset Address: 0X002C			Register Name: CSI1_BUF_STA_REG
Bit	Read/ Write	Default /Hex	Description
31:08	R	0	LUM_STATIS luminance statistical value When frame done interrupt flag come, value is ready and will last until next frame done. For raw data, value = $(G \gg 1 + R + G) \gg 8$ For yuv422, value = $Y \gg 8$
07:02	/	/	/
01	R	0	VCAP_STA Video capture in progress Indicates the CSI is capturing video image data (multiple frames). The bit is set at the start of the first frame after enabling video capture. When software disables video capture, it clears itself after the last pixel of the current frame is captured.
00	R	0	SCAP_STA Still capture in progress Indicates the CSI is capturing still image data (single frame). The bit is set at the start of the first frame after enabling still frame capture. It clears itself after the last pixel of the first frame is captured. For CCIR656 interface, if the output format is frame planar YCbCr 420 mode, the frame end means the field2 end, the other frame end means filed end.

**32.6.13. CSI Channel_0 interrupt enable register**

Offset Address: 0X0030			Register Name: CSI1_INT_EN_REG
Bit	Read/ Write	Default /Hex	Description
31:08	/	/	/
07	R/W	0	VS_INT_EN vsync flag The bit is set when vsync come. And at this time load the buffer address for the coming frame. So after this irq come, change the buffer address could only effect next frame
06	R/W	0	HB_OF_INT_EN Hblank FIFO overflow The bit is set when 3 FIFOs still overflow after the hblank.
		0	PRTC_ERR_INT_EN
04	R/W	0	FIFO2_OF_INT_EN FIFO 2 overflow The bit is set when the FIFO 2 become overflow.
03	R/W	0	FIFO1_OF_INT_EN FIFO 1 overflow The bit is set when the FIFO 1 become overflow.
02	R/W	0	FIFO0_OF_INT_EN FIFO 0 overflow The bit is set when the FIFO 0 become overflow.
01	R/W	0	FD_INT_EN Frame done Indicates the CSI has finished capturing an image frame. Applies to video capture mode. The bit is set after each completed frame capturing data is wrote to buffer as long as video capture remains enabled.
00	R/W	0	CD_INT_EN Capture done Indicates the CSI has completed capturing the image data. For still capture, the bit is set when one frame data has been wrote to buffer. For video capture, the bit is set when the last frame has been wrote to buffer after video capture has been disabled. For CCIR656 interface, if the output format is frame planar YCbCr 420 mode, the frame end means the field2 end, the other frame end means field end.

**32.6.14. CSI Channel_0 interrupt status register**

Offset Address: 0X0034			Register Name: CSI1_INT_STA_REG
Bit	Read/ Write	Default /Hex	Description
31:08	/	/	/
07	R/W	0	VS_PD vsync flag
06	R/W	0	HB_OF_PD Hblank FIFO overflow
			PRTC_ERR_PD
04	R/W	0	FIFO2_OF_PD FIFO 2 overflow
03	R/W	0	FIFO1_OF_PD FIFO 1 overflow
02	R/W	0	FIFO0_OF_PD FIFO 0 overflow
01	R/W	0	FD_PD Frame done
00	R/W	0	CD_PD Capture done

32.6.15. CSI Channel_0 horizontal size register

Offset Address: 0X0040			Register Name: CSI1_HSIZE_REG
Bit	Read/ Write	Default /Hex	Description
31:29	/	/	/
28:16	R/W	500	HOR_LEN Horizontal pixel clock length. Valid pixel clocks of a line.
15:13	/	/	/
12:00	R/W	0	HOR_START Horizontal pixel clock start.Pixel data is valid from this clock.

32.6.16. CSI Channel_0 vertical size register

Offset Address: 0X0044			Register Name: CSI1_VSIZE_REG
Bit	Read/ Write	Default /Hex	Description
31:29	/	/	/



28:16	R/W	1E0	VER_LEN Vertical line length. Valid line number of a frame.
15:13	/	/	/
12:00	R/W	0	VER_START Vertical line start. data is valid from this line.

32.6.17. CSI Channel_0 buffer length register

Offset Address: 0X0048			Register Name: CSI1_BUF_LEN_REG
Bit	Read/ Write	Default /Hex	Description
31:13	/	/	/
12:00	R/W	280	BUF_LEN Buffer length of a line. Unit is byte. It is the max of the 3 FIFOs

33. LCD/TV Timing Controller

33.1. Overview

TCON in A10 is of high flexibility in timing configuration as well as LCD module compatibility.

33.2. Block Diagram

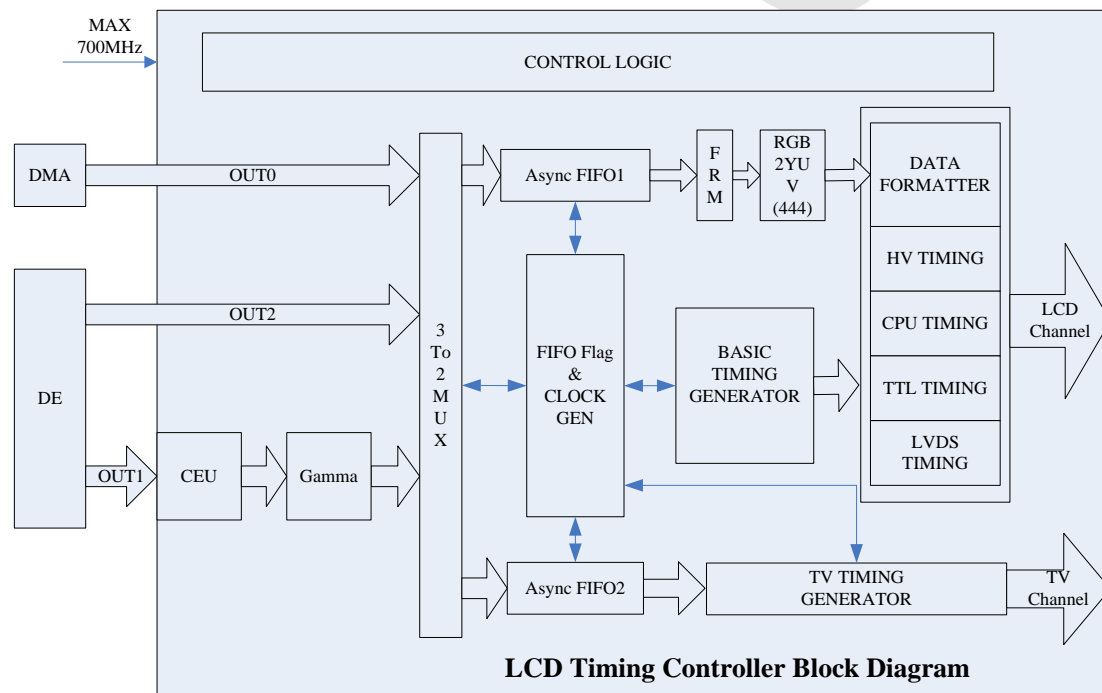


Figure33-1 Block Diagram

33.3. LCD/TV Timing Controller Register List

Module Name	Base Address
TCON	0x01C0C000

Register Name	Offset	Description
TCON_GCTL_REG	0x0000	TCON global control register
TCON_GINT0_REG	0x0004	TCON global interrupt register0



TCON_GINT1_REG	0x0008	TCON global interrupt register1
TCON_FRM_CTL_REG	0x0010	TCON FRM control register
TCON_FRM_PSEED_R_REG	0x0014	TCON FRM seed register0
TCON_FRM_PSEED_G_REG	0x0018	TCON FRM seed register1
TCON_FRM_PSEED_B_REG	0x001C	TCON FRM seed register2
TCON_FRM_LSEED_R_REG	0x0020	TCON FRM seed register3
TCON_FRM_LSEED_G_REG	0x0024	TCON FRM seed register4
TCON_FRM_LSEED_B_REG	0x0028	TCON FRM seed register5
TCON0_FRM_TAB0_REG	0x002C	TCON FRM table register0
TCON0_FRM_TAB1_REG	0x0030	TCON FRM table register1
TCON0_FRM_TAB2_REG	0x0034	TCON FRM table register2
TCON0_FRM_TAB3_REG	0x0038	TCON FRM table register3
TCON0_CTL_REG	0x0040	TCON0 control register
TCON0_DCLK_REG	0x0044	TCON0 data clock register
TCON0_BASIC0_REG	0x0048	TCON0 basic timing register0
TCON0_BASIC1_REG	0x004C	TCON0 basic timing register1
TCON0_BASIC2_REG	0x0050	TCON0 basic timing register2
TCON0_BASIC3_REG	0x0054	TCON0 basic timing register3
TCON0_HV_IF_REG	0x0058	TCON0 hv panel interface register
TCON0_CPU_IF_REG	0x0060	TCON0 cpu panel interface register
TCON0_CPU_WR_REG	0x0064	TCON0 cpu panel write data register
TCON0_CPU_RD0_REG	0x0068	TCON0 cpu panel read data register0
TCON0_CPU_RD1_REG	0x006C	TCON0 cpu panel read data register1
TCON0_TTL0_REG	0x0070	TCON0 ttl timing register0
TCON0_TTL1_REG	0x0074	TCON0 ttl timing register1
TCON0_TTL2_REG	0x0078	TCON0 ttl timing register2
TCON0_TTL3_REG	0x007C	TCON0 ttl timing register3
TCON0_TTL4_REG	0x0080	TCON0 ttl timing register4
TCON0_LVDS_IF_REG	0x0084	TCON0 lvds panel interface register
TCON0_IO_POL_REG	0x0088	TCON0 IO polarity register
TCON0_IO_TRI_REG	0x008C	TCON0 IO control register
TCON1_CTL_REG	0x0090	TCON1 control register
TCON1_BASIC0_REG	0x0094	TCON1 basic timing register0
TCON1_BASIC1_REG	0x0098	TCON1 basic timing register1
TCON1_BASIC2_REG	0x009C	TCON1 basic timing register2
TCON1_BASIC3_REG	0x00A0	TCON1 basic timing register3
TCON1_BASIC4_REG	0x00A4	TCON1 basic timing register4
TCON1_BASIC5_REG	0x00A8	TCON1 basic timing register5
TCON1_IO_POL_REG	0x00F0	TCON1 IO polarity register
TCON1_IO_TRI_REG	0x00F4	TCON1 IO control register
TCON_ECC_FIFO_REG	0x00F8	TCON ECC FIFO register
Reserved	/	/



TCON_CEU_CTL_REG	0x0100	TCON CEU control register
TCON_CEU_MUL_RR_REG	0x0110	TCON CEU coefficient register0
TCON_CEU_MUL_RG_REG	0x0114	TCON CEU coefficient register1
TCON_CEU_MUL_RB_REG	0x0118	TCON CEU coefficient register2
TCON_CEU_ADD_RC_REG	0x011C	TCON CEU coefficient register3
TCON_CEU_MUL_GR_REG	0x0120	TCON CEU coefficient register4
TCON_CEU_MUL_GG_REG	0x0124	TCON CEU coefficient register5
TCON_CEU_MUL_GB_REG	0x0128	TCON CEU coefficient register6
TCON_CEU_ADD_GC_REG	0x012C	TCON CEU coefficient register7
TCON_CEU_MUL_BR_REG	0x0130	TCON CEU coefficient register8
TCON_CEU_MUL_BG_REG	0x0134	TCON CEU coefficient register9
TCON_CEU_MUL_BB_REG	0x0138	TCON CEU coefficient register10
TCON_CEU_ADD_BC_REG	0x013C	TCON CEU coefficient register11
TCON_CEU_RANGE_R_REG	0x0140	TCON CEU coefficient register12
TCON_CEU_RANGE_G_REG	0x0144	TCON CEU coefficient register13
TCON_CEU_RANGE_B_REG	0x0148	TCON CEU coefficient register14
TCON1_FILL_CTL_REG	0x0300	TCON1 fill data control register
TCON1_FILL_BEG0_REG	0x0304	TCON1 fill data begin register0
TCON1_FILL_END0_REG	0x0308	TCON1 fill data end register0
TCON1_FILL_DATA0_REG	0x030C	TCON1 fill data value register0
TCON1_FILL_BEG1_REG	0x0310	TCON1 fill data begin register1
TCON1_FILL_END1_REG	0x0314	TCON1 fill data end register1
TCON1_FILL_DATA1_REG	0x0318	TCON1 fill data value register1
TCON1_FILL_BEG2_REG	0x031C	TCON1 fill data begin register2
TCON1_FILL_END2_REG	0x0320	TCON1 fill data end register2
TCON1_FILL_DATA2_REG	0x0324	TCON1 fill data value register2
TCON1_GAMMA_TABLE_REG	0x0400	TCON1 gamma table register 0x400-0x7FF

33.4. LCD/TV Timing Controller registers definition

33.4.1. TCON global control register

Offset: 0x000			Register Name: TCON_GCTL_REG
Bit	Read/ Write	Default /Hex	Description
31	R/W	0	TCON_En 0: disable 1: enable When it's disabled, the module will be reset to idle state.



30	R/W	0	TCON_Gamma_En 0: disable 1: enable
29:1	/	/	/
0	R/W	0	IO_Map_Sel 0: TCON0 1: TCON1 Note: this bit determined which IO_INV/IO_TRI are valid

33.4.2. TCON global interrupt register0

Offset: 0x004			Register Name: TCON_GINT0_REG
Bit	Read/Write	Default/Hex	Description
31	R/W	0	TCON0_Vb_Int_En 0: disable 1: enable
30	R/W	0	TCON1_Vb_Int_En 0: disable 1: enable
29	R/W	0	TCON0_Line_Int_En 0: disable 1: enable
28	R/W	0	TCON1_Line_Int_En 0: disable 1: enable
27:16	/	/	/
15	R/W	0	TCON0_Vb_Int_Flag Asserted during vertical no-display period every frame. Write 0 to clear it.
14	R/W	0	TCON1_Vb_Int_Flag Asserted during vertical no-display period every frame. Write 0 to clear it.
13	R/W	0	TCON0_Line_Int_Flag trigger when SY0 match the current TCON0 scan line Write 0 to clear it.
12	R/W	0	TCON1_Line_Int_Flag trigger when SY1 match the current TCON1 scan line Write 0 to clear it.
11:0	/	/	/



33.4.3.TCON global interrupt register1

Offset: 0x008			Register Name: TCON_GINT1_REG
Bit	Read/ Write	Default /Hex	Description
31:27	/	/	/
26:16	R/W	0	TCON0_Line_Int_Num scan line for TCON0 line trigger(including inactive lines) Setting it for the specified line for trigger0. Note: SY0 is writable only when LINE_TRG0 is disabled.
15:11	/	/	/
10:0	R/W	0	TCON1_Line_Int_Num scan line for TCON1 line trigger(including inactive lines) Setting it for the specified line for trigger 1. Note: SY1 is writable only when LINE_TRG1 is disabled.

33.4.4.TCON FRM control register

Offset: 0x010			Register Name: TCON_FRM_CTL_REG
Bit	Read/ Write	Default /Hex	Description
31	R/W	0	TCON0_Frm_En 0:disable 1:enable
30:7	/	/	/
6	R/W	0	TCON0_Frm_Mode_R 0: 6bit frm output 1: 5bit frm output
5	R/W	0	TCON0_Frm_Mode_G 0: 6bit frm output 1: 5bit frm output
4	R/W	0	TCON0_Frm_Mode_B 0: 6bit frm output 1: 5bit frm output
3:2	/	/	/
1:0	R/W	0	TCON0_Frm_Test 00: FRM 01: half 5/6bit, half FRM 10: half 8bit, half FRM 11: half 8bit, half 5/6bit

**33.4.5.TCON FRM seed register**

Offset: 0x014			Register Name: TCON_FRM_PSEED_R_REG
Bit	Read/ Write	Default /Hex	Description
31:25	/	/	/
24:0	R/W	0	Pixel_Seed_Value Note: avoid set it to 0

Offset: 0x018			Register Name: TCON_FRM_PSEED_G_REG
Bit	Read/ Write	Default /Hex	Description
31:25	/	/	/
24:0	R/W	0	Pixel_Seed_Value Note: avoid set it to 0

Offset: 0x01C			Register Name: TCON_FRM_PSEED_B_REG
Bit	Read/ Write	Default /Hex	Description
31:25	/	/	/
24:0	R/W	0	Pixel_Seed_Value Note: avoid set it to 0

Offset: 0x020			Register Name: TCON_FRM_LSEED_R_REG
Bit	Read/ Write	Default /Hex	Description
31:13	/	/	/
12:0	R/W	0	Line_Seed_Value Note: avoid set it to 0

Offset: 0x024			Register Name: TCON_FRM_LSEED_G_REG
Bit	Read/ Write	Default /Hex	Description
31:13	/	/	/
12:0	R/W	0	Line_Seed_Value Note: avoid set it to 0

Offset: 0x028			Register Name: TCON_FRM_LSEED_B_REG
Bit	Read/ Write	Default /Hex	Description
31:13	/	/	/
12:0	R/W	0	Line_Seed_Value



			Note: avoid set it to 0
--	--	--	-------------------------

33.4.6.TCON FRM table register

Offset: 0x02C			Register Name: TCON0_FRM_TAB0_REG
Bit	Read/ Write	Default /Hex	Description
31:0	R/W	0	Frm_Table_Value

Offset: 0x030			Register Name: TCON0_FRM_TAB1_REG
Bit	Read/ Write	Default /Hex	Description
31:0	R/W	0	Frm_Table_Value

Offset: 0x034			Register Name: TCON0_FRM_TAB2_REG
Bit	Read/ Write	Default /Hex	Description
31:0	R/W	0	Frm_Table_Value

Offset: 0x038			Register Name: TCON0_FRM_TAB3_REG
Bit	Read/ Write	Default /Hex	Description
31:0	R/W	0	Frm_Table_Value

33.4.7.TCON0 control register

Offset: 0x040			Register Name: TCON0_CTL_REG
Bit	Read/ Write	Default /Hex	Description
31	R/W	0	TCON0_En 0: disable 1: enable Note: It executes at the beginning of the first blank line of TCON0 timing.
30:26	/	/	/
25:24	R/W	0	TCON0_IF 00: HV(Sync+DE) 01: 8080 I/F 10: TTL I/F 11: reserved
23	R/W	0	TCON0_RG_Swap



			0: default 1: swap RED and BLUE data at FIFO1
22	R/W	0	TCON0_Test_Value 0:all 0s 1:all 1s
21	R/W	0	TCON0_FIFO1_Rst Write 1 and then 0 at this bit will reset FIFO 1 Note: 1 holding time must more than 1 DCLK
20	R/W	0	TCON0_Interlace_En 0:disable 1:enable NOTE: this flag is valid only when TCON0_EN == 1
19:9	/	/	/
8:4	R/W	0	TCON0_State_Delay STA delay NOTE: valid only when TCON0_EN == 1
3:2	/	/	/
1:0	R/W	0	TCON0_SRC_SEL: 00: DE CH1(FIFO1 enable) 01: DE CH2(FIFO1 enable) 10: DMA 565 input(FIFO1 enable) 11: Test input(FIFO1 disable) Note: 1. These bits are sampled only at the beginning of the first blank line of TCON0 timing. 2. Generally, when input source is changed, it would change at the beginning of the first blank line of TCON0 timing. 3. When FIFO1 and FIFO2 select the same source and FIFO2 is enabled, it executes at the beginning of the first blank line of TV timing. Also, TCON0 timing generator will reset to the beginning of the first blank line.

33.4.8.TCON0 data clock register

Offset: 0x044			Register Name: TCON0_DCLK REG
Bit	Read/ Write	Default /Hex	Description
31:28	R/W	0	TCON0_Dclk_En LCLK_EN[3:0] :TCON0 clock enable 4'h0, 'h4,4'h6,4'ha7:dclk_en=0;dclk1_en=0;dclk2_en=0;dclkm2_en=0; 4'h1: dclk_en = 1; dclk1_en = 0; dclk2_en = 0; dclkm2_en = 0; 4'h2: dclk_en = 1; dclk1_en = 0; dclk2_en = 0; dclkm2_en = 1;



			<p>4'h3: dclk_en = 1; dclk1_en = 1; dclk2_en = 0; dclkm2_en = 0; 4'h5: dclk_en = 1; dclk1_en = 0; dclk2_en = 1; dclkm2_en = 0; 4'h8,4'h9,4'ha,4'hb,4'hc,4'hd,4'he,4'hf:</p> <p style="padding-left: 40px;">dclk_en = 1; dclk1_en = 1; dclk2_en = 1; dclkm2_en = 1;</p>
27:7	/	/	/
6:0	R/W	0	<p>TCON0_Dclk_Div $Tdclk = Tscclk * DCLKDIV$ Note: 1.if dclk1&dclk2 used, DCLKDIV >=6 2.if dclk only, DCLKDIV >=4</p>

33.4.9. TCON0 basic timing register0

Offset: 0x048			Register Name: TCON0_BASIC0_REG
Bit	Read/Write	Default/Hex	Description
31:27	/	/	/
26:16	R/W	0	<p>TCON0_X Panel width is X+1</p>
15:11	/	/	/
10:0	R/W	0	<p>TCON0_Y Panel height is Y+1</p>

33.4.10. TCON0 basic timing register1

Offset: 0x04C			Register Name: TCON0_BASIC1_REG
Bit	Read/Write	Default/Hex	Description
31	R/W	0	<p>UF_En 0: default 1: delay next line sync(Hsync in basic timing) until the FIFO1 is full Note: it must be used when FIFO depth is less than one line active pixels.</p>
30:28	/	/	/
27:16	R/W	0	<p>HT $T_{cycle} = (HT+1) * Tdclk$ Note:1) parallel :HT >= (HBP +1) + (X+1) +2 2) serial 1: HT >= (HBP +1) + (X+1) *3+2 3) serial 2: HT >= (HBP +1) + (X+1) *3/2+2</p>



15:10	/	/	/
9:0	R/W	0	HBP horizontal back porch (in dclk) $Thbp = (HBP + 1) * Tdclk$

33.4.11. TCON0 basic timing register2

Offset: 0x050			Register Name: TCON0_BASIC2_REG
Bit	Read/Write	Default/Hex	Description
31:28	/	/	/
27:16	R/W	0	VT $TVT = (VT)/2 * Thsync$ Note: $VT/2 \geq (VBP+1) + (Y+1) + 2$
15:10	/	/	/
9:0	R/W	0	VBP $Tvbp = (VBP + 1) * Thsync$

33.4.12. TCON0 basic timing register3

Offset: 0x054			Register Name: TCON0_BASIC3_REG
Bit	Read/Write	Default/Hex	Description
31:26	/	/	/
25:16	R/W	0	HSPW $Thspw = (HSPW+1) * Tdclk$ Note: $HT > (HSPW+1)$
15:10	/	/	/
9:0	R/W	0	VSPW $Tvspw = (VSPW+1) * Thsync$ Note: $VT/2 > (VSPW+1)$

33.4.13. TCON0 hv panel interface register

Offset: 0x058			Register Name: TCON0_HV_IF_REG
Bit	Read/Write	Default/Hex	Description
31	R/W	0	HV_Mode 0: 24bit parallel mode 1: 8bit serial mode
30	R/W	0	Serial_Mode



			0: 8bit/3cycle RGB serial mode(RGB888) 1: 8bit/2cycle YUV serial mode(CCIR656)
29:28	/	/	/
27:26	R/W	0	RGB888_SM0 serial RGB888 mode Output sequence at odd lines of the panel (line 1, 3, 5, 7...) 00: R→G→B 01: B→R→G 10: G→B→R 11: R→G→B
25:24	R/W	0	RGB888_SM1 serial RGB888 mode Output sequence at even lines of the panel (line 2, 4, 6, 8...) 00: R→G→B 01: B→R→G 10: G→B→R 11: R→G→B
23:22	R/W	0	YUV_SM serial YUV mode Output sequence 2-pixel-pair of every scan line 00: YUYV 01: YVYU 10: UYVY 11: VYUY
21:20	R/W	0	YUV EAV/SAV F line delay 0:F toggle right after active video line 1:delay 2 line(CCIR NTSC) 2:delay 3 line(CCIR PAL) 3:reserved
19:0	/	/	/

33.4.14. TCON0 cpu panel interface register

Offset: 0x060			Register Name: TCON0_CPU_IF_REG
Bit	Read/ Write	Default /Hex	Description
31:29	R/W	0	CPU_MOD 000: 18bit/256K mode 001: 16bit mode0 010: 16bit mode1 011: 16bit mode2 100: 16bit mode3 101: 9bit mode



			110: 8bit 256K mode 111: 8bit 65K mode
28	R/W	0	AUTO auto Transfer Mode: If it's 1, all the valid data during this frame are write to panel. Note: This bit is sampled by Vsync
27	R/W	0	FLUSH direct transfer mode: If it's enabled, FIFO1 is regardless of the HV timing, pixels data keep being transferred unless the input FIFO was empty. Data output rate control by DCLK.
26	R/W	0	DA pin A1 value in 8080 mode auto/flash states
25	R/W	0	CA pin A1 value in 8080 mode WR/RD execute
24	R/W	0	VSYNC_Cs_Sel 0:CS 1:VSYNC
23	R	0	Wr_Flag 0:write operation is finishing 1:write operation is pending
22	R	0	Rd_Flag 0:read operation is finishing 1:read operation is pending
21:0	/	/	/

33.4.15. TCON0 cpu panel write data register

Offset: 0x064			Register Name: TCON0_CPU_WR_REG
Bit	Read/ Write	Default /Hex	Description
31:24	/	/	/
23:0	W	0	Data_Wr data write on 8080 bus, launch a write operation on 8080 bus

33.4.16. TCON0 cpu panel read data register0

Offset: 0x068			Register Name: TCON0_CPU_RD0_REG
Bit	Read/ Write	Default /Hex	Description
31:24	/	/	/
23:0	R	/	Data_Rd0



			data read on 8080 bus, launch a new read operation on 8080 bus
--	--	--	--

33.4.17. TCON0 cpu panel read data register1

Offset: 0x06C			Register Name: TCON0_CPU_RD1_REG
Bit	Read/Write	Default/Hex	Description
31:24	/	/	/
23:0	R	/	Data_Rd1 data read on 8080 bus, without a new read operation on 8080 bus

33.4.18. TCON0 ttl panel timing register 0

Offset: 0x070			Register Name: TCON0_TTL0_REG
Bit	Read/Write	Default/Hex	Description
31:20	R/W	0	STVH STV high plus width (in dclk) $Tstvh = (STVH + 1) * Tdclk$ Note: STV has a period of one frame
19:0	R/W	0	STVD VSYNC-STV delay time $Tstvd = STVD[19:10] * Thsync + STVD[9:0] * Tdclk$

33.4.19. TCON0 ttl panel timing register 1

Offset: 0x074			Register Name: TCON0_TTL1_REG
Bit	Read/Write	Default/Hex	Description
31:30	R/W	0	CKVT CKV period (in line) $Tckvt = (CKVT + 1) * Thsync$
29:20	/	/	/
19:10	R/W	0	CKVH CKV high plus width (in dclk) $Tckvh = (CKVH + 1) * Tdclk$
9:0	R/W	0	CKVD VSYNC-CKV delay time(in dclk) $Tdskv = CKVD * Tdclk$

**33.4.20. TCON0 ttl panel timing register 2**

Offset: 0x078			Register Name: TCON0_TTL2_REG
Bit	Read/ Write	Default /Hex	Description
31:30	R/W	0	OEVT OEV period (in line) $Toevt = (OEVT + 1) * Thsync$
29:20	/	/	/
19:10	R/W	0	OEVH OEV high plus width (in dclk) $Toevh = (OEVH + 1) * Tdclk$
9:0	R/W	0	OEVD VSYNC -OEV delay time(in dclk) $Toevd = OEVD * Tdclk$

33.4.21. TCON0 ttl panel timing register3

Offset: 0x07C			Register Name: TCON0_TTL3_REG
Bit	Read/ Write	Default /Hex	Description
31:26	R/W	0	STHH STH high plus time(in dclk) $Tsthh = (STHH+1) * Tdclk$ Note: STH has a period of one line
25:16	R/W	0	STHD HSYNC-STH delay time(in dclk) $Tsthd = STHD * Tdclk$
15:10	R/W	0	OEHH OEH high plus time(in dclk) $Tldh = (OEHH+1) * Tdclk$
9:0	R/W	0	OEHD HSYNC -OEH delay time(in dclk) $Tldd = OEHD * Tdclk$

33.4.22. TCON0 ttl panel timing register3

Offset: 0x080			Register Name: TCON0_TTL4_REG
Bit	Read/ Write	Default /Hex	Description
31:24	/	/	/



23	R/W	0	Output_Data_Rate 0: single data rate (SDR). LCD read data at the rising edge of clock 1: Double data rate (DDR). (The first data of every line must be ready at rising edge of CKH/CKH1/CKH2.) Note: When DATA_RATE = 1, HT and HBP had better be even number; CKH-CKH1 and CKH1-CKH2 delay time is always 1/3 Tdclk
22	R/W	0	Rev_Sel REV toggle mode 0: 1H time toggle mode with frame inversion 1: Frame toggle mode Note: no matter in which mode, make sure REV has different polarity at the beginning of every frame (take VSYNC as reference).
21	R/W	0	TTL_Data_Inv_En 0: disable 1: data inverted ref to REV signal
20	R/W	0	TTL_Data_Inv_Sel TTL data invert mode 0: bit inverted when REV is 1 1: bit inverted when REV is 0
19:10	/	/	/
9:0	R/W	0	REVD HSYNC-REV delay time(in dclk) $T_{revd} = REVD * T_{dclk}$ Note: 1. When REV_SEL is 0, REV has a 2H period with 50% duty. 2. When REV_SEL is 1, REV has a 2 Frame period with 50% duty. 3. Make sure REV has different polarity at the beginning of every frame(take VSYNC as reference).

33.4.23. TCON0 lvds panel interface register

Offset: 0x084			Register Name: TCON0_LVDS_IF_REG
Bit	Read/Write	Default/Hex	Description
31	R/W	0	TCON0_LVDS_En 0: disable 1: enable
30	/	/	/
29	/	/	/



28	R/W	0	TCON0_LVDS_Dir 1: normal 2: reverse NOTE: LVDS direction
27	R/W	0	TCON0_LVDS_Mode 0: NS mode 1: JEIDA mode
26	R/W	0	TCON0_LVDS_BitWidth 0: 24bit 1: 18bit
25	/	/	Reserved
24	/	/	Reserved
23	R/W	0	TCON0_LVDS_Correct_Mode 0: mode0 1: mode1
22:0	/	/	/

33.4.24. TCON0 IO polarity register

Offset: 0x088			Register Name: TCON0_IO_POL_REG
Bit	Read/Write	Default/Hex	Description
31:30	/	/	/
29:28	R/W	0	DCLK_Sel 00: used DCLK0(normal phase offset) 01: used DCLK1(1/3 phase offset) 10: used DCLK2(2/3 phase offset) 11: reserved
27	R/W	0	IO3_Inv 0: not invert 1: invert
26	R/W	0	IO2_Inv 0: not invert 1: invert
25	R/W	0	IO1_Inv 0: not invert 1: invert
24	R/W	0	IO0_Inv 0: not invert 1: invert
23:0	R/W	0	Data_Inv TCON0 output port D[23:0] polarity control, with independent bit



			control: 0s: normal polarity 1s: invert the specify output
--	--	--	--

Offset: 0x08C			Register Name: TCON0_IO_TRI_REG
Bit	Read/ Write	Default /Hex	Description
31:28	/	/	/
27	R/W	1	IO3_Output_Tri_En 1: disable 0: enable
26	R/W	1	IO2_Output_Tri_En 1: disable 0: enable
25	R/W	1	IO1_Output_Tri_En 1: disable 0: enable
24	R/W	1	IO0_Output_Tri_En 1: disable 0: enable
23:0	R/W	0xFFFF FF	Data_Output_Tri_En TCON0 output port D[23:0] output enable, with independent bit control: 1s: disable 0s: enable

33.4.25. TCON1 control register

Offset: 0x090			Register Name: TCON1_CTL_REG
Bit	Read/ Write	Default /Hex	Description
31	R/W	0	TCON1_En 0: disable 1: enable
30:21	/	/	/
20	R/W	0	Interlace_En 0:disable 1:enable
19:9	/	/	/
8:4	R/W	0	Start_Delay This is for DE1 and DE2
3:2	/	/	/



1:0	R/W	0	TCON1_Src_Sel 00: DE CH1(FIFO2 enable) 01: DE CH2(FIFO2 enable) 1x: BLUE data(FIFO2 disable, RGB=0000FF)
-----	-----	---	--

33.4.26. TCON1 basic timing register0

Offset: 0x094			Register Name: TCON1_BASIC0_REG
Bit	Read/Write	Default/Hex	Description
31:28	/	/	/
27:16	R/W	0	TCON1_XI source width is X+1
15:12	/	/	/
11:0	R/W	0	TCON1_YI source height is Y+1

33.4.27. TCON1 basic timing register1

Offset: 0x098			Register Name: TCON1_BASIC1_REG
Bit	Read/Write	Default/Hex	Description
31:28	/	/	/
27:16	R/W	0	LS_XO width is LS_XO+1
15:12	/	/	/
11:0	R/W	0	LS_YO width is LS_YO+1 NOTE: this version LS_YO = TCON1_YI

33.4.28. TCON1 basic timing register2

Offset: 0x09C			Register Name: TCON1_BASIC2_REG
Bit	Read/Write	Default/Hex	Description
31:28	/	/	/
27:16	R/W	0	TCON1_XO width is TCON1_XO+1
15:12	/	/	/
11:0	R/W	0	TCON1_YO height is TCON1_YO+1

**33.4.29. TCON1 basic timing register3**

Offset: 0x0A0			Register Name: TCON1_BASIC3_REG
Bit	Read/ Write	Default /Hex	Description
31:29	/	/	/
28:16	R/W	0	HT horizontal total time $T_{\text{hcycle}} = (\text{HT} + 1) * T_{\text{hdclk}}$
15:12	/	/	/
11:0	R/W	0	HBP horizontal back porch $T_{\text{hbp}} = (\text{HBP} + 1) * T_{\text{hdclk}}$

33.4.30. TCON1 basic timing register4

Offset: 0x0A4			Register Name: TCON1_BASIC4_REG
Bit	Read/ Write	Default /Hex	Description
31:29	/	/	/
28:16	R/W	0	VT horizontal total time (in HD line) $T_{\text{vt}} = \text{VT}/2 * T_{\text{h}}$
15:12	/	/	/
11:0	R/W	0	VBP horizontal back porch (in HD line) $T_{\text{vbp}} = (\text{VBP} + 1) * T_{\text{h}}$

33.4.31. TCON1 basic timing register5

Offset: 0x0A8			Register Name: TCON1_BASIC5_REG
Bit	Read/ Write	Default /Hex	Description
31:26	/	/	/
25:16	R/W	0	HSPW horizontal Sync Pulse Width (in dclk) $T_{\text{hspw}} = (\text{HSPW} + 1) * T_{\text{dclk}}$ Note: $\text{HT} > (\text{HSPW} + 1)$
15:10	/	/	/
9:0	R/W	0	VSPW vertical Sync Pulse Width (in lines)



			$Tv_{spw} = (VSPW+1) * Th$ Note: $VT/2 > (VSPW+1)$
--	--	--	---

33.4.32. TCON1 IO polarity register

Offset: 0x0F0			Register Name: TCON1_IO_POL_REG
Bit	Read/Write	Default/Hex	Description
31:28	/	/	/
27	R/W	0	IO3_Inv 0: not invert 1: invert
26	R/W	0	IO2_Inv 0: not invert 1: invert
25	R/W	0	IO1_Inv 0: not invert 1: invert
24	R/W	0	IO0_Inv 0: not invert 1: invert
23:0	R/W	0	Data_Inv :TCON1 output port D[23:0] polarity control, with independent bit control: 0s: normal polarity 1s: invert the specify output

33.4.33. TCON1 IO control register

Offset: 0x0F4			Register Name: TCON1_IO_TRI_REG
Bit	Read/Write	Default/Hex	Description
31:28	/	/	/
27	R/W	1	IO3_Output_Tri_En 1: disable 0: enable
26	R/W	1	IO2_Output_Tri_En 1: disable 0: enable
25	R/W	1	IO1_Output_Tri_En 1: disable 0: enable
24	R/W	1	IO0_Output_Tri_En



			1: disable 0: enable
23:0	R/W	0xFFFF FF	Data_Output_Tri_En TCON1 output port D[23:0] output enable, with independent bit control: 1s: disable 0s: enable

33.4.34. TCON ECC FIFO register

Offset: 0x0F8			Register Name: TCON_ECC_FIFO_REG
Bit	Read/Write	Default/Hex	Description
31	R/W	/	ECC_FIFO_BIST_EN 0: disable 1: enable
30	R/W	/	ECC_FIFO_ERR_FLAG
29:24	/	/	/
23:16	R/W	/	ECC_FIFO_ERR_BITS
15:8	/	/	/
7:0	R/W	/	ECC_FIFO_SETTING

33.4.35. TCON CEU control register

Offset: 0x100			Register Name: TCON_CEU_CTL_REG
Bit	Read/Write	Default/Hex	Description
31	R/W	0	CEU_en 0: bypass 1: enable
30:0	/	/	/

33.4.36. TCON CEU coefficient register

Offset: 0x110			Register Name: TCON_CEU_MUL_RR_REG
Bit	Read/Write	Default/Hex	Description
31:13	/	/	/
12:0	R/W	0	Coef_Value signed 13bit value, range of (-16,16)



Offset: 0x114			Register Name: TCON_CEU_MUL_RG_REG
Bit	Read/Write	Default/Hex	Description
31:13	/	/	/
12:0	R/W	0	Coef_Value signed 13bit value, range of (-16,16)

Offset: 0x118			Register Name: TCON_CEU_MUL_RB_REG
Bit	Read/Write	Default/Hex	Description
31:13	/	/	/
12:0	R/W	0	Coef_Value signed 13bit value, range of (-16,16)

Offset: 0x11c			Register Name: TCON_CEU_ADD_RC_REG
Bit	Read/Write	Default/Hex	Description
31:19	/	/	/
18:0	R/W	0	Coef_Value signed 19bit value, range of (-16384, 16384)

Offset: 0x120			Register Name: TCON_CEU_MUL_GR_REG
Bit	Read/Write	Default/Hex	Description
31:13	/	/	/
12:0	R/W	0	Coef_Value signed 13bit value, range of (-16,16)

Offset: 0x124			Register Name: TCON_CEU_MUL_GG_REG
Bit	Read/Write	Default/Hex	Description
31:13	/	/	/
12:0	R/W	0	Coef_Value signed 13bit value, range of (-16,16)

Offset: 0x128			Register Name: TCON_CEU_MUL_GB_REG
Bit	Read/Write	Default/Hex	Description
31:13	/	/	/
12:0	R/W	0	Coef_Value signed 13bit value, range of (-16,16)

Offset: 0x12C			Register Name: TCON_CEU_ADD_GC_REG
---------------	--	--	------------------------------------



Bit	Read/ Write	Default /Hex	Description
31:19	/	/	/
18:0	R/W	0	Coef_Value signed 19bit value, range of (-16384, 16384)

Offset: 0x130			Register Name: TCON_CEU_MUL_BR_REG
Bit	Read/ Write	Default /Hex	Description
31:13	/	/	/
12:0	R/W	0	Coef_Value signed 13bit value, range of (-16,16)

Offset: 0x134			Register Name: TCON_CEU_MUL_BG_REG
Bit	Read/ Write	Default /Hex	Description
31:13	/	/	/
12:0	R/W	0	Coef_Value signed 13bit value, range of (-16,16)

Offset: 0x138			Register Name: TCON_CEU_MUL_BB_REG
Bit	Read/ Write	Default /Hex	Description
31:13	/	/	/
12:0	R/W	0	Coef_Value signed 13bit value, range of (-16,16)

Offset: 0x13C			Register Name: TCON_CEU_ADD_BC_REG
Bit	Read/ Write	Default /Hex	Description
31:19	/	/	/
18:0	R/W	0	Coef_Value signed 19bit value, range of (-16384, 16384)

Offset: 0x140			Register Name: TCON_CEU_RANGE_R_REG
Bit	Read/ Write	Default /Hex	Description
31:24	/	/	/
23:16	R/W	0	Coef_Range_Min unsigned 8bit value, range of [0,255]
15:8	/	/	/
7:0	R/W	0	Coef_Range_Max



			unsigned 8bit value, range of [0,255]
--	--	--	---------------------------------------

Offset: 0x144			Register Name: TCON_CEU_RANGE_G_REG
Bit	Read/Write	Default/Hex	Description
31:24	/	/	/
23:16	R/W	0	Coef_Range_Min unsigned 8bit value, range of [0,255]
15:8	/	/	/
7:0	R/W	0	Coef_Range_Max unsigned 8bit value, range of [0,255]

Offset: 0x148			Register Name: TCON_CEU_RANGE_B_REG
Bit	Read/Write	Default/Hex	Description
31:24	/	/	/
23:16	R/W	0	Coef_Range_Min unsigned 8bit value, range of [0,255]
15:8	/	/	/
7:0	R/W	0	Coef_Range_Max unsigned 8bit value, range of [0,255]

33.4.37. TCON0 lvds panel analog register0

Offset: 0x220			Register Name: TCON0_LVDS_ANA0_REG
Bit	Read/Write	Default/Hex	Description
31:30	R/W	0	TCON0_LVDS_CKS
29:28	R/W	0	TCON0_LVDS_CK_EN
27:26	R/W	0	TCON0_LVDS_REG_V
25:23	R/W	0	TCON0_LVDS_REG_C
22	R/W	0	TCON0_LVDS_REG_EN_MB
21:19	R/W	0	TCON0_LVDS_PD
18:17	R/W	0	TCON0_LVDS_DEN
16	R/W	0	TCON0_LVDS_DCHS
15	R/W	0	TCON0_LVDS_LDO_EN
14	R/W	0	TCON0_LVDS_PWS
13:12	R/W	0	TCON0_LVDS_TEST_CK
11:0	/	/	/

**33.4.38. TCON0 lvds panel analog register1**

Offset: 0x224			Register Name: TCON0_LVDS_ANA1_REG
Bit	Read/ Write	Default /Hex	Description
31	/	/	/
30:27	R/W	0	TCON0_LVDS_REG_PREN_DRV0
26	R/W	0	TCON0_LVDS_REG_PREN_DRV0C
25:22	R/W	0	TCON0_LVDS_REG_PLR0
21	R/W	0	TCON0_LVDS_REG_PLR0C
20:17	R/W	0	TCON0_LVDS_REG_EN_DRV0
16	R/W	0	TCON0_LVDS_REG_EN_DRV0C
15	/	/	/
14:11	R/W	0	TCON0_LVDS_REG_PREN_DRV1
10	R/W	0	TCON0_LVDS_REG_PREN_DRV1C
9:6	R/W	0	TCON0_LVDS_REG_PLR1
5	R/W	0	TCON0_LVDS_REG_PLR1C
4:1	R/W	0	TCON0_LVDS_REG_EN_DRV1
0	R/W	0	TCON0_LVDS_REG_EN_DRV1C

33.4.39. TCON1 fill data control register

Offset: 0x300			Register Name: TCON1_FILL_CTL_REG
Bit	Read/ Write	Default /Hex	Description
31	R/W	0	TCON1_Fill_En: 0: bypass 1: enable
30:0	/	/	/

33.4.40. TCON1 fill data begin register

Offset: 0x304			Register Name: TCON1_FILL_BEG0_REG
Bit	Read/ Write	Default /Hex	Description
31:24	/	/	/
23:0	R/W	0	Fill_Begin

**33.4.41. TCON1 fill data end register**

Offset: 0x308			Register Name: TCON1_FILL_END0_REG
Bit	Read/ Write	Default /Hex	Description
31:24	/	/	/
23:0	R/W	0	Fill_End

33.4.42. TCON1 fill data value register

Offset: 0x30C			Register Name: TCON1_FILL_DATA0_REG
Bit	Read/ Write	Default /Hex	Description
31:24	/	/	/
23:0	R/W	0	Fill_Value

33.4.43. TCON1 fill data begin register

Offset: 0x310			Register Name: TCON1_FILL_BEG1_REG
Bit	Read/ Write	Default /Hex	Description
31:24	/	/	/
23:0	R/W	0	Fill_Begin

33.4.44. TCON1 fill data end register

Offset: 0x314			Register Name: TCON1_FILL_END1_REG
Bit	Read/ Write	Default /Hex	Description
31:24	/	/	/
23:0	R/W	0	Fill_End

33.4.45. TCON1 fill data value register

Offset: 0x318			Register Name: TCON1_FILL_DATA1_REG
Bit	Read/ Write	Default /Hex	Description
31:24	/	/	/



23:0	R/W	0	Fill_Value
------	-----	---	------------

33.4.46. TCON1 fill data begin register

Offset: 0x31C			Register Name: TCON1_FILL_BEG2_REG
Bit	Read/ Write	Default /Hex	Description
31:24	/	/	/
23:0	R/W	0	Fill_Begin

33.4.47. TCON1 fill data end register

Offset: 0x320			Register Name: TCON1_FILL_END2_REG
Bit	Read/ Write	Default /Hex	Description
31:24	/	/	/
23:0	R/W	0	Fill_End

33.4.48. TCON1 fill data value register

Offset: 0x324			Register Name: TCON1_FILL_DATA2_REG
Bit	Read/ Write	Default /Hex	Description
31:24	/	/	/
23:0	R/W	0	Fill_Value

34. TV Encoder

34.1 Overview

TV encoder supports SDTV and HDTV output, and the latter up to 1080p.

34.2 TV Encoder Register List

Module Name	Base Address
-------------	--------------



TVE	0x01C0A000
-----	------------

Register Name	Offset	Description
TVE_000_REG	0x0000	TV Encoder Enable Register
TVE_004_REG	0x0004	TV Encoder Configuration Register
TVE_008_REG	0x0008	TV Encoder DAC Register1
TVE_00C_REG	0x000C	TV Encoder Notch and DAC Delay Register
TVE_010_REG	0x0010	TV Encoder chroma frequency Register
TVE_014_REG	0x0014	TV Encoder Front/Back Porch Register
TVE_018_REG	0x0018	TV Encoder HD mode VSYNC Register
TVE_01C_REG	0x001C	TV Encoder Line Number Register
TVE_020_REG	0x0020	TV Encoder Level Register
TVE_024_REG	0x0024	TV Encoder DAC Register2
TVE_030_REG	0x0030	TV Encoder Auto Detection Enable Register
TVE_034_REG	0x0034	TV Encoder Auto Detection Interrupt Status Register
TVE_038_REG	0x0038	TV Encoder Auto Detection Status Register
TVE_03C_REG	0x003C	TV Encoder Auto Detection de-bounce Setting Register
TVE_040_REG	0x0040	TV Encoder CSC signed coefficient1 with 9bit fraction
TVE_044_REG	0x0044	TV Encoder CSC signed coefficient2 with 9bit fraction
TVE_048_REG	0x0048	TV Encoder CSC signed coefficient3 with 9bit fraction
TVE_04C_REG	0x004C	TV Encoder CSC unsigned coefficient4(integer)
TVE_100_REG	0x0100	TV Encoder Color Burst Phase Reset Configuration Register
TVE_104_REG	0x0104	TV Encoder VSYNC Number Register
TVE_108_REG	0x0108	TV Encoder Notch Filter Frequency Register
TVE_10C_REG	0x010C	TV Encoder Cb/Cr Level/Gain Register
TVE_110_REG	0x0110	TV Encoder Tint and Color Burst Phase Register
TVE_114_REG	0x0114	TV Encoder Burst Width Register
TVE_118_REG	0x0118	TV Encoder Cb/Cr Gain Register
TVE_11C_REG	0x011C	TV Encoder Sync and VBI Level Register
TVE_120_REG	0x0120	TV Encoder White Level Register
TVE_124_REG	0x0124	TV Encoder Video Active Line Register
TVE_128_REG	0x0128	TV Encoder Video Chroma BW and CompGain Register
TVE_12C_REG	0x012C	TV Encoder Register
TVE_130_REG	0x0130	TV Encoder Re-sync parameters Register
TVE_134_REG	0x0134	TV Encoder Slave Parameter Register
TVE_138_REG	0x0138	TV Encoder Configuration Register
TVE_13C_REG	0x013C	TV Encoder Configuration Register
TVE_200_REG	0x0200	TV Encoder MacroVision Control Register
TVE_204_REG	0x0204	TV Encoder MacroVision N0~N3 Register
TVE_208_REG	0x0208	TV Encoder MacroVision N4~N7 Register
TVE_20C_REG	0x020C	TV Encoder MacroVision N8~N10 Register
TVE_210_REG	0x0210	TV Encoder MacroVision N11~N12 Register



TVE_214_REG	0x0214	TV Encoder MacroVision N13~N16 Register
TVE_218_REG	0x0218	TV Encoder MacroVision N17~N20 Register
TVE_220_REG	0x0220	TV Encoder MacroVision Plus Register
TVE_220_REG	0x0224	TV Encoder MacroVision AGC and BP plus Register
TVE_230_REG	0x0230	TV Encoder WSS Configuration Register
TVE_234_REG	0x0234	TV Encoder WSS Line Register
TVE_238_REG	0x0238	TV Encoder WSS Line Level Register
TVE_23C_REG	0x023C	TV Encoder WSS Frequency Register
TVE_240_REG	0x0240	TV Encoder WSS Data1 Register
TVE_244_REG	0x0244	TV Encoder WSS Data2 Register

34.3 TV Encoder Register Description

34.4 TV Encoder Enable Register

Offset: 0x000			Register Name: TVE_000_REG
Bit	Read/Write	Default/Hex	Description
31	R/W	0	Clock_Gate_Dis 0: enable 1: disable
30	/	/	Reserved
29:28	/	/	Reserved
27	/	/	/
23:20	/	/	/
19:16	R/W	0	DAC3_Map 0: disable 1: TV0_DOUT0 2: TV0_DOUT1 3: TV0_DOUT2 4: TV0_DOUT3 5: TV1_DOUT0 6: TV1_DOUT1 7: TV1_DOUT2 8: TV1_DOUT3
15:12	R/W	0	DAC2_Map 1: TV0_DOUT0 2: TV0_DOUT1 3: TV0_DOUT2 4: TV0_DOUT3



			5: TV1_DOUT0 6: TV1_DOUT1 7: TV1_DOUT2 8: TV1_DOUT3
11:8	R/W	0	DAC1 map 0: disable 1: TV0_DOUT0 2: TV0_DOUT1 3: TV0_DOUT2 4: TV0_DOUT3 5: TV1_DOUT0 6: TV1_DOUT1 7: TV1_DOUT2 8: TV1_DOUT3
7:4	R/W	0	DAC0 map 0: disable 1: TV0_DOUT0 2: TV0_DOUT1 3: TV0_DOUT2 4: TV0_DOUT3 5: TV1_DOUT0 6: TV1_DOUT1 7: TV1_DOUT2 8: TV1_DOUT3
3:1	/	/	/
0	R/W	0	TVE_En 0: disable 1: enable Note: Video Encoder enable, default disable, write 1 to take it out of the reset state

34.4.1 TV Encoder Configuration Register

Offset: 0x004			Register Name: TVE_004_REG
Bit	Read/Write	Default/Hex	Description
31:29	/	/	/
28:27	R/W	0	DAC_Src_Sel 0: TV Encoder 1: LCD controller, override all other TV encoder setting, the DAC clock can from LCD controller.
26	R/W	0	DAC_Control_Logic_Clock_Sel



			0: Using 27M clock or 74.25M clock depend on CCU setting 1: Using 54M clock or 148.5M clock depend on CCU setting
25	R/W	0	Core_Datapath_Logic_Clock_Sel 0: Using 27M clock or 74.25M clock depend on CCU setting 1: Using 54M clock or 148.5M clock depend on CCU setting
24	R/W	0	Core_Control_Logic_Clock_Sel 0: Using 27M clock or 74.25M clock depend on CCU setting 1: Using 54M clock or 148.5M clock depend on CCU setting
23:21	/	/	/
20	R/W	0	Cb_Cr_Seq_For_422_Mode 0: Cb first 1: Cr first
19	R/W	0	Input_Chroma_Data_Sampling_Rate_Sel 0: 4:4:4 1: 4:2:2
18	R/W	0	YUV_RGB_Output_En 0: CVBS or/and Y/C 1: YUV (or RGB) Note: only apply to SD interlace mode, when in progressive mode, output YPbPr (RGB) only
17	R/W	0	YC_En 0: Y/C is disable 1: Y/C enable Note: S-port Video enable Selection. This bit selects whether the S-port(Y/C) video output is enabled or disabled.
16	R/W	1	CVBS_En 0 - Composite video is disabled, Only Y/C is enable 1 - Composite video is enabled., CVBS and Y/C enable Note:Composite Video enable Selection This bit selects whether the composite video output (CVBS) is enabled or disabled.
15:10	/	/	/
9	R/W	0	Color_Bar_Type 0: 75/7.5/75/7.5 (NTSC), 100/0/75/0(PAL) 1: 100/7.5/100/7.5(NTSC), 100/0/100/0(PAL)
8	R/W	0	Color_Bar_Mode 0: The Video Encoder input is coming from the Display Engineer 1: The Video Encoder input is coming from an internal standard color bar generator. Note: Standard Color bar input selection This bit selects whether the Video Encoder video data input is replaced by an internal standard color bar generator or not.



7:5	/	/	/
4	R/W	0	Mode_1080i_1250Line_Sel 0: 1125 Line mode 1: 1250 Line mode
3:0	R/W	0	TVMode Select 0000: 480i 0001: 576i 0010: 480p 0011: 576p 01xx: Reserved 100x: Reserved 101x: 720p 110x: 1080i 111x: 1080p note: changing this register value will cause some relative register setting to relative value.

34.4.2 TV Encoder DAC Register1

Offset: 0x008			Register Name: TVE_008_REG
Bit	Read/Write	Default/Hex	Description
31:28	/	/	/
27:25	/	/	/
24	R/W	1	DAC_Clock_Invert 0: not invert 1: invert
23:22	/	/	/
21:20	R/W	10	DAC_Ref2_Connect3 00: 0.25 01: 0.3 10: 0.35 11: 0.4 Note: ref2 used to detect luma
19:18	R/W	10	DAC_Ref1_Connect2 00: 0.6 01: 0.65 10: 0.7 11: 0.75 Note: ref1 used to detect chroma
17:16	R/W	11	Internal_DAC_Mode_Sel 0: 150ohms terminal mode



			2: 75 ohms terminal mode 3: 37.5 ohms terminal mode
15:13	R/W	0	DAC3_Src_Sel 000: Composite 001: Luma 010: Chroma 011: Reserved 100: Y/Green 101: U/Pb/Blue 110: V/Pr/Red 111: Reserved
12:10	R/W	0	DAC2_Src_Sel 000: Composite 001: Luma 010: Chroma 011: Reserved 100: Y/Green 101: U/Pb/Blue 110: V/Pr/Red 111: Reserved
9:7	R/W	0	DAC1_Src_Sel 000: Composite 001: Luma 010: Chroma 011: Reserved 100: Y/Green 101: U/Pb/Blue 110: V/Pr/Red 111: Reserved
6:4	R/W	0	DAC0_Src_Sel 000: Composite 001: Luma 010: Chroma 011: Reserved 100: Y/Green 101: U/Pb/Blue 110: V/Pr/Red 111: Reserved
3	R/W	0	Internal_DAC3_En 0:disable 1:enable
2	R/W	0	Internal_DAC2_En 0:disable



			1:enable
1	R/W	0	Internal_DAC1_En 0:disable 1:enable
0	R/W	0	Internal_DAC0_En 0:disable 1:enable

34.4.3 TV Encoder Notch and DAC Delay Register

Offset: 0x00C			Register Name: TVE_00C_REG
Bit	Read/Write	Default/Hex	Description
31	R/W	0	Chroma_Filter_Active_Valid 0: Disable 1: Enable
30:25	/	/	/
24	R/W	0	HD_Mode_CB_Filter_Bypass 0: Bypass Enable 1: Bypass Disable
23	R/W	0-	HD_Mode_CR_Filter_Bypass 0: Bypass Enable 1: Bypass Disable
22	R/W	0	Chroma_Filter_1_444_En 0 : Chroma Filter 1 444 Disable 1: Chroma Filter 1 444 Enable
21	R/W	0	Chroma_HD_Mode_Filter_En 0 : Chroma HD Filter Disable 1: Chroma HD Filter Enable
20	R/W	0	Chroma_Filter_Stage_1_Bypass 0 : Chroma Filter stage 1 Enable 1: Chroma Filter stage 1 bypass
19	R/W	0	Chroma_Filter_Stage_2_Bypass 0 : Chroma Filter stage 2 Enable 1: Chroma Filter stage 2 bypass
18	R/W	0	Chroma_Filter_Stage_3_Bypass 0 : Chroma Filter stage 3 Enable 1: Chroma Filter stage 3 bypass
17	R/W	0	Luma_Filter_Bypass 0: Luma Filter Enable 1: Luma Filter bypass
16	R/W	1	Notch_En



			<p>0: The luma notch filter is bypassed 1: The luma notch filter is operating Luma notch filter on/off selection Note: This bit selects if the luma notch filter is operating or bypassed.</p>
15:12	/	/	/
11:9	R/W	4	<p>DAC3_Delay 000: The DAC3 lags DAC0 by 4 encoder clock cycles 001: The DAC3 lags DAC0 by 3 encoder clock cycles 010: The DAC3 lags DAC0 by 2 encoder clock cycles 011: The DAC3 lags DAC0 by 1 encoder clock cycle 100: There is no delay between the DAC0 and DAC3 signals 001: The DAC0 lags DAC3 by 1 encoder clock cycle 010: The DAC0 lags DAC3 by 2 encoder clock cycles 011: The DAC0 lags DAC3 by 3 encoder clock cycles DAC3 and DAC0 paths relative delays (default=4 stages) Relative delay between DAC3 and DAC0 selection. These bits select the relative delay between the DAC3 samples and DAC0 samples. The delay range from 4 encoder clock cycles of DAC3 lagging the DAC0 samples to 3 encoder clock cycles of DAC3 preceding the DAC0 samples.</p>
8:6	R/W	4	<p>DAC2_Delay 000: The DAC2 lags DAC0 by 4 encoder clock cycles 001: The DAC2 lags DAC0 by 3 encoder clock cycles 010: The DAC2 lags DAC0 by 2 encoder clock cycles 011: The DAC2 lags DAC0 by 1 encoder clock cycle 100: There is no delay between the DAC0 and DAC2 signals 001: The DAC0 lags DAC2 by 1 encoder clock cycle 010: The DAC0 lags DAC2 by 2 encoder clock cycles 011: The DAC0 lags DAC2 by D encoder clock cycles DAC2 and DAC0 paths relative delays (default=4 stages) Relative delay between DAC2 and DAC0 selection. These bits select the relative delay between the DAC2 samples and DAC0 samples. The delay range from 4 encoder clock cycles of DAC2 lagging the DAC0 samples to 3 encoder clock cycles of DAC2 preceding the DAC0 samples.</p>
5:3	R/W	4	<p>DAC1_Delay 000: The DAC1 lags DAC0 by 4 encoder clock cycles 001: The DAC1 lags DAC0 by 3 encoder clock cycles 010: The DAC1 lags DAC0 by 2 encoder clock cycles DAC1 and DAC0 paths relative delays (default=4 stages) Relative delay between DAC1 and DAC0 selection. These bits select the relative delay between the DAC1 samples and DAC0 samples. The delay range from 4 encoder clock cycles of DAC1</p>



			<p>lagging the DAC0 samples to 3 encoder clock cycles of DAC1 preceding the DAC0 samples.</p> <p>011: The DAC1 lags DAC0 by 1 encoder clock cycle 100: There is no delay between the DAC1 and DAC0 signals 001: The DAC0 lags DAC1 by 1 encoder clock cycle 010: The DAC0 lags DAC1 by 2 encoder clock cycles 011: The DAC0 lags DAC1 by D encoder clock cycles</p>
2:0	R/W	4	<p>YC_Delay luma and chroma paths relative delays (default=4 stages) Relative delay between U/V and Y selection. These bits select the relative delay between the U and V samples and Y samples. The delay range from 4 encoder clock cycles of Y lagging the U and V samples to 3 encoder clock cycles of Y preceding the U and V samples.</p> <p>000: The Y lags C by 4 encoder clock cycles 001: The Y lags C by 3 encoder clock cycles 010: The Y lags C by 2 encoder clock cycles 011: The Y lags C by 1 encoder clock cycle 100: There is no delay between the Y and C signals 101: The C lags Y by 1 encoder clock cycle 110: The C lags Y by 2 encoder clock cycles 111: The C lags Y by 3 encoder clock cycles</p>

34.4.4 TV Encoder chroma frequency Register

Offset: 0x010			Register Name: TVE_010_REG
Bit	Read/Write	Default/Hex	Description
31:0	R/W	21f07c1f	<p>Chroma_Freq Specify the ratio between the color burst frequency. 32 bit unsigned fraction. Default value is h21f07c1f, which is compatible with NTSC specs.</p> <p>3.5795455MHz (X'21F07C1F'): NTSC-M, NTSC-J 4.43361875 MHz(X'2A098ACB'): PAL-B, D, G, H,I, N 3.582056 MHz (X'21F69446'): PAL-N(Argentina) 3.579611 MHz (X'21E6EFE3'): PAL-M</p>

34.4.5 TV Encoder Front/Back Porch Register

Offset: 0x014			Register Name: TVE_014_REG
Bit	Read/Write	Default	Description



	Write	/Hex	
31:25	/	/	/
24:16	R/W	76	Back_Porch Specify the width of the back porch in encoder clock cycles. Min value is (burst_width+breeze_way+17). 8 bit unsigned integer. Default value is 118 720p mode, is 260 1080i/p mode, is 192
15:12	/	/	/
11:0	R/W	20	Front_Porch must be even specify the width of the front porch in encoder clock cycles. 6 bit unsigned even integer. Allowed range is 10 to 62. Default value is 32 in 1080i mode is 44

34.4.6 TV Encoder HD mode VSYNC Register

Offset: 0x018			Register Name: TVE_018_REG
Bit	Read/Write	Default/Hex	Description
31:28	/	/	/
27:16	R/W	0	Broad_Plus_Cycle_Number_In_HD_Mode_VSYNC
15:12	/	/	/
11:0	R/W	16	Front_Porch_Like_In_HD_Mode_VSYNC

34.4.7 TV Encoder Line Number Register

Offset: 0x01C			Register Name: TVE_01C_REG
Bit	Read/Write	Default/Hex	Description
31:24	/	/	/
23:16	R/W	16	First_Video_Line Specify the index of the first line in a field/frame to have active video. 8 bit unsigned integer. For interlaced video: When VSync5=B'0', FirstVideoLine is restricted to be greater than 7. When VSync5=B'1', FirstVideoLine is restricted to be greater than 9. Default value is 21.
15:11	/	/	/
10:0	R/W	20D	Num_Lines Specify the total number of lines in a video frame. 11 bit unsigned integer. Allowed range is 0 to 2048. Default value is 525.



			<p>For interlaced video: When NTSC, and FirstVideoLine is greater than 20, then NumLines is restricted to be greater than $2*(FirstVideoLine+18)$. When NTSC, and FirstVideoLine is not greater than 20, then NumLines is restricted to be greater than 77. When PAL, and FirstVideoLine is greater than 22, then NumLines is restricted to be greater than $2*(FirstVideoLine+18)$. When PAL, and FirstVideoLine is not greater than 22, then NumLines is restricted to be greater than 81.</p> <p>If NumLines is even, then it is restricted to be divisible by 4. If NumLines is odd, then it is restricted to be divisible by 4 with a remainder of 1.</p>
--	--	--	--

34.4.8 TV Encoder Level Register

Offset: 0x020			Register Name: TVE_020_REG
Bit	Read/Write	Default/Hex	Description
31:26	/	/	/
25:16	R/W	0F0	Blank_Level Specify the blank level setting for active lines. 10 bit unsigned integer. Allowed range 0 to 1023. Default value is hexF0(dec240).
15:10	/	/	/
9:0	R/W	11a	Black_Level Specify the black level setting. 10 bit unsigned integer. Allowed range is 240 to 1023. Default value is 282

34.4.9 TV Encoder DAC Register2

Offset: 0x024			Register Name: TVE_024_REG
Bit	Read/Write	Default/Hex	Description
31:29	/	/	/
28:24	R/W	0000	Internal_DAC3_Amplitude_Control 00000:smallest 11111:biggest
23:21	/	/	/
20:16	R/W	0000	Internal_DAC2_Amplitude_Control 00000:smallest 11111:biggest
15:13	/	/	/
12:8	R/W	0000	Internal_DAC1_Amplitude_Control 00000:smallest



			11111:biggest
7:5	/	/	/
4:0	R/W	0000	Internal_DAC0_Amplitude_Control 00000:smallest 11111:biggest

34.4.10 TV Encoder Auto Detection Enable Register

Offset: 0x030			Register Name: TVE_030_REG
Bit	Read/Write	Default/Hex	Description
31:20	/	/	/
19	R/W	0	DAC3_Auto_Detect_Interrupt_En
18	R/W	0	DAC2_Auto_Detect_Interrupt_En
17	R/W	0	DAC1_Auto_Detect_Interrupt_En
16	R/W	0	DAC0_Auto_Detect_Interrupt_En
15:4	/	/	/
3	R/W	0	DAC3_Auto_Detect_Enable
2	R/W	0	DAC2_Auto_Detect_Enable
1	R/W	0	DAC1_Auto_Detect_Enable
0	R/W	0	DAC0_Auto_Detect_Enable

34.4.11 TV Encoder Auto Detection Interrupt Status Register

Offset: 0x034			Register Name: TVE_034_REG
Bit	Read/Write	Default/Hex	Description
31:4	/	/	/
3	R/W	0	DAC3_Auto_Detect_Interrupt_Active_Flag write 1 to inactive DAC3 auto detection interrupt
2	R/W	0	DAC2_Auto_Detect_Interrupt_Active_Flag write 1 to inactive DAC2auto detection interrupt
1	R/W	0	DAC1_Auto_Detect_Interrupt_Active_Flag write 1 to inactive DAC1 auto detection interrupt
0	R/W	0	DAC0_Auto_Detect_Interrupt_Active_Flag write 1 to inactive DAC0 auto detection interrupt

**34.4.12 TV Encoder Auto Detection Status Register**

Offset: 0x038			Register Name: TVE_038_REG
Bit	Read/Write	Default/Hex	Description
31:26	/	/	/
25:24	R/W	0	DAC3_Status 00: Unconnected 01: Connected 11: Short to ground 10: Reserved
23:18	/	/	/
17:16	R/W	0	DAC2_Status 00: Unconnected 01: Connected 11: Short to ground 10: Reserved
15:10	/	/	/
9:8	R/W	0	DAC1_Status 00: Unconnected 01: Connected 11: Short to ground 10: Reserved
7:2	/	/	/
1:0	R/W	0	DAC0_Status 00: Unconnected 01: Connected 11: Short to ground 10: Reserved

34.4.13 TV Encoder Notch Filter Frequency Register

Offset: 0x108			Register Name: TVE_108_REG
Bit	Read/Write	Default/Hex	Description
31:3	/	/	/
2:0	R/W	2	Notch_Freq Luma notch filter center frequency selection These bits select the luma notch filter (which is a band-reject filter) center frequency. In two of the selections, the filter width affects also the selection of the center frequency.



			000: 1.1875 001: 1.1406 010: 1.0938 when notch_wide value is B'1' (this selection is proper for CCIR-NTSC), or 1.0000 when notch_wide value is B'0' 011: 0.9922. This selection is proper for NTSC with square pixels 100: 0.9531. This selection is proper for PAL with square pixel 101: 0.8359 when notch_wide value is B'1' (this selection is proper for CCIR-PAL), or 0.7734 when notch_wide value is B'0' 110: 0.7813 111: 0.7188 Default value is B'010'
--	--	--	--

34.4.14 TV Encoder Cb/Cr Level/Gain Register

Offset: 0x10C			Register Name: TVE_10C_REG
Bit	Read/Write	Default/Hex	Description
31:16	/	/	/
15:8	R/W	0	Cr_Burst_Level Specify the amplitude of the Cr burst. 8 bit 2's complement integer. Allowed range is (-127) to 127. Default value is 0.
7:0	R/W	3C	Cb_Burst_Level Specify the amplitude of the Cb burst. 8 bit 2's complement integer. Allowed range is (-127) to 127. Default value is 60

34.4.15 TV Encoder Tint and Color Burst Phase Register

Offset: 0x110			Register Name: TVE_110_REG
Bit	Read/Write	Default/Hex	Description
31:24	/	/	/
23:16	R/W	0	Tint Specify the tint adjustment of the chroma signal for CVBS and Y/C outputs. The adjustment is effected by setting the sub-carrier phase to the value of this parameter. 8.8 bit unsigned fraction. Units are cycles of the color burst frequency. Default value is 0.
15:8	/	/	/
7:0	R/W	0	Chroma_Phase Specify the color burst initial phase (ChromaPhase). 8.8 bit unsigned fraction. Units are cycles of the color burst frequency. Default value is X'00'. The color burst is set to this phase at the first HSYNC and then reset to the same value at further HSYNCS as specified by the



			CPhaseRset bits of the EncConfig5 parameter (see above)
--	--	--	---

34.4.16 TV Encoder Burst Width Register

Offset: 0x114			Register Name: TVE_114_REG
Bit	Read/Write	Default/Hex	Description
31:24	R/W	58	Back_Porch Breezeway like in HD mode VSync 720p mode, is 220 2080i/p mode is 88(default)
23	/	/	/
22:16	R/W	16	Breezeway Must be even Specify the width of the breezeway in encoder clock cycles. 5 bit unsigned integer. Allowed range is 0 to 31. Default value is 22 In 1080i mode, is 44 In 1080p mode, is 44 In 720p mode, is 40
15	/	/	/
14:8	R/W	44	Burst_Width Specify the width of the color frequency burst in encoder clock cycles. 7 bit unsigned integer. Allowed range is 0 to 127. Default value is 68. In hd mode, ignored
7:0	R/W	7E	HSync_Width Specify the width of the horizontal sync pulse in encoder clock cycles. Min value is 16. Max value is (FrontPorch + ActiveLine - BackPorch). Default value is 126. The sum of HSyncSize and BackPorch is restricted to be divisible by 4. In 720p mode, is 40 In 1080i/p mode, is 44

34.4.17 TV Encoder Cb/Cr Gain Register

Offset: 0x118			Register Name: TVE_118_REG
Bit	Read/Write	Default/Hex	Description
31:16	/	/	/
15:8	R/W	89	Cr_Gain Specify the Cr color gain. 8 bit unsigned fraction. Default value is 139



7:0	R/W	89	Cb_Gain Specify the Cb color gain. 8 bit unsigned fraction. Default value is 139.
-----	-----	----	---

34.4.18 TV Encoder Sync and VBI Level Register

Offset: 0x11C			Register Name: TVE_11C_REG
Bit	Read/Write	Default/Hex	Description
31:26	/	/	/
25:16	R/W	48	Sync_Level Specify the sync pulse level setting. 8 bit unsigned integer. Allowed range is 0 to ABlankLevel-1 or VBlankLevel-1 (whichever is smaller). Default value is 72.
15:10	/	/	/
9:0	R/W	128	VBlank_Level Specify the blank level setting for non active lines. 10 bit unsigned integer. Allow range 0 to 1023. Default value is hex128(dec296)

34.4.19 TV Encoder White Level Register

Offset: 0x120			Register Name: TVE_120_REG
Bit	Read/Write	Default/Hex	Description
31::26	/	/	/
25:16	R/W	1e8	HD_Sync_Breezeway_Level Specify the breezeway level setting. 10 bit unsigned integer. Allowed range is 0 to 1023. Default value is 1e8.
15:10	/	/	/
9:0	R/W	320	White_Level Specify the white level setting. 10 bit unsigned integer. Allowed range is black_level+1 or vbi_blank_level +1 (whichever is greater) to 1023. Default value is 800.

34.4.20 TV Encoder Video Active Line Register

Offset: 0x124			Register Name: TVE_124_REG
Bit	Read/Write	Default/Hex	Description
31:12	/	/	/
11:0	R/W	5A0	Active_Line



			Specify the width of the video line in encoder clock cycles. 12 bit unsigned multiple of 4 integer. Allowed range is 0 to 4092 Default value is 1440.
--	--	--	---

34.4.21 TV Encoder Video Chroma BW and CompGain

Register

Offset: 0x128			Register Name: TVE_128_REG
Bit	Read/Write	Default/Hex	Description
31:18	/	/	/
17:16	R/W	00	Chroma_BW Chroma filter bandwidth selection This bit specifies whether the bandwidth of the chroma filter is: 0- Narrow width, 0.7MHz 1- Wide width 1.2MHz. 2- Extra width 1.8MHz 3- Ultra width 2.5MHz Default is 0.6MHz(value 0)
15:2	/	/	/
1:0	R/W	0	Comp_Ch_Gain Chroma gain selection for the composite video signal. These bits specify the gain of the chroma signal for composing with the luma signal to generate the composite video signal: 100% (B'00'), 75% (B'11'), 50% (B'10') or 25% (B'01').

34.4.22 TV Encoder Register

Offset: 0x12C			Register Name: TVE_12C_REG
Bit	Read/Write	Default/Hex	Description
31:9	/	/	/
8	R/W	0	Notch_Width Luma notch filter width selection This bit selects the luma notch filter (which is a band-reject filter) width. 0: Narrow 1: Wide
7:1	/	/	/
0	R/W	0	Comp_YUV_En This bit selects if the components video output are the RGB



			components or the YUV components. 0: The three component outputs are the RGB components. 1: The three component outputs are the YUV components, (i.e. the color conversion unit is by-passed)
--	--	--	---

34.4.23 TV Encoder Re-sync parameters Register

Offset: 0x130			Register Name: TVE_130_REG
Bit	Read/Write	Default/Hex	Description
31	R/W	0	Re_Sync_Field
30	R/W	0	Re_Sync_Dis 0 – Re-Sync Enable 1 – Re-Sync Disable
29:27	/	/	/
26:16	R/W	0	Re_Sync_Line_Num
15:11	/	/	/
10:0	R/W	0	Re_Sync_Pixel_Num

34.4.24 TV Encoder Slave Parameter Register

Offset: 0x134			Register Name: TVE_134_REG
Bit	Read/Write	Default/Hex	Description
31:9	/	/	/
8	R/W	0	Slave_Thresh Horizontal line adjustment threshold selection This bit selects whether the number of lines after which the Video Encoder starts the horizontal line length adjustment is slave mode is 0 or 30. 0 – Number of lines is 0 1 – Number of lines is 30 Default values is 0
7:1	/	/	/
0	R/W	0	Slave_Mode Slave mode selection This bit selects whether the Video Encoder is sync slave, partial slave or sync master. Should be set to B'0'. 0: The Video Encoder is not a full sync slave (i.e. it is a partial sync slave or a sync master) 1: Reserved



34.4.25 TV Encoder Configuration Register

Offset: 0x138			Register Name: TVE_138_REG
Bit	Read/Write	Default/Hex	Description
31:9	/	/	/
8	R/W	0	Invert_Top Field parity input signal (top_field) polarity selection. This bit selects whether the top field is indicated by a high level of the field parity signal or by the low level. The bit is applicable both when the Video Encoder is the sync master and when the Video Encoder is the sync slave 0: Top field is indicated by low level 1: Top field is indicated by high level
7:1	/	/	/
0	R/W	0	UV_Order This bit selects if the sample order at the chroma input to the Video Encoder is Cb first (i.e. Cb 0 Cr 0 Cb 1 Cr 1) or Cr first (i.e. Cr 0 Cb 0 Cr 1 Cb 1). 0: The chroma sample input order is Cb first 1: The chroma sample input order is Cr first

34.4.26 TV Encoder Configuration Register

Offset: 0x13C			Register Name: TVE_13C_REG
Bit	Read/Write	Default/Hex	Description
31:27	/	/	/
26:24	R/W	0	RGB_Sync R, G and B signals sync embedding selection. These bits specify whether the sync signal is added to each of the R, G and B components (B'1') or not (B'0'). Bit [26] specify if the R signal have embedded syncs, bit [25] specify if the G signal have embedded syncs and bit [24] specify if the B signal have embedded syncs. When comp_yuv is equal to B'1', these bits are N.A. and should be set to B'000'. When the value is different from B'000', RGBSetup should be set to B'1'
23:17	/	/	/
16	R/W	0	RGB_Setup "Set-up" enable for RGB outputs. This bit specifies if the "set-up" implied value (black_level – blank_level) specified for the CVBS signal is used also for the RGB



			signals. 0: The “set-up” is not used, or N.A. i.e. comp_yuv is equal to B‘1’. 1: The implied “set-up” is used for the RGB signals
15:1	/	/	/
0	R/W	0	Bypass_YClamp Y input clamping selection This bit selects whether the Video Encoder Y input is clamped to 64 to 940 or not. When not clamped the expected range is 0 to 1023. The U and V inputs are always clamped to the range 64 to 960. 0: The Video Encoder Y input is clamped 1: The Video Encoder Y input is not clamped

34.4.27 TV Encoder MacroVision Control Register

Offset: 0x200			Register Name: TVE_200_REG
Bit	Read/Write	Default/Hex	Description
31:9	/	/	/
8	R/W	0	Sys625 Macrovision timing parameters selection. This bit selects whether the timing parameters used by the Macrovision function are like those specified for PAL or those specified for NTSC 0: Macrovision timing parameters are like those of NTSC 1: Macrovision timing parameters are like those of PAL
7:1	/	/	/
0	R/W	1	MV disable

34.4.28 TV Encoder MacroVision N0~N3 Register

Offset: 0x204			Register Name: TVE_204_REG
Bit	Read/Write	Default/Hex	Description
31:30	/	/	/
29:24	R/W	0	MacroVision N3
23	/	/	/
22:16	R/W	0	MacroVision N2
15:14	/	/	/
13:8	R/W	0	MacroVision N1
7:0	R/W	0	MacroVision N0

**34.4.29 TV Encoder MacroVision N4~N7 Register**

Offset: 0x208			Register Name: TVE_208_REG
Bit	Read/ Write	Default /Hex	Description
31:26	/	/	/
25:24	R/W	0	MacroVision N7
23:19	/	/	/
18:16	R/W	0	MacroVision N6
15:11	/	/	/
10:8	R/W	0	MacroVision N5
7	/	/	/
6:0	R/W	0	MacroVision N4

34.4.30 TV Encoder MacroVision N8~N10 Register

Offset: 0x20C			Register Name: TVE_20C_REG
Bit	Read/ Write	Default /Hex	Description
31:22	/	/	/
21:16	R/W	0	MacroVision N10
15:14	/	/	/
13:8	R/W	0	MacroVision N9
7:6	/	/	/
5:0	R/W	0	MacroVision N8

34.4.31 TV Encoder MacroVision N11~N12 Register

Offset: 0x210			Register Name: TVE_210_REG
Bit	Read/ Write	Default /Hex	Description
31	/	/	/
30:16	R/W	0	MacroVision N12
15	/	/	/
14:0	R/W	0	MacroVision N11

34.4.32 TV Encoder MacroVision N13~N16 Register

Offset: 0x214			Register Name: TVE_214_REG
---------------	--	--	----------------------------



Bit	Read/ Write	Default /Hex	Description
31:25	/	/	/
24	R/W	0	MacroVision N16
23:16	R/W	0	MacroVision N15
15:8	R/W	0	MacroVision N14
7:0	R/W	0	MacroVision N13

34.4.33 TV Encoder MacroVision N17~N20 Register

Offset: 0x218			Register Name: TVE_218_REG
Bit	Read/ Write	Default /Hex	Description
31:27	/	/	/
26:24	R/W	0	MacroVision N7
23:20	/	/	/
19:16	R/W	0	MacroVision N6
15:12	/	/	/
11:8	R/W	0	MacroVision N5
7:4	/	/	/
3:0	R/W	0	MacroVision N4



35. Mixer Processor (MP)

35.1. Overview

MP is a 2D graphics engine of high performance, and 2D image can be widely customized due to its high flexibility in configuration.

- Support Color format
 - ARGB 8888/4444/1555
 - RGB565
 - MONO 1/2/4/8 bpp
 - Palette 1/2/4/8 bpp (input only)
 - 22/420
- Any format convert function
- Buffer block size
 - Up to 8192*8192 pixels
- Support Memory scan order option
- Support Clipping
- ROP2
 - Line / Rectangle / Point
 - Block fill
- ROP3
 - BitBLT
 - PatBLT
 - StretchBLT
- ROP4
 - MaskBLT
- Rotation 90/180/270 degree
- Support Mirror
- Alpha blending
 - Plane & Pixel alpha support
 - Output alpha configurable support
- Support Color key
- Scaling
 - 4*4 taps
 - 32 phase
- Support Color space convert

35.2. Block Diagram

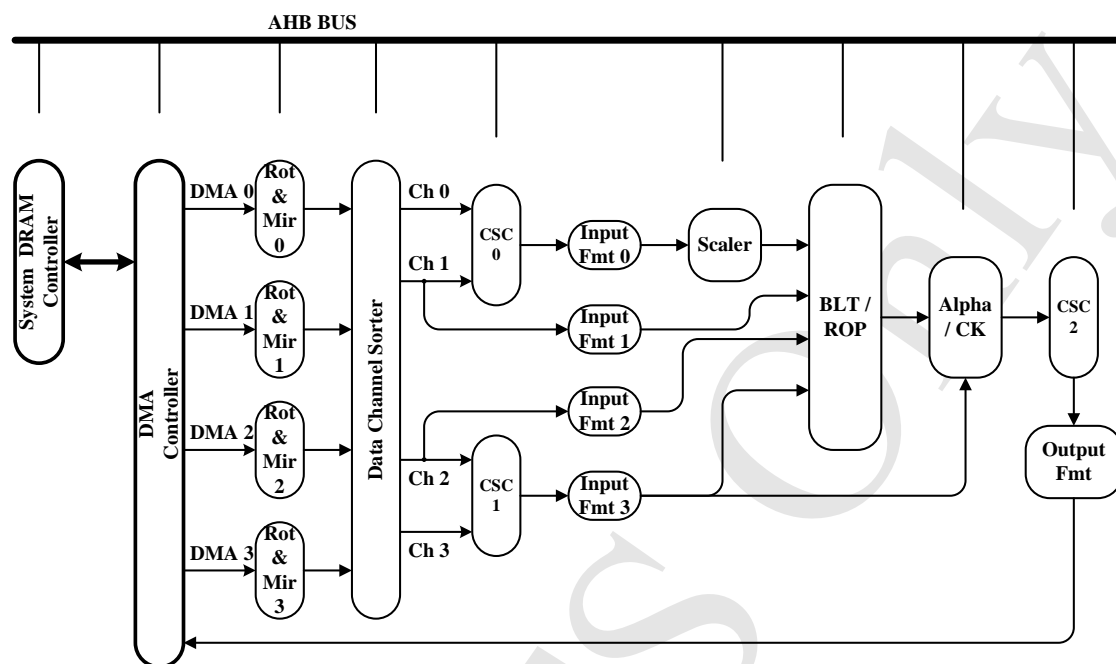


Figure35-1 MP General Diagram

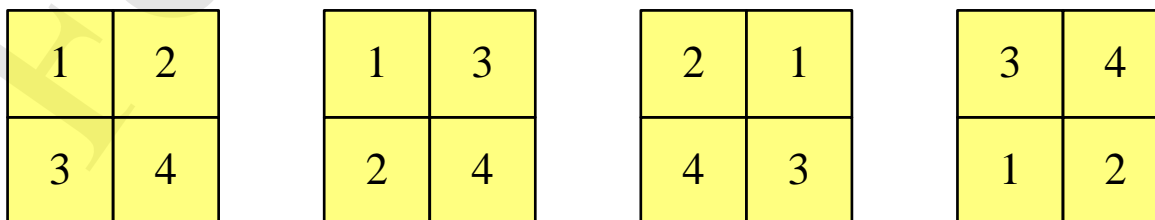
35.3. MP Description

35.3.1.Data Mode

There are 4 input data channel and 3 output data channel in MP, the data mixing application will be realized through the input and output data mode of configuration.

35.3.2.Rotation and mirroring control

Each input DMA channel can be realized rotation and mirror operation function, total 8 operation according 8 control code, refer to the following diagram.





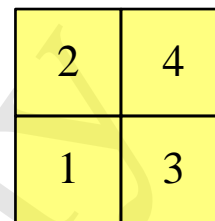
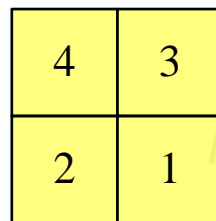
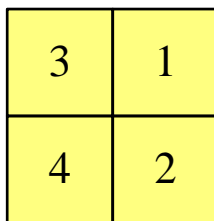
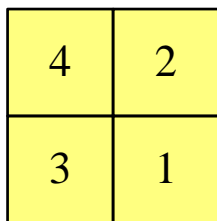
Control code:

Normal

A

X

Y



Control code:

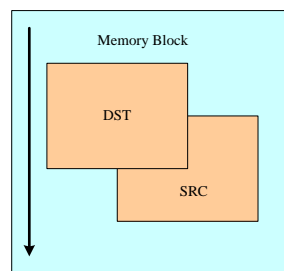
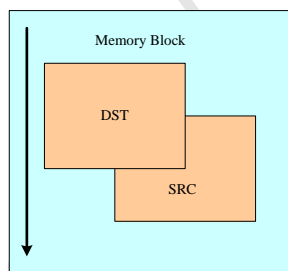
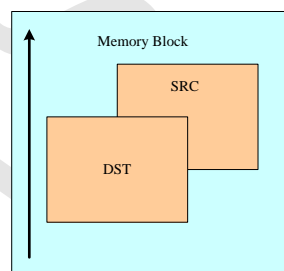
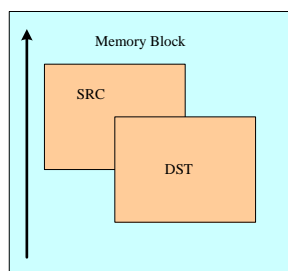
AXY

AY

XY

AX

35.3.3.Memory scan order



Source copy to destination
Memory scan order illustration

35.3.4.Color space converter

Conversion algorithm formula:

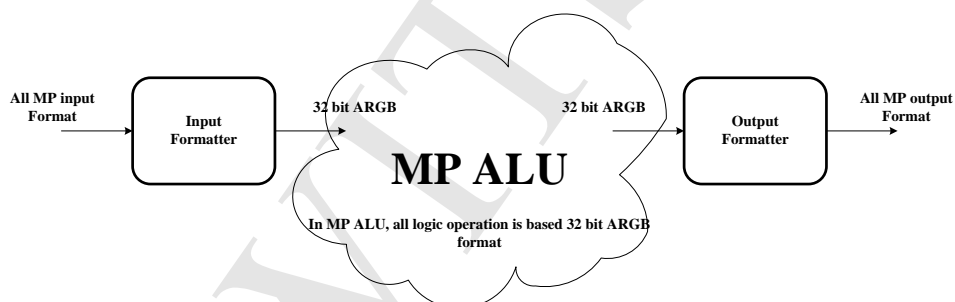
$R =$ $(R \text{ Y component coefficient} * Y) +$ $(R \text{ U component coefficient} * U) +$ $(R \text{ V component coefficient} * V) +$	$Y =$ $(Y \text{ R component coefficient} * R) +$ $(Y \text{ G component coefficient} * G) +$ $(Y \text{ B component coefficient} * B) +$
--	--



<p>R constant</p> <p>G =</p> <p>(G Y component coefficient * Y) +</p> <p>(G U component coefficient * U) +</p> <p>(G V component coefficient * V) +</p> <p>G constant</p> <p>B =</p> <p>(B Y component coefficient * Y) +</p> <p>(B U component coefficient * U) +</p> <p>(B V component coefficient * V) +</p> <p>B constant</p>	<p>Y constant</p> <p>U =</p> <p>(U R component coefficient * R) +</p> <p>(U G component coefficient * G) +</p> <p>(U B component coefficient * B) +</p> <p>U constant</p> <p>V =</p> <p>(V R component coefficient * R) +</p> <p>(V G component coefficient * G) +</p> <p>(V B component coefficient * B) +</p> <p>V constant</p>
---	---

35.3.5.Formatter

In MP ALU, include Color space converter, ROP module, Alpha/Color key module, scaler etc, all logic operation is based 32 bits ARGB format.



Input formatter rule (The high significant bits fill rule)

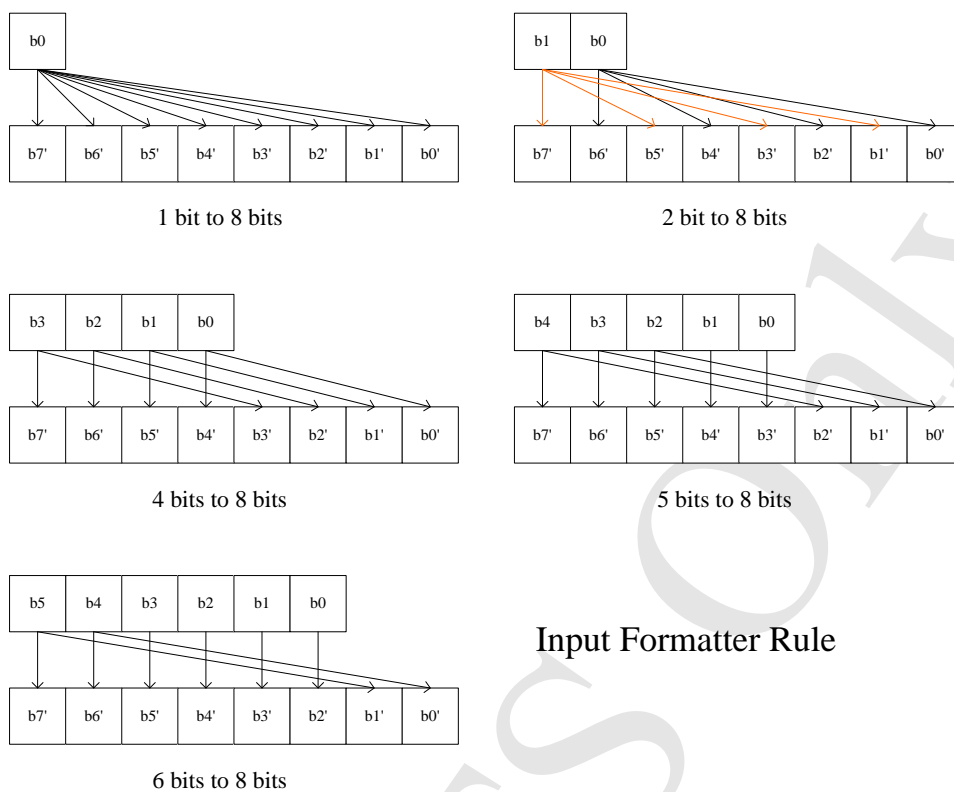
ARGB4444 to ARGB8888

ARGB1555 to ARGB8888

RGB565 to ARGB8888

MONO1/2/4/8bpp to ARGB8888

---MONO to ARGB mode, each A/R/G/B channel is same.



Input Formatter Rule

Output formatter rule

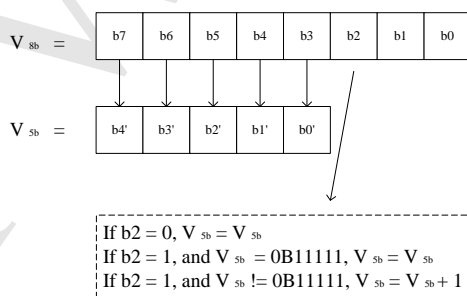
ARGB8888 to ARGB4444

ARGB8888 to ARGB1555

ARGB8888 to RGB565

(The low significant bits cut rule)

Above the transform mode, the low significant bits will be cut off, if the round function is enabled, reference the following illustration.



Output Formatter

Round Rule illustration

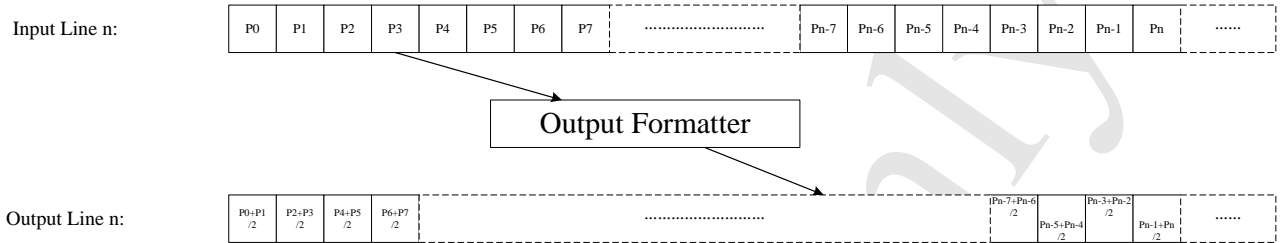
ARGB8888 to MONO1/2/4/8bpp

In this mode, the color space converter 2 should be enabled, the output channel 0 (Y component) data will be write back. Reference the “Output data mode and output data ports mapping” of “Output control register”.

YUV444 to YUV422



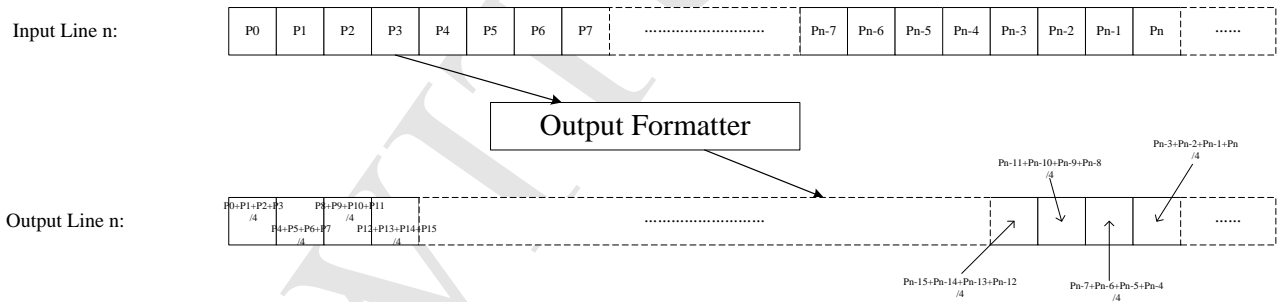
- Enable CSC2
- Ignore Y component
- UV component use linear interpolation in x direction
- UV component ignore y direction



The UV component output formatter rule of YUV444 to YUV422

YUV444 to YUV411

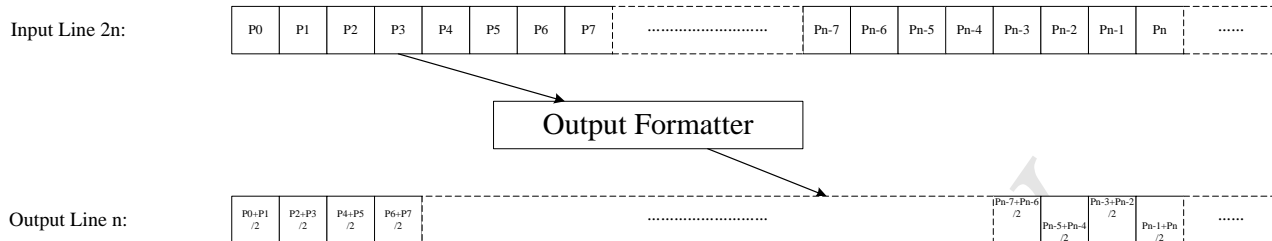
- Enable CSC2
- Ignore Y component
- UV component use linear interpolation in x direction
- UV component ignore y direction



The UV component output formatter rule of YUV444 to YUV411

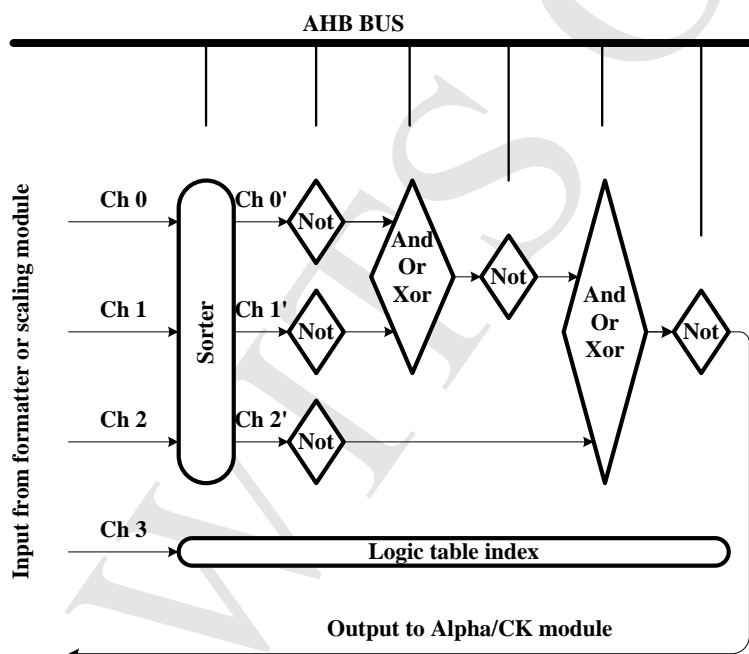
YUV444 to YUV420

- Enable CSC2
- Ignore Y component
- UV component use linear interpolation in x direction
- UV component ignore y direction
- The input UV component odd line will be thrown away



The UV component output formatter rule of YUV444 to YUV420

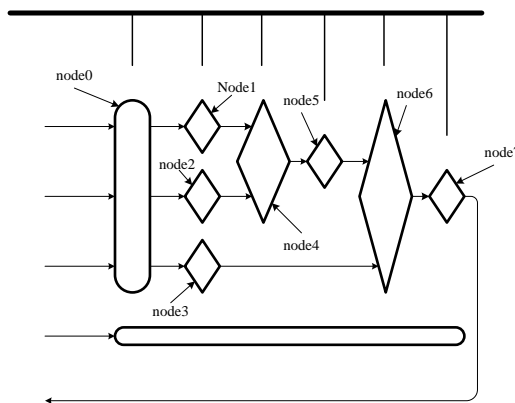
35.3.6.ROP



ROP Diagram

ROP node

There are many nodes in ROP module, each node can realize some independent function according control table register . Reference the ROP diagram, following is the respective node diagram.



ROP node define

35.3.7. Alpha / Color key

Alpha blending

Alpha blending is a convex combination of two colors allowing for transparency effects in computer graphics. The value of alpha in the color code ranges from 0.0 to 1.0, where 0.0 represents a fully transparent color, and 1.0 represents a fully opaque color.

In the MP:

If setting the alpha register value (ARV) = 0B xxxxxxxx (8 bit value)

In the alpha / color key ALU, the ARV will be transform another value for actual calculation. The value represent with ARV'.

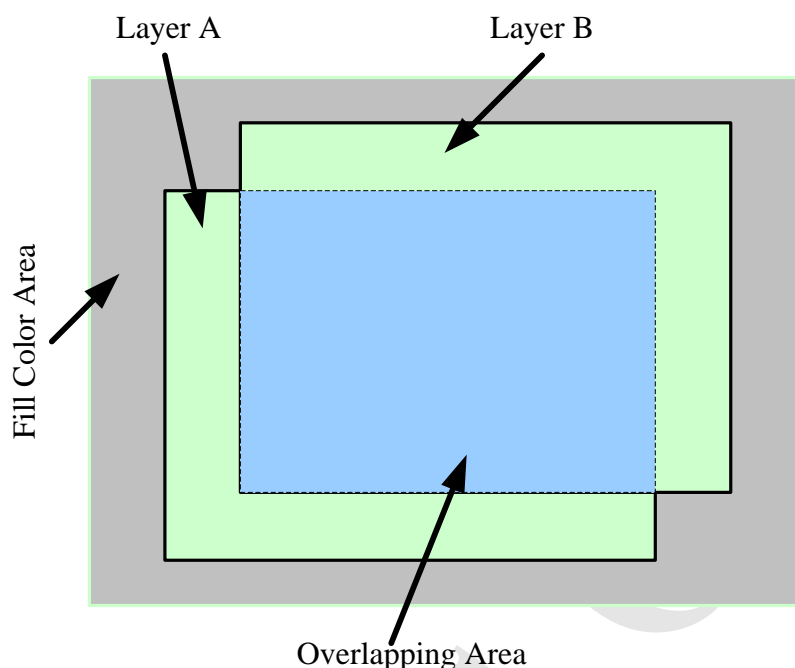
If ARV = 0

Then ARV' = 0

If ARV != 0

Then ARV' = ARV + 1

Then the alpha value (A) = ARV'/256



In the above diagram, layer A and layer B are from ROP module or input DMA channel 3.

The priority of layer A is higher than layer B

The alpha value of layer A : A_a

The alpha value of layer B: A_b

The RGB value of layer A : R_a, G_a, B_a

The RGB value of layer B : R_b, G_b, B_b

The alpha value of layer A fill color : A_{fa}

The alpha value of layer B fill color: A_{fb}

The RGB value of layerA fill color : R_{fa}, G_{fa}, B_{fa}

The RGB value of layerB fill color : R_{fb}, G_{fb}, B_{fb}

In the only layer A area:

$$R = R_a * A_a + R_{fb} * (A_{fb}) * (1 - A_a)$$

$$G = G_a * A_a + G_{fb} * (A_{fb}) * (1 - A_a)$$

$$B = B_a * A_a + B_{fb} * (A_{fb}) * (1 - A_a)$$

In the only layer B area:

$$R = R_b * A_b + R_{fa} * (A_{fa}) * (1 - A_b)$$

$$G = G_b * A_b + G_{fa} * (A_{fa}) * (1 - A_b)$$

$$B = B_b * A_b + B_{fa} * (A_{fa}) * (1 - A_b)$$

In the overlapping area:

$$R = R_a * A_a + R_b * (A_b) * (1-A_a)$$

$$G = G_a * A_a + G_b * (A_b) * (1-A_a)$$

$$B = B_a * A_a + B_b * (A_b) * (1-A_a)$$

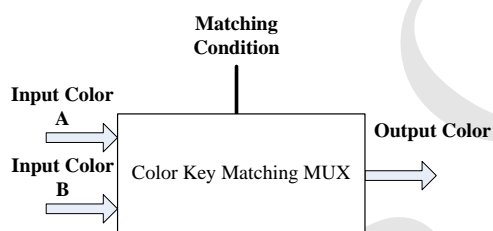
In the fill color area:

$$R = R_{fa} * A_{fa} + R_{fb} * (A_{fb}) * (1-A_{fa})$$

$$G = G_{fa} * A_{fa} + G_{fb} * (A_{fb}) * (1-A_{fa})$$

$$B = B_{fa} * A_{fa} + B_{fb} * (A_{fb}) * (1-A_{fa})$$

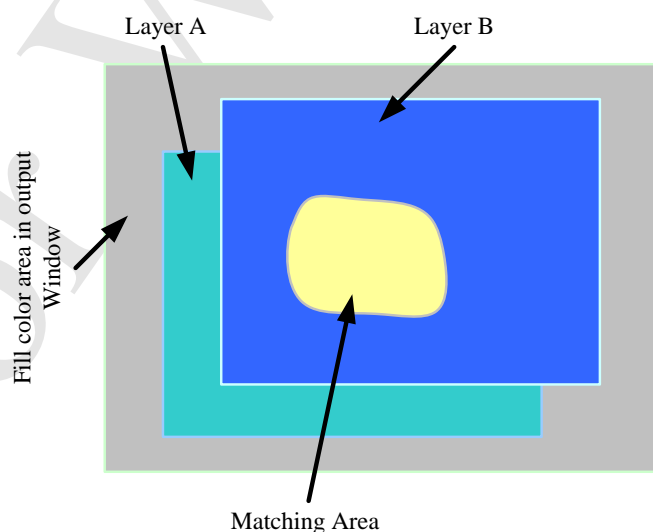
Color key



Color Key Theory Block

In MP, the process of color key will be done in Alpha Blender/Color key module. 2 channels data will be processed at the same coordinate of screen. If the color key function is enabled, the higher priority channel will match another channel.

See the following Diagram



The priority of layer A is higher than layer B



The alpha value of layer A : A_a

The alpha value of layer B: A_b

The RGB value of layer A : R_a, G_a, B_a

The RGB value of layer B : R_b, G_b, B_b

The alpha value of layer A fill color : A_fa

The alpha value of layer B fill color: A_fb

The RGB value of layerA fill color : R_fa, G_fa, B_fa

The RGB value of layerB fill color : R_fb, G_fb, B_fb

In none matching area:

As same as normal alpha blending process

In matching area:

Layer A match layer B because of the higher priority of layer A.

$$R = R_a * A_a + R_{fb} * (A_{fb}) * (1 - A_a)$$

$$G = G_a * A_a + G_{fb} * (A_{fb}) * (1 - A_a)$$

$$B = B_a * A_a + B_{fb} * (A_{fb}) * (1 - A_a)$$

35.3.8. Scaling

UV channel pre-scaling

If the input data format is YUV422 or YUV411 or YUV420, the UV component will be pre-scaling, the output data will be YUV444 by the pre-scaling transition. So the color space convert 0 and color space convert 1 always receive the YUV444 format data.

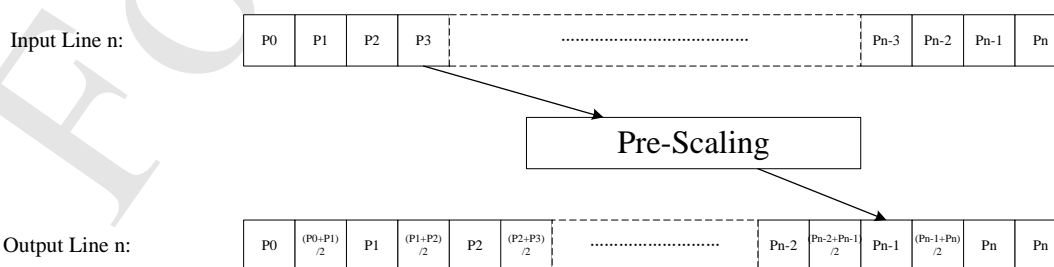
Pre-scaling rule: (The following P0.....Pn means the U or V component of pixels)

YUV422

----Ignore Y component

----UV component use linear interpolation in x direction

----UV component ignore y direction

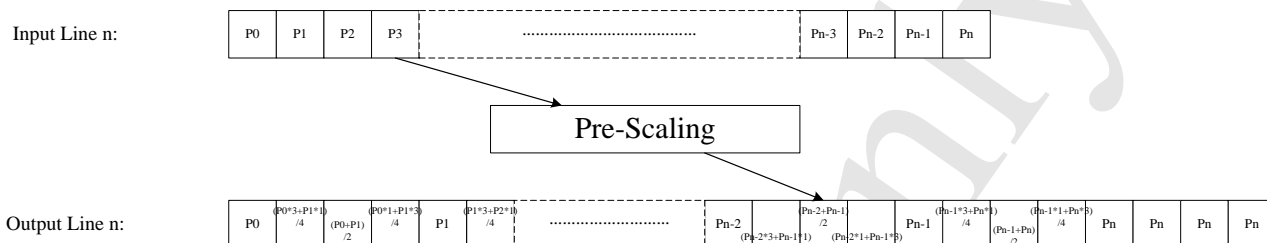


The UV component pre-scaling rule of YUV422 to YUV444



YUV 411

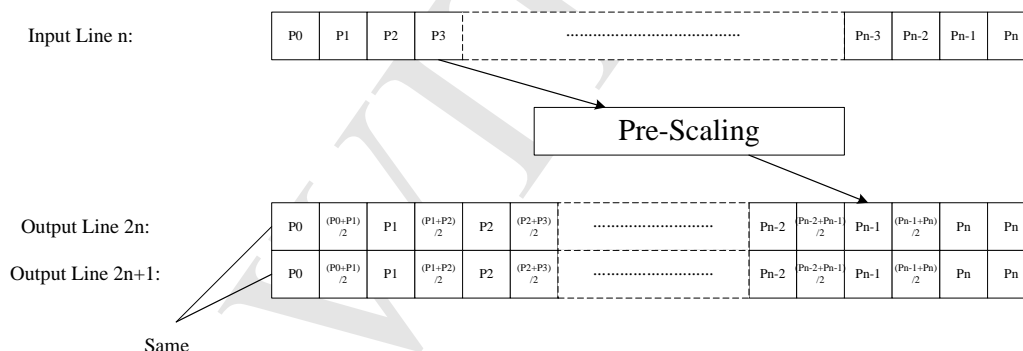
- Ignore Y component
- UV component use linear interpolation in x direction
- UV component ignore y direction



The UV component pre-scaling rule of YUV411 to YUV444

YUV420

- Ignore Y component
- UV component use linear interpolation in x direction
- UV component ignore y direction
- The output UV component odd line always copy last even line



The UV component pre-scaling rule of YUV420 to YUV444

If the source data format is YUV420, the number 2n and number 2n+1 of output line is same because of using nearest neighbor interpolation in y direction.

Scaler kernel algorithm

Re-sampling is used for generating the output pixels

Up-sampling is the process of inserting new data samples between original data samples to increase the sampling rate.

Down-sampling is the process of reducing the sampling rate by removing or throwing away original data samples.



In order to generate the output pixels, first need relate the output grid to the input grid. Scaling is a pixel transformation in which an array of output pixels is generated from an array of input pixels. The value of each pixel on the output pixel grid is calculated from the values of its adjacent pixels on the input grid. To find these adjacent pixels, need overlay the output grid on the input grid and align the starting pixels, X0Y0, of the two grids. To identify the adjacent input pixels for a given output pixel, you divide the output pixel X (pixel number along the output line) and Y (pixel line number within window) by their corresponding scaling factors:

$$X_{out} = X_{in} / (\text{horizontal scaling factor})$$

where: horizontal scaling factor = input width / output width

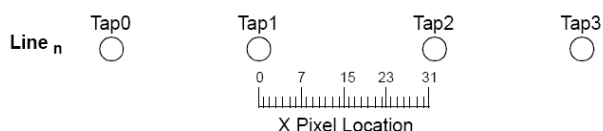
$$Y_{out} = Y_{in} / (\text{vertical scaling factor})$$

where: vertical scaling factor = input height / output height

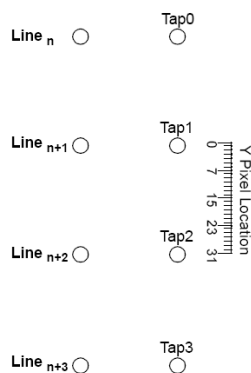
Note that the resulting X_{in} and Y_{in} values will be real numbers because the output pixels will usually fall between the input pixels. The fractional portion indicates the fractional distance to the next pixel. To calculate the output pixel value, you use the value for the nearest pixel to the left and above and combine it with the value of the other adjacent pixel(s). For example, horizontal interpolation uses the starting pixel to the left interpolated with the next pixel to the right, with the fractional value used to determine the weighting for the interpolation.

Quantizing

The new position is forced to be at a location $n/32$ in H and V relative to the position of the original pixel grid.



Horizontal quantizing



Vertical quantizing

Each output pixel's location relative to the input pixel grid is given by:

X location of output pixel = X0 of input line + output pixel number * X Scale Factor

Y location of output pixel = Y0 of input window + output line number * Y scale factor

The X and Y locations may not be integer values, depending on the scale factor. The resulting X and Y pixel locations can be separated into an integer and a fractional part. The integer part of the X and Y location selects the pixel and line number closest to the output pixel, respectively. The fractional part gives the fractional distance of the output pixel to the next X and Y input pixel

values. These fractional parts are the α and β values shown in scaling algorithm diagram.

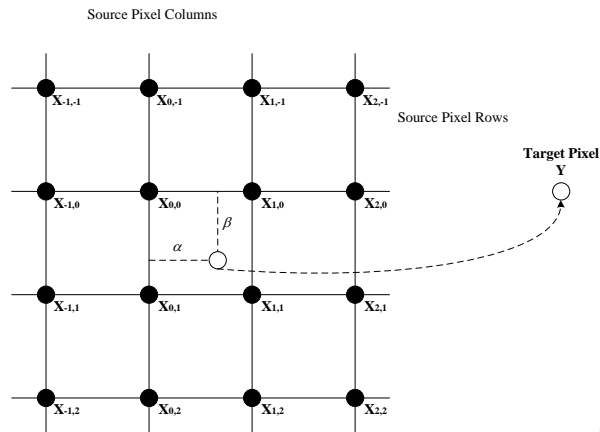
To perform scaling, the X and Y locations of the output pixel relative to the input pixel grid must be generated. This includes both the integer part to locate the adjacent pixels and the fractional part to choose the filter coefficients which generate the output value from the adjacent pixels. This could be done by generating the output pixel X and Y numbers and dividing each by its associated scale factor.

A line may start and/or end at the edge of the input image. In this case, you should use copying nearest data.

The scaler uses a 16-bit integer and a 16-bit fractional value for the X and Y increment values. This allows a fractional value resolution of 1/64K. Only the most significant 5 bits of the fractional value are used by the filter coefficient RAMs.

Scaling/Filter:

New pixels are generated by interpolation or filtering of the original pixels. Interpolation is the weighted average of the input pixels adjacent to the output pixel. Filtering extends interpolation to include input pixels beyond the input pair adjacent to the output pixel. The number of pixels used to generate the output defines the filter type. Interpolation is a 2-tap filter (A tap is equivalent to an original un-scaled pixel of data). A 4-tap filter would use the two pixels to the left and the two pixels to the right of the output pixel. And the follow is the scaling algorithm.



$$Y^{i,j} = \sum_{m=-1}^2 \sum_{n=-1}^2 X_{i+m,j+n} h_c(n-\beta) h_c(\alpha-m)$$

35.4. Register list

Module name	Base address
MP	0x01e80000

Register name	Offset	Description
MP_CTL_REG	0x0	MP control register
MP_STS_REG	0x4	MP Status register
MP_IDMAGLBCTL_REG	0x8	Input DMA globe control register
MP_IDMA_H4ADD_REG	0xC	Input DMA start address high 4bits register
MP_IDMA_L32ADD_REG	0x10 – 0x1C	Input DMA start address low 32bits register
MP_IDMALINEWIDTH_REG	0x20 – 0x2C	Input DMA line width register
MP_IDMASIZE_REG	0x30 – 0x3C	Input DMA memory block size register
MP_IDMACOOR_REG	0x40 – 0x4C	Input DMA memory block coordinate control register
MP_IDMASET_REG	0x50 – 0x5C	Input DMA setting register
MP_IDMAFILLCOLOR_REG	0x60 – 0x6C	Input DMA fill-color register
MP_CSC0CTL_REG	0x74	Color space converter 0 control register
MP_CSC1CTL_REG	0x78	Color space converter 1 control register
MP_SCACTL_REG	0x80	Scaler control register
MP_SCAOUTSIZE_REG	0x84	Scaling output size register
MP_SCAHORFCT_REG	0x88	Scaler horizontal scaling factor register
MP_SCAVERFCT_REG	0x8C	Scaler vertical scaling factor register
MP_SCAHORPHASE_REG	0x90	Scaler horizontal start phase setting



		register
MP_SCAVERPHASE_REG	0x94	Scaler vertical start phase setting register
MP_ROPCTL_REG	0xB0	ROP control register
MP_ROPIDX0CTL_REG	0xB8	ROP channel 3 index 0 control table setting register
MP_ROPIDX1CTL_REG	0xBC	ROP channel 3 index 1 control table setting register
MP_ALPHACKCTL_REG	0xC0	Alpha / Color key control register
MP_CKMIN_REG	0xC4	Color key min color register
MP_CKMAX_REG	0xC8	Color key max color register
MP_ROPOUTFILLCOLOR_REG	0xCC	Fill color of ROP output setting register
MP_CSC2CTL_REG	0xD0	Color space converter 2 control register
MP_OUTCTL_REG	0xE0	Output control register
MP_OUTSIZE_REG	0xE8	Output size register
MP_OUTH4ADD_REG	0xEC	Output address high 4bits register
MP_OUTL32ADD_REG	0xF0 – 0xF8	Output address low 32bits register
MP_OUTLINEWIDTH_REG	0x100 – 0x108	Output line width register
MP_OUTALPHACTL_REG	0x120	Output alpha control register
MP_ICSCYGCOEF_REG	0x180 – 0x188	CSC0/1 Y/G coefficient register
MP_ICSCYGCONS_REG	0x18C	CSC0/1 Y/G constant register
MP_ICSCURCOEF_REG	0x190 – 0x198	CSC0/1 U/R coefficient register
MP_ICSCURCONS_REG	0x19C	CSC0/1 U/R constant register
MP_ICSCVBCOEF_REG	0x1A0 – 0x1A8	CSC0/1 V/B coefficient register
MP_ICSCVBCONS_REG	0x1AC	CSC0/1 V/B constant register
MP_OCSCYGCOEF_REG	0x1C0 – 0x1C8	CSC2 Y/G coefficient register
MP_OCSCYGCONS_REG	0x1CC	CSC2 Y/G constant register
MP_OCSCURCOEF_REG	0x1D0 – 0x1D8	CSC2 U/R coefficient register
MP_OCSCURCONS_REG	0x1DC	CSC2 U/R constant register
MP_OCSCVBCOEF_REG	0x1E0 – 0x1E8	CSC2 V/B coefficient register
MP_OCSCVBCONS_REG	0x1EC	CSC2 V/B constant register
	0x200 – 0x27C	Scaling horizontal filtering coefficient RAM block
	0x280 – 0x2FC	Scaling vertical filtering coefficient RAM block
	0x400 – 0x7FF	Palette table



35.5. Registers description

35.5.1.MP control register

Offset: 0x0			Register Name: MP_CTL_REG
Bit	Read/W rite	Default /Hex	Description
31:10	/	/	/
9	R/W	0	HWERRIRQ_EN Hardware error IRQ enable control 0:disable 1:enable
8	R/W	0	FINISHIRQ_EN Mission finish IRQ enable control 0:disable 1:enable
7:2	/	/	/
1	R/W	0	START_CTL Start control If the bit is set, the module will start 1 frame operation and stop auto.
0	R/W	0	MP_EN Enable control 0:disable 1:enable

35.5.2.MP Status register

Offset: 0x4			Register Name: MP_STS_REG
Bit	Read/W rite	Default /Hex	Description
31:14	/	/	/
13	R	0	HWERR_FLAG Hardware error status
12	R	0	BUSY_FLAG Module working status 0:idle 1:running
11:10	/	/	/
9	R/W	0	HWERRIRQ_FLAG



			Hardware error IRQ It will be set when hardware error occur, and cleared by writing 1.
8	R/W	0	FINISHIRQ_FLAG Mission finish IRQ It will be set when 1 frame operation accomplished, and cleared by writing 1.
7:0	/	/	/

35.5.3. Input DMA globe control register

Offset: 0x8			Register Name: MP_IDMAGLBCTL_REG
Bit	Read/W rite	Default /Hex	Description
31:10	/	/	/
9:8	R/W	0	MEMSCANORDER Memory scan order selection 0: Top to down Left to right 1: Top to down Right to left 2: Down to top Left to right 3: Down to top Right to left Note: ----Four input DMA channel use the same scan rule. ----The each output DMA channel should match the same memory scan order rule with the input DMA channel.
7:0	/	/	/

35.5.4. Input DMA start address high 4bits register

Offset: 0xC			Register Name: MP_IDMA_H4ADD_REG
Bit	Read/W rite	Default /Hex	Description
31:28	/	/	/



27:24	R/W	0	IDMA3_H4ADD iDMA3 High 4bits address in bits
23:20	/	/	/
19:16	R/W	0	IDMA2_H4ADD iDMA2 High 4bits address in bits
15:12	/	/	/
11:8	R/W	0	IDMA1_H4ADD iDMA1 High 4bits address in bits
7:4	/	/	/
3:0	R/W	0	IDMA0_H4ADD iDMA0 High 4bits address in bits

35.5.5. Input DMA start address low 32bits register

Offset: iDMA0:0x10 iDMA1:0x14 iDMA2:0x18 iDMA3:0x1C			Register Name: MP_IDMA_L32ADD_REG
Bit	Read/W rite	Default /Hex	Description
31:0	R/W	0	IDMA_L32ADD iDMA Low 32bits address in bits

35.5.6. Input DMA line width register

Offset: iDMA0:0x20 iDMA1:0x24 iDMA2:0x28 iDMA3:0x2C			Register Name: MP_IDMALINEWIDTH_REG
Bit	Read/W rite	Default /Hex	Description
31:0	R/W	0	IDMA_LINEWIDTH iDMA Line width in bits

**35.5.7. Input DMA memory block size register**

Offset: iDMA0:0x30 iDMA1:0x34 iDMA2:0x38 iDMA3:0x3C			Register Name: MP_IDMASIZE_REG
Bit	Read/W rite	Default /Hex	Description
31:29	/	/	/
28:16	R/W	0	IDMA_HEIGHT Memory block height in pixels The height = The value of these bits add 1
15:13	/	/	/
12:0	R/W	0	IDMA_WIDTH Memory block width in pixels The width = The value of these bits add 1

35.5.8. Input DMA memory block coordinate control register

Offset: iDMA0:0x40 iDMA1:0x44 iDMA2:0x48 iDMA3:0x4C			Register Name: MP_IDMACOOR_REG
Bit	Read/W rite	Default /Hex	Description
31:16	R/W	0	IDMA_YCOOR Y coordinate Y is the left-top y coordinate of layer on output window in pixels The Y represent the two's complement
15:0	R/W	0	IDMA_XCOOR X coordinate X is left-top x coordinate of the layer on output window in pixels The X represent the two's complement

**35.5.9. Input DMA setting register**

Offset: iDMA0:0x50 iDMA1:0x54 iDMA2:0x58 iDMA3:0x5C			Register Name: MP_IDMASET_REG
Bit	Read/W rite	Default /Hex	Description
31:24	R/W	0	IDMA_GLBALPHA Globe alpha value
23:17	/	/	/
16	R/W	0	IDMA_FCMODEN Fill color mode enable control 0: disable 1: enable
15:12	R/W	0	IDMA_PS Input data pixel sequence Reference input pixel sequence table
11:8	R/W	0	IDMA_FMT Input data format 0x0:32bpp – A8R8G8B8 or interleaved AYUV8888 0x1:16bpp – A4R4G4B4 0x2:16bpp – A1R5G5B5 0x3:16bpp – R5G6B5 0x4:16bpp – interleaved YUV422 0x5:16bpp – U8V8 0x6:8bpp – Y8 0x7:8bpp – MONO or palette 0x8:4bpp – MONO or palette 0x9:2bpp – MONO or palette 0xa:1bpp – MONO or palette Other: reserved Note: if the input data format is 16 or 32bpp, and the work mode is palette mode, only the low 8 bits input data is valid.
7:4	R/W	0	IDMA_ROTMRCTL Rotation and mirroring control 0:normal 1:X 2:Y 3:XY



			4:A 5:AX 6:AY 7:AXY Other: reserved
3:2	R/W	0	IDMA_ALPHACTL Alpha control 0:Ignore Output alpha value = pixels alpha, if no pixel alpha, the alpha value equal 0xff 1:Globe alpha enable Ignore pixel alpha value Output alpha value = globe alpha value 2: Globe alpha mix pixel alpha Output alpha value = globe alpha value * pixels alpha value 3:Reserved Note: the output alpha value here means the input alpha value of the ALU following the DMA controller.
1	R/W	0	IDMA_WORKMOD Work mode selection 0: normal mode (non-palette mode) 1: palette mode
0	R/W	0	IDMA_EN Input DMA enable control 0:disable input DMA channel, the respective fill-color value will stand of the input data. 1:enable

35.5.10. Input DMA fill-color register

Offset: iDMA0:0x60 iDMA1:0x64 iDMA2:0x68 iDMA3:0x6C			Register Name: MP_IDMAFILLCOLOR_REG
Bit	Read/W rite	Default /Hex	Description
31:24	R/W	0	IDMA_FCALPHA Alpha



23:16	R/W	0	IDMA_FCRED Red
15:8	R/W	0	IDMA_FCGREEN Green
7:0	R/W	0	IDMA_FCBLUE Blue

35.5.11. Color space converter 0 control register

Offset: 0x74			Register Name: MP_CSC0CTL_REG
Bit	Read/W rite	Default /Hex	Description
31:8	/	/	/
7:4	R/W	0	<p>CSC0_DATAMOD Data mode control</p> <p>0: Interleaved AYUV8888 mode</p> <p>1: Interleaved YUV422 mode</p> <p>In mode 0 and mode 1, only the channel 0 data path is valid for this module, the channel 1 data flow will by-pass the csc0 module, and direct to input formatter 1.</p> <p>2: Planar YUV422 mode (UV combined only)</p> <p>3: Planar YUV420 mode (UV combined only)</p> <p>4: Planar YUV411 mode (UV combined only)</p> <p>In mode 2/3/4, following rule: ----Y component data transfer through channel 0, and UV component data transfer through channel 1. ----In this mode, the output data of the input formatter 1 will be stead of the respective fill-color value.</p>
3:1	/	/	/
0	R/W	0	<p>CSC0_EN Enable control</p> <p>0: Disable color space function, ignore the control setting, and the data flow will by-pass the module.</p>



			1: Enable color space converting function.
--	--	--	---

35.5.12. Color space converter 1 control register

Offset: 0x78			Register Name: MP_CSC1CTL_REG
Bit	Read/W rite	Default /Hex	Description
31:8	/	/	/
7:4	R/W	0	<p>CSC1_DATAMOD</p> <p>Data mode control</p> <p>0: Interleaved AYUV8888 mode</p> <p>1: Interleaved YUV422 mode</p> <p>In mode 0 and mode 1, only the channel 3 data path is valid for this module, the channel 2 data flow will by-pass the csc1 module, and direct to input formatter 2.</p> <p>2: Planar YUV422 mode (UV combined only)</p> <p>3: Planar YUV420 mode (UV combined only)</p> <p>4: Planar YUV411 mode (UV combined only)</p> <p>In mode 2/3/4, following rule: ----Y component data transfer through channel 3, and UV component data transfer through channel 2. ----In this mode, the output data of the input formatter 2 will be stead of the respective fill-color value.</p>
3:1	/	/	/
0	R/W	0	<p>CSC1_EN</p> <p>Enable control</p> <p>0: Disable color space function, ignore the control setting, and the data flow will by-pass the module.</p> <p>1: Enable color space converting function.</p>

**35.5.13. Scaler control register**

Offset: 0x80			Register Name: MP_SCACTL_REG
Bit	Read/W rite	Default /Hex	Description
31:6	/	/	/
5:4	R/W	0	SCA_ALGSEL Scaling algorithm selection 0: bi-cubic(4 taps in vertical and horizontal) 1: linear in vertical and bi-linear in horizontal(2 taps in vertical and 4 taps in horizontal) 2: extractive in vertical and bi-linear in horizontal(1 tap in vertical and 4 taps in horizontal) 3: reserved
3:1	/	/	/
0	R/W	0	SCA_EN Enable control 0: Disable scaler, ignore the whole scaling setting, and the data flow will by-pass the module. 1: Enable scaling function.

35.5.14. Scaling output size register

Offset: 0x84			Register Name: MP_SCAOUTSIZE_REG
Bit	Read/W rite	Default /Hex	Description
31:29	/	/	/
28:16	R/W	0	SCA_OUTHEIGHT Output height The output height = The value of these bits add 1 The minimum output height is 8 pixels.
15:13	/	/	/
12:0	R/W	0	SCA_OUTWIDTH Output width The output width = The value of these bits add 1 The minimum output width is 16 pixels.

**35.5.15. Scaler horizontal scaling factor register**

Offset: 0x88			Register Name: MP_SCAHORFCT_REG
Bit	Read/W rite	Default /Hex	Description
31:24	/	/	/
23:16	R/W	0	SCA_HORINTFCT The integer part of the horizontal scaling ratio the horizontal scaling ratio = input width/output width
15:00	R/W	0	SCA_HORFRAFCT The fractional part of the horizontal scaling ratio the horizontal scaling ratio = input width/output width The input width is the memory block width of respective iDMA channel.

35.5.16. Scaler vertical scaling factor register

Offset: 0x8C			Register Name: MP_SCAVERFCT_REG
Bit	Read/W rite	Default /Hex	Description
31:24	/	/	/
23:16	R/W	0	SCA_VERINTFCT The integer part of the vertical scaling ratio the vertical scaling ratio = input height/output height
15:00	R/W	0	SCA_VERFRAFCT The fractional part of the vertical scaling ratio the vertical scaling ratio = input height /output height The input height is the memory block height of respective iDMA channel.

35.5.17. Scaler horizontal start phase setting register

Offset: 0x90			Register Name: MP_SCAHORPHASE_REG
Bit	Read/W rite	Default /Hex	Description
31:20	/	/	/
19:00	R/W	0	SCA_HORPHASE



			Start phase in horizontal (complement) This value equals to start phase * 2 ¹⁶
--	--	--	--

35.5.18. Scaler vertical start phase setting register

Offset: 0x94			Register Name: MP_SCAVERPHASE_REG
Bit	Read/W rite	Default /Hex	Description
31:20	/	/	/
19:00	R/W	0	SCA_VERPHASE Start phase in vertical (complement) This value equals to start phase * 2 ¹⁶

35.5.19. ROP control register

Offset: 0xB0			Register Name: MP_ROPCTL_REG
Bit	Read/W rite	Default /Hex	Description
31:16	/	/	/
15:14	R/W	0	ROP_ALPHABYPASSESEL ROP output Alpha channel selection 0: channel 0 1: channel 1 2: channel 2 3:reserved Note: the bit is only valid in by-pass mode of Alpha channel
13:12	R/W	0	ROP_REDBYPASSESEL ROP output Red channel selection 0: channel 0 1: channel 1 2: channel 2 3:reserved Note: the bit is only valid in by-pass mode of Red channel
11:10	R/W	0	ROP_GREENBYPASSESEL ROP output Green channel selection 0: channel 0 1: channel 1 2: channel 2 3:reserved



			Note: the bit is only valid in by-pass mode of Green channel
9:8	R/W	0	<p>ROP_BLUEBYPASSEL ROP output Blue channel selection 0: channel 0 1: channel 1 2: channel 2 3:reserved</p> <p>Note: the bit is only valid in by-pass mode of Blue channel</p>
7	R/W	0	<p>ROP_ALPHABYPASSEN ROP Alpha channel by-pass enable control 0:pass through 1:by-pass</p>
6	R/W	0	<p>ROP_REDBYPASSEN ROP Red channel by-pass enable control 0:pass through 1:by-pass</p>
5	R/W	0	<p>ROP_GREENBYPASSEN ROP Green channel by-pass enable control 0:pass through 1:by-pass</p>
4	R/W	0	<p>ROP_BLUEBYPASSEN ROP Blue channel by-pass enable control 0:pass through 1:by-pass</p>
3:1	/	/	/
0	R/W	0	<p>ROP_MOD ROP type selection 0:ROP3 1:ROP4</p> <p>----In ROP3 mode, only the value of ‘channel 3 index 0 control table setting register’ will be selected. ----In ROP3 mode, the channel 3 data will by-pass the ROP module. ----In ROP3 mode, the channel 3 data will direct to Alpha/CK module. ----In ROP4 mode, the respective input DMA channel fill color of channel 3 will transfer to Alpha/CK module.</p>

**35.5.20. ROP channel 3 index 0 control table setting register**

Offset: 0xB8			Register Name: MP_ROPIDX0CTL_REG
Bit	Read/W rite	Default /Hex	Description
31:16	/	/	/
15	R/W	0	NOD7_CTL Index 0 node7 setting (channel 0' and channel 1' and channel 2' mix not logic) 0:by-pass 1:not
14:11	R/W	0	NOD6_CTL Index 0 node6 setting (channel 0' and channel 1' and channel 2' mix logic) 0:and 1:or 2:xor 3:add in byte 4:add in word (32bit) 5:multiply in byte 6:multiply in word (32bit) 7:channel 0' mix channel 1' then sub channel 2' in byte 8:channel 0' mix channel 1' then sub channel 2' in word (32bit) Other: Reserved
10	R/W	0	NOD5_CTL Index 0 node5 setting (channel 0' and channel 1' mix not logic) 0:by-pass 1:not
9:6	R/W	0	NOD4_CTL Index 0 node4 setting (channel 0' and channel 1' mix logic) 0:and 1:or 2:xor 3:add in byte 4:add in word (32bit) 5:multiply in byte 6:multiply in word (32bit) 7:channel 0' sub channel 1' in byte 8:channel 0' sub channel 1' in word (32bit) Other: Reserved
5	R/W	0	NOD3_CTL Index 0 node3 setting (channel 2' not logic)



			0:by-pass 1:not
4	R/W	0	NOD2_CTL Index 0 node2 setting (channel 1' not logic) 0:by-pass 1:not
3	R/W	0	NOD1_CTL Index 0 node1 setting (channel 0' not logic) 0:by-pass 1:not
2:0	R/W	0	NOD0_CTL Index 0 node0 setting (sorting control) 0:012 1:021 2:102 3:120 4:201 5:210 Other: Reserved

Note: the result of the add or multiply operation will select the high 8 (byte operation) or 32bits (word operation).

35.5.21. ROP channel 3 index 1 control table setting register

Offset: 0xBC			Register Name: MP_ROPIDX1CTL_REG
Bit	Read/W rite	Default /Hex	Description
31:16	/	/	/
15	R/W	0	NOD7_CTL Index 1 node7 setting (channel 0' and channel 1' and channel 2' mix not logic) 0:by-pass 1:not
14:11	R/W	0	NOD6_CTL Index 1 node6 setting (channel 0' and channel 1' and channel 2' mix logic) 0:and 1:or 2:xor 3:add in byte 4:add in word (32bit) 5:multiply in byte



			6:multiply in word (32bit) 7:channel 0' mix channel 1' then sub channel 2' in byte 8:channel 0' mix channel 1' then sub channel 2' in word (32bit) Other: Reserved
10	R/W	0	NOD5_CTL Index 1 node5 setting (channel 0' and channel 1' mix not logic) 0:by-pass 1:not
9:6	R/W	0	NOD4_CTL Index 1 node4 setting (channel 0' and channel 1' mix logic) 0:and 1:or 2:xor 3:add in byte 4:add in word (32bit) 5:multiply in byte 6:multiply in word (32bit) 7:channel 0' sub channel 1' in byte 8:channel 0' sub channel 1' in word (32bit) Other: Reserved
5	R/W	0	NOD3_CTL Index 1 node3 setting (channel 2' not logic) 0:by-pass 1:not
4	R/W	0	NOD2_CTL Index 1 node2 setting (channel 1' not logic) 0:by-pass 1:not
3	R/W	0	NOD1_CTL Index 1 node1 setting (channel 0' not logic) 0:by-pass 1:not
2:0	R/W	0	NOD0_CTL Index 1 node0 setting (sorting control) 0:012 1:021 2:102 3:120 4:201 5:210 Other: Reserved

Note: the result of the add or multiply operation will select the high 8 (byte operation) or 32bits (word operation).

**35.5.22. Alpha / Color key control register**

Offset: 0xC0			Register Name: MP_ALPHACKCTL_REG
Bit	Read/W rite	Default /Hex	Description
31:11	/	/	/
10	R/W	0	<p>CK_REDCON Red control condition 0: if (R value of ck min color) <= (R value of layer0) <= (R value of ck max color), The red control condition is true, else the condition is false.</p> <p>1: if (R value of ck min color) > (R value of layer0) or (R value of layer0) > (R value of ck max color), The red control condition is true, else the condition is false.</p>
9	R/W	0	<p>CK_GREENCON Green control condition 0: if (G value of ck min color) <= (G value of layer0) <= (G value of ck max color), The green control condition is true, else the condition is false.</p> <p>1: if (G value of ck min color) > (G value of layer0) or (G value of layer0) > (G value of ck max color), The green control condition is true, else the condition is false.</p>
8	R/W	0	<p>CK_BLUECON Blue control condition 0: if (B value of ck min color) <= (B value of layer0) <= (B value of ck max color), The blue control condition is true, else the condition is false.</p> <p>1: if (B value of ck min color) > (B value of layer0) or (B value of layer0) > (B value of ck max color), The blue control condition is true, else the condition is false.</p>
7:5	/	/	/
4	R/W	0	<p>PRI Priority selection 0: ROP output channel is higher than channel 3 1: Channel 3 is higher than ROP output channel</p>
3	/	/	/
2:1	R/W	0	<p>ALPHACK_MOD Alpha / Color key mode selection 0: alpha mode</p>



			<p>1: color key mode, using the high priority layer as matching condition, if it is true, the low priority layer pass.</p> <p>2: color key mode, using the low priority layer as matching condition, if it is true, the high priority layer pass.</p> <p>3: Reserved</p>
0	R/W	0	<p>ALPHACK_EN</p> <p>Enable control</p> <p>0: the ROP data will by-pass the alpha/ck module</p> <p>1: enable</p> <p>Note: if the module is disabled, the data of channel 3 will be ignored, and only the ROP data will pass through to CSC2 module.</p>

35.5.23. Color key min color register

Offset: 0xC4			Register Name: MP_CKMIN_REG
Bit	Read/W rite	Default /Hex	Description
31:24	/	/	/
23:16	R/W	0	CKMIN_R Red
15:8	R/W	0	CKMIN_G Green
7:0	R/W	0	CKMIN_B Blue

35.5.24. Color key max color register

Offset: 0xC8			Register Name: MP_CKMAX_REG
Bit	Read/W rite	Default /Hex	Description
31:24	/	/	/
23:16	R/W	0	CKMAX_R Red
15:8	R/W	0	CKMAX_G Green
7:0	R/W	0	CKMAX_B Blue

**35.5.25. Fill color of ROP output setting register**

Offset: 0xCC			Register Name: MP_ROPOUTFILLCOLOR_REG
Bit	Read/W rite	Default /Hex	Description
31:24	R/W	0	Alpha
23:16	R/W	0	Red
15:8	R/W	0	Green
7:0	R/W	0	Blue

35.5.26. Color space converter 2 control register

Offset: 0xD0			Register Name: MP_CSC2CTL_REG
Bit	Read/W rite	Default /Hex	Description
31:1	/	/	/
0	R/W	0	CSC2_EN Enable control 0: Disable color space function, ignore the control setting, and the data flow will by-pass the module. 1: Enable color space converting function.

35.5.27. Output control register

Offset: 0xE0			Register Name: MP_OUTCTL_REG
Bit	Read/W rite	Default /Hex	Description
31:12	/	/	/
11:8	R/W	0	OUT_PS Output data pixel sequence Reference output pixel sequence table
7	R/W	0	RND_EN Round enable 0:disabled 1:enabled
6:4	/	/	/
3:0	R/W	0	OUT_FMT



		<p>Output data format</p> <p>0x0: 32bpp – A8R8G8B8 or interleaved AYUV8888</p> <p>0x1: 16bpp – A4R4G4B4</p> <p>0x2: 16bpp – A1R5G5B5</p> <p>0x3: 16bpp – R5G6B5</p> <p>0x4: 16bpp – interleaved YUV422</p> <p>0x5: planar YUV422 (UV combined)</p> <p>0x6: planar YUV422</p> <p>0x7: 8bpp – MONO</p> <p>0x8: 4bpp – MONO</p> <p>0x9: 2bpp – MONO</p> <p>0xa: 1bpp – MONO</p> <p>0xb: planar YUV420 (UV combined)</p> <p>0xc: planar YUV420</p> <p>0xd: planar YUV411 (UV combined)</p> <p>0xe: planar YUV411</p> <p>Other: reserved</p> <p>Note: In all YUV output data format, the CSC2 must be enabled, otherwise the output data mode will be 32bpp A8R8G8B8 mode.</p>
--	--	---

Output data mode and output data ports mapping:

Output data mode	Output data channel selection		
	Channel 0	Channel 1	Channel 2
A8R8G8B8 or interleaved AYUV8888	ARGB or AYUV	Ignore	Ignore
A4R4G4B4	ARGB	Ignore	Ignore
A1R5G5B5	ARGB	Ignore	Ignore
R5G6B5	RGB	Ignore	Ignore
interleaved YUV422	YUV	Ignore	Ignore
planar YUV422 (UV combined)	Y	UV	Ignore
planar YUV422	Y	U	V
8bpp – MONO	MONO	Ignore	Ignore
4bpp – MONO	MONO	Ignore	Ignore
2bpp – MONO	MONO	Ignore	Ignore
1bpp – MONO	MONO	Ignore	Ignore
planar YUV420 (UV combined)	Y	UV	Ignore
planar YUV420	Y	U	V
planar YUV411 (UV combined)	Y	UV	Ignore
planar YUV411	Y	U	V

**35.5.28. Output size register**

Offset: 0xE8			Register Name: MP_OUTSIZE_REG
Bit	Read/W rite	Default /Hex	Description
31:29	/	/	/
28:16	R/W	0	OUT_HEIGHT Height The value add 1 equal the actual output image height
15:11	/	/	/
12:0	R/W	0	OUT_WIDTH Width The value add 1 equal the actual output image width

35.5.29. Output address high 4bits register

Offset: 0xEC			Register Name: MP_OUTH4ADD_REG
Bit	Read/W rite	Default /Hex	Description
31:20	/	/	/
19:16	R/W	0	OUTCH2_H4ADD Output channel 2 High 4bits address in bits
15:12	/	/	/
11:8	R/W	0	OUTCH1_H4ADD Output channel 1 High 4bits address in bits
7:4	/	/	/
3:0	R/W	0	OUTCH0_H4ADD Output channel 0 High 4bits address in bits

35.5.30. Output address low 32bits register

Offset: Out channel 0:0xF0 Out channel 1:0xF4 Out channel 2:0xF8			Register Name: MP_OUTL32ADD_REG
Bit	Read/W rite	Default /Hex	Description



31:0	R/W	0	OUT_L32ADD Output channel Low 32bits address in bits
------	-----	---	---

35.5.31. Output line width register

Offset: Out channel 0:0x100 Out channel 1:0x104 Out channel 2:0x108			Register Name: MP_OUTLINEWIDTH_REG
Bit	Read/W rite	Default /Hex	Description
31:0	R/W	0	OUT_LINEWIDTH Output channel Line width in bits

35.5.32. Output alpha control register

Offset: 0x120			Register Name: MP_OUTALPHACTL_REG
Bit	Read/W rite	Default /Hex	Description
31:24	R/W	0	IMG_ALPHA Output image area alpha value, the image area include A0,A1 and overlapping area A2.
23:16	R/W	0	NONIMG_ALPHA Output non-image area alpha value, the non-image area means the pure fill color area.
15:8	/	/	/
7:6	R/W	0	A2ALPHACTL A2 area alpha value control 0: using A0 self pixel alpha (A0pA) 1: using A1 self pixel alpha (A1pA) 2: the alpha value = A0pA + A1pA * (1 - A0pA) 3: using the Output image area alpha value (bit31:24)
5:4	R/W	0	A3ALPHACTL A3 area alpha value control 0: 0xff 1: using the Output non-image area alpha value (bit23:16) Other: reserved
3:2	R/W	0	A1ALPHACTL A1 area alpha value control



			0: using A1 self pixel alpha 1: using the Output image area alpha value (bit31:24) Other: reserved
1:0	R/W	0	A0ALPHACTL A0 area alpha value control 0: using A0 self pixel alpha 1: using the Output image area alpha value (bit31:24) Other: reserved

Description:

There is some area in output memory block:

The alpha / color key module is enabled:

Only the high priority image area is called A0

Only the low priority image area is called A1

The high priority and low priority mixed image area is called A2

The other area is called A3

And the A0,A1,A2 is called image area, the A3 is called non-image area.

The alpha / color key module is disabled:

Only the ROP output image area is called A0, A0 is called image area.

The other area is called A3, A3 is called non-image area.

Note: the register setting is only valid in ARGB or AYUV mode.

35.5.33. CSC0/1 Y/G coefficient register

Offset: G/Y component: 0x180 R/U component: 0x184 B/V component: 0x188			Register Name: MP_ICSCYGCDEF_REG
Bit	Read/W rite	Default /Hex	Description
31:29	/	/	/
28:16	R/W	0x4a7 0x1e6f 0x1cbf	CSC1_YGCOEF the Y/G coefficient for CSC1 the value equals to coefficient*2 ¹⁰
15:13	/	/	/
12:00	R/W	0x4a7 0x1e6f 0x1cbf	CSC0_YGCOEF the Y/G coefficient for CSC0 the value equals to coefficient*2 ¹⁰

**35.5.34. CSC0/1 Y/G constant register**

Offset: 0x18C			Register Name: MP_ICSCYGCNS_REG
Bit	Read/W rite	Default /Hex	Description
31:30	/	/	/
29:16	R/W	0x877	CSC1_YGCNS the Y/G constant for CSC1 the value equals to coefficient*2 ⁴
15:14	/	/	/
13:00	R/W	0x877	CSC0_YGCNS the Y/G constant for CSC0 the value equals to coefficient*2 ⁴

35.5.35. CSC0/1 U/R coefficient register

Offset: G/Y component: 0x190 R/U component: 0x194 B/V component: 0x198			Register Name: MP_ICSCURCOEF_REG
Bit	Read/W rite	Default /Hex	Description
31:29	/	/	/
28:16	R/W	0x4a7 0x00 0x662	CSC1_URCOEF the U/R coefficient for CSC1 the value equals to coefficient*2 ¹⁰
15:13	/	/	/
12:00	R/W	0x4a7 0x00 0x662	CSC0_URCOEF the U/R coefficient for CSC0 the value equals to coefficient*2 ¹⁰

35.5.36. CSC0/1 U/R constant register

Offset: 0x19C			Register Name: MP_ICSCURCONS_REG
Bit	Read/W rite	Default /Hex	Description
31:30	/	/	/
29:16	R/W	0x3211	CSC1_URCONS the U/R constant for CSC1 the value equals to coefficient*2 ⁴



15:14	/	/	/
13:00	R/W	0x3211	CSC0_URCONS the U/R constant for CSC0 the value equals to coefficient*2 ⁴

35.5.37. CSC0/1 V/B coefficient register

Offset: G/Y component: 0x1A0 R/U component: 0x1A4 B/V component: 0x1A8			Register Name: MP_ICSCVBCOEF_REG
Bit	Read/W rite	Default /Hex	Description
31:29	/	/	/
28:16	R/W	0x4a7 0x812 0x00	CSC1_VBCOEF the V/B coefficient for CSC1 the value equals to coefficient*2 ¹⁰
15:13	/	/	/
12:00	R/W	0x4a7 0x812 0x00	CSC0_VBCOEF the V/B coefficient for CSC0 the value equals to coefficient*2 ¹⁰

35.5.38. CSC0/1 V/B constant register

Offset: 0x1AC			Register Name: MP_ICSCVBCONS_REG
Bit	Read/W rite	Default /Hex	Description
31:30	/	/	/
29:16	R/W	0x2eb1	CSC1_VBCONS the V/B constant for CSC1 the value equals to coefficient*2 ⁴
15:14	/	/	/
13:00	R/W	0x2eb1	CSC0_VBCONS the V/B constant for CSC0 the value equals to coefficient*2 ⁴

35.5.39. CSC2 Y/G coefficient register

Offset: G/Y component: 0x1C0			Register Name: MP_OCSCYGCDEF_REG
---	--	--	---



R/U component: 0x1C4			
B/V component: 0x1C8			
Bit	Read/W rite	Default /Hex	Description
31:13	/	/	/
12:00	R/W		CSC2_YGCOEF the Y/G coefficient the value equals to coefficient*2 ¹⁰

35.5.40. CSC2 Y/G constant register

Offset: 0x1CC			Register Name: MP_OCSCYGCNS_REG
Bit	Read/W rite	Default /Hex	Description
31:14	/	/	/
13:00	R/W		CSC2_YGCONS the Y/G constant the value equals to coefficient*2 ⁴

35.5.41. CSC2 U/R coefficient register

Offset:			Register Name: MP_OCSCURCOEF_REG
G/Y component: 0x1D0			
R/U component: 0x1D4			
B/V component: 0x1D8			
Bit	Read/W rite	Default /Hex	Description
31:13	/	/	/
12:00	R/W		CSC2_URCOEF the U/R coefficient the value equals to coefficient*2 ¹⁰

35.5.42. CSC2 U/R constant register

Offset: 0x1DC			Register Name: MP_OCSCURCONS_REG
Bit	Read/W rite	Default /Hex	Description
31:14	/	/	/
13:00	R/W		CSC2_URCONS the U/R constant



			the value equals to coefficient*2 ⁴
--	--	--	--

35.5.43. CSC2 V/B coefficient register

Offset: G/Y component: 0x1E0 R/U component: 0x1E4 B/V component: 0x1E8			Register Name: MP_OCSCVBCOEF_REG
Bit	Read/W rite	Default /Hex	Description
31:13	/	/	/
12:00	R/W		CSC2_VBCOEF the V/B coefficient the value equals to coefficient*2 ¹⁰

35.5.44. CSC2 V/B constant register

Offset: 0x1EC			Register Name: MP_OCSCVBCONS_REG
Bit	Read/W rite	Default /Hex	Description
31:30	/	/	/
13:00	R/W		CSC2_VBCONS the V/B constant the value equals to coefficient*2 ⁴

35.5.45. Scaling horizontal filtering coefficient RAM block

Offset: 0x200 – 0x27C			
Bit	Read/W rite	Default /Hex	Description
31:24	R/W	0	Horizontal tap3 coefficient The value equals to coefficient*2 ⁶
23:16	R/W	0	Horizontal tap2 coefficient The value equals to coefficient*2 ⁶
15:08	R/W	0	Horizontal tap1 coefficient The value equals to coefficient*2 ⁶



07:00	R/W	0	Horizontal tap0 coefficient The value equals to coefficient*2 ⁶
-------	-----	---	---

35.5.46. Scaling vertical filtering coefficient RAM block

Offset: 0x280 – 0x2FC			
Bit	Read/W rite	Default /Hex	Description
31:24	R/W	0	Vertical tap3 coefficient The value equals to coefficient*2 ⁶
23:16	R/W	0	Vertical tap2 coefficient The value equals to coefficient*2 ⁶
15:08	R/W	0	Vertical tap1 coefficient The value equals to coefficient*2 ⁶
07:00	R/W	0	Vertical tap0 coefficient The value equals to coefficient*2 ⁶

35.5.47. Palette table

Offset: 0x400-0x7FF			
Bit	Read/W rite	Default /Hex	Description
31:24	R/W	UDF	Alpha value
23:16	R/W	UDF	Red value
15:08	R/W	UDF	Green value
07:00	R/W	UDF	Blue value

Input data pixel sequence table

Note: x means no care

1-bpp mode

PS=xx00

Bit

31 30 29 28 27 26 25 24 23 22 21 20 19 18 17 16



P3	P3	P2	P2	P2	P2	P2	P2	P2	P2	P2	P2	P1	P1	P1	P1
1	0	9	8	7	6	5	4	3	2	1	0	9	8	7	6
P1	P1	P1	P1	P1	P1	P0	P0	P0	P0	P0	P0	P0	P0	P0	P0
5	4	3	2	1	0	9	8	7	6	5	4	3	2	1	0

15 14 13 12 11 10 09 08 07 06 05 04 03 02 01 00

PS=xx01

Bit

31 30 29 28 27 26 25 24 23 22 21 20 19 18 17 16

P2	P2	P2	P2	P2	P2	P3	P3	P1	P1	P1	P1	P2	P2	P2	P2
4	5	6	7	8	9	0	1	6	7	8	9	0	1	2	3
P0	P0	P1	P1	P1	P1	P1	P1	P0	P0	P0	P0	P0	P0	P0	P0
8	9	0	1	2	3	4	5	0	1	2	3	4	5	6	7

15 14 13 12 11 10 09 08 07 06 05 04 03 02 01 00

PS=xx10

Bit

31 30 29 28 27 26 25 24 23 22 21 20 19 18 17 16

P0	P0	P0	P0	P0	P0	P0	P0	P1	P1	P1	P1	P1	P1	P0	P0
7	6	5	4	3	2	1	0	5	4	3	2	1	0	9	8
P2	P2	P2	P2	P1	P1	P1	P1	P3	P3	P2	P2	P2	P2	P2	P2
3	2	1	0	9	8	7	6	1	0	9	8	7	6	5	4

15 14 13 12 11 10 09 08 07 06 05 04 03 02 01 00

PS=xx11

Bit

31 30 29 28 27 26 25 24 23 22 21 20 19 18 17 16

P0	P0	P0	P0	P0	P0	P0	P0	P0	P0	P1	P1	P1	P1	P1	P1
0	1	2	3	4	5	6	7	8	9	0	1	2	3	4	5
P1	P1	P1	P1	P2	P2	P2	P2	P2	P2	P2	P2	P2	P2	P3	P3
6	7	8	9	0	1	2	3	4	5	6	7	8	9	0	1

15 14 13 12 11 10 09 08 07 06 05 04 03 02 01 00

2-bpp mode

PS=xx00

Bit

31 30 29 28 27 26 25 24 23 22 21 20 19 18 17 16

P15	P14	P13	P12	P11	P10	P09	P08
P07	P06	P05	P04	P03	P02	P01	P00

15 14 13 12 11 10 09 08 07 06 05 04 03 02 01 00

PS=xx01

Bit

31 30 29 28 27 26 25 24 23 22 21 20 19 18 17 16

P12	P13	P14	P15	P08	P09	P10	P11
P04	P05	P06	P07	P00	P01	P02	P03



15 14 13 12 11 10 09 08 07 06 05 04 03 02 01 00
PS=xx10

Bit

31 30 29 28 27 26 25 24 23 22 21 20 19 18 17 16

P03	P02	P01	P00	P07	P06	P05	P04
P11	P10	P09	P08	P15	P14	P13	P12

15 14 13 12 11 10 09 08 07 06 05 04 03 02 01 00
PS=xx11

Bit

31 30 29 28 27 26 25 24 23 22 21 20 19 18 17 16

P00	P01	P02	P03	P04	P05	P06	P07
P08	P09	P10	P11	P12	P13	P14	P15

15 14 13 12 11 10 09 08 07 06 05 04 03 02 01 00

4-bpp mode

PS=xx00

Bit

31 30 29 28 27 26 25 24 23 22 21 20 19 18 17 16

P07	P06	P05	P04
P03	P02	P01	P00

15 14 13 12 11 10 09 08 07 06 05 04 03 02 01 00
PS=xx01

Bit

31 30 29 28 27 26 25 24 23 22 21 20 19 18 17 16

P06	P07	P04	P05
P02	P03	P00	P01

15 14 13 12 11 10 09 08 07 06 05 04 03 02 01 00
PS=xx10

Bit

31 30 29 28 27 26 25 24 23 22 21 20 19 18 17 16

P01	P00	P03	P02
P05	P04	P07	P06

15 14 13 12 11 10 09 08 07 06 05 04 03 02 01 00
PS=xx11

Bit

31 30 29 28 27 26 25 24 23 22 21 20 19 18 17 16

P00	P01	P02	P03
P04	P05	P06	P07

15 14 13 12 11 10 09 08 07 06 05 04 03 02 01 00

8-bpp mode

PS=xx00 / xx11

Bit



31	30	29	28	27	26	25	24	23	22	21	20	19	18	17	16
P3								P2							
P1								P0							

15 14 13 12 11 10 09 08 07 06 05 04 03 02 01 00
 PS=xx01 / xx10

Bit

31	30	29	28	27	26	25	24	23	22	21	20	19	18	17	16
P0								P1							
P2								P3							

15 14 13 12 11 10 09 08 07 06 05 04 03 02 01 00

16-bpp @ A4R4G4B4 mode

PS=0x00

Bit

31	30	29	28	27	26	25	24	23	22	21	20	19	18	17	16
A1				R1				G1				B1			
A0				R0				G0				B0			

15 14 13 12 11 10 09 08 07 06 05 04 03 02 01 00
 PS=0x01

Bit

31	30	29	28	27	26	25	24	23	22	21	20	19	18	17	16
A0				R0				G0				B0			
A1				R1				G1				B1			

15 14 13 12 11 10 09 08 07 06 05 04 03 02 01 00
 PS=0x10

Bit

31	30	29	28	27	26	25	24	23	22	21	20	19	18	17	16
B1				G1				R1				A1			
B0				G0				R0				A0			

15 14 13 12 11 10 09 08 07 06 05 04 03 02 01 00
 PS=0x11

Bit

31	30	29	28	27	26	25	24	23	22	21	20	19	18	17	16
B0				G0				R0				A0			
B1				G1				R1				A1			

15 14 13 12 11 10 09 08 07 06 05 04 03 02 01 00

PS=1xxx, the R component is swapped with B component

16-bpp @ A1R5G5B5 mode

PS=0x00

Bit

31 30 29 28 27 26 25 24 23 22 21 20 19 18 17 16



A1	R1	G1	B1
A0	R0	G0	B0

15 14 13 12 11 10 09 08 07 06 05 04 03 02 01 00

PS=0x01

Bit

31 30 29 28 27 26 25 24 23 22 21 20 19 18 17 16

A0	R0	G0	B0
A1	R1	G1	B1

15 14 13 12 11 10 09 08 07 06 05 04 03 02 01 00

PS=0x10

Bit

31 30 29 28 27 26 25 24 23 22 21 20 19 18 17 16

B1	G1	R1	A1
B0	G0	R0	A0

15 14 13 12 11 10 09 08 07 06 05 04 03 02 01 00

PS=0x11

Bit

31 30 29 28 27 26 25 24 23 22 21 20 19 18 17 16

B0	G0	R0	A0
B1	G1	R1	A1

15 14 13 12 11 10 09 08 07 06 05 04 03 02 01 00

PS=1xxx, the R component is swapped with B component

16-bpp @ R5G6B5 mode

PS=0x00

Bit

31 30 29 28 27 26 25 24 23 22 21 20 19 18 17 16

R1	G1	B1
R0	G0	B0

15 14 13 12 11 10 09 08 07 06 05 04 03 02 01 00

PS=0x01

Bit

31 30 29 28 27 26 25 24 23 22 21 20 19 18 17 16

R0	G0	B0
R1	G1	B1

15 14 13 12 11 10 09 08 07 06 05 04 03 02 01 00

PS=1xxx, the R component is swapped with B component



16-bpp @ interleaved YUV422 mode

PS=xx00 / xx11

Bit

31 30 29 28 27 26 25 24 23 22 21 20 19 18 17 16

V0	Y1
U0	Y0

15 14 13 12 11 10 09 08 07 06 05 04 03 02 01 00

PS=xx01 / xx10

Bit

31 30 29 28 27 26 25 24 23 22 21 20 19 18 17 16

Y1	V0
Y0	U0

15 14 13 12 11 10 09 08 07 06 05 04 03 02 01 00

16-bpp @ U8V8 mode

PS=xxxx

Bit

31 30 29 28 27 26 25 24 23 22 21 20 19 18 17 16

V1	U1
V0	U0

15 14 13 12 11 10 09 08 07 06 05 04 03 02 01 00

32-bpp ARGB or AYUV mode

PS=xx00 / xx01

Bit

31 30 29 28 27 26 25 24 23 22 21 20 19 18 17 16

A	R (Y)
G (U)	B (V)

15 14 13 12 11 10 09 08 07 06 05 04 03 02 01 00

PS=xx10 / xx11

Bit

31 30 29 28 27 26 25 24 23 22 21 20 19 18 17 16

B (V)	G (U)
R (Y)	A

15 14 13 12 11 10 09 08 07 06 05 04 03 02 01 00

PS=1xxx, the R component is swapped with B component

Output data pixel sequence

32bpp – A8R8G8B8 or interleaved AYUV8888

16bpp – A4R4G4B4

16bpp – A1R5G5B5



16bpp – R5G6B5
16bpp – interleaved YUV422
Planar YUV422 (UV combined)
8bpp – MONO
4bpp – MONO
2bpp – MONO
1bpp – MONO
Planar YUV420 (UV combined)
Planar YUV411 (UV combined)

The above 13 kinds of output format is same as respective input format PS.

Planar YUV422
Planar YUV420
Planar YUV411

The above 3 kinds of output format is same as input 8bpp format PS.



36. Declaration

This A10 user manual is the original work and copyrighted property of Allwinner Technology (“Allwinner”). Reproduction in whole or in part must obtain the written approval of Allwinner and give clear acknowledgement to the copyright owner.

The information furnished by Allwinner is believed to be accurate and reliable. Allwinner reserves the right to make changes in circuit design and/or specifications at any time without notice. Allwinner does not assume any responsibility and liability for its use. Nor for any infringements of patents or other rights of the third parties which may result from its use. No license is granted by implication or otherwise under any patent or patent rights of Allwinner. This user manual neither states nor implies warranty of any kind, including fitness for any particular application.